

BRADY MINIMARK™ INDUSTRIAL LABEL PRINTER

User Manual

Copyright

This manual is copyrighted with all rights reserved. No portion of this manual may be copied or reproduced by any means without the prior consent of Brady Worldwide, Inc. While every precaution has been taken in preparation of this document, Brady assumes no liability to any party for any loss or damage caused by errors or omissions or by statements resulting from negligence, accident, or any other cause. Brady further assumes no liability arising out of the application or use of any product or system described, herein; nor any liability for incidental or consequential damages arising from the use of this document. Brady disclaims all warranties of merchantability or fitness for a particular purpose. Brady reserves the right to make changes without further notice to any product or system herein to improve reliability, function, or design. Reproduction of this material, in part or whole, is strictly prohibited without the written permission of Brady Worldwide, Inc.

Every effort has been made to make this guide as accurate and complete as possible. Brady Worldwide, Inc. is not responsible for labeling inaccuracies and omissions occurring during the use of this guide. This manual is proprietary to Brady Worldwide, Inc. and may be revised from time to time without notice. Brady Worldwide, Inc. disclaims any understanding to provide you with revisions, if any. All brand or product names referenced in this manual are trademarks or registered trademarks of their respective companies or organizations.

MINIMARK™ and MarkWare™ are registered trademarks of Brady Worldwide, Inc. Windows is a trademark of the Microsoft Corporation.

© 2005 Brady Worldwide, Inc. All rights reserved.

NOTE: This equipment has been tested and found to comply with the limits for a Class A digital device, pursuant to part 15 of the FCC Rules. These limits are designed to provide reasonable protection against harmful interference when the equipment is operated in a commercial environment. This equipment generates, uses and can radiate radio frequency energy and, if not installed and used in accordance with the instruction manual, may cause harmful interference to radio communications. Operation of this equipment in a residential area is likely to cause harmful interference in which case the user will be required to correct the interference at his own expense.

This device complies with part 15 of the FCC Rules. Operation is subject to the following two conditions: (1) This device may not cause harmful interference, and (2) this device must accept any interference received, including interference that may cause undesired operation.

This ISM device complies with Canadian ICES – 001

Caution: Any changes or modifications not expressly approved by the party responsible for compliance could void the user's authority to operate the equipment.

This device is compliant per RoHS directive 2002/95/EC.

English

Contents

| | |
|---|----|
| 1. Checking Your Box..... | 4 |
| 2. Power Supply | 5 |
| 3. Parts and Features | 6 |
| 4. Loading the Ribbon | 8 |
| 5. Loading the Media | 13 |
| 6. Operator Controls..... | 18 |
| 7. Performing Calibration..... | 19 |
| 8. Hooking up the Printer and Computer..... | 19 |
| 9. MINIMARK Print Driver..... | 21 |
| 10. Troubleshooting | 23 |
| 11. Caring for Your Printer..... | 26 |
| 12. Reference Technical Information | 27 |

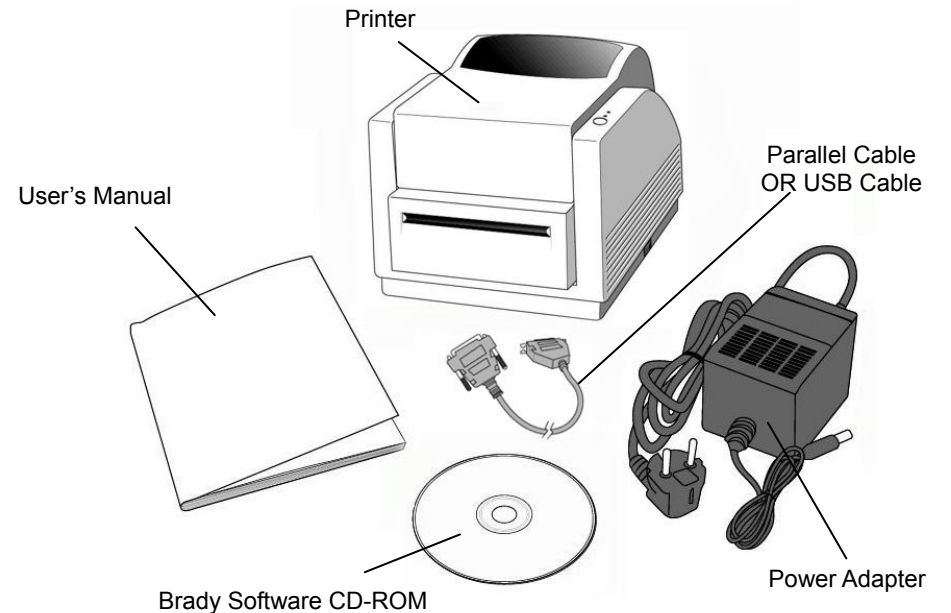
1. Checking Your Box

Receiving the box of your printer, you are advised to check first for the possible shipping damage. There are two ways you can do it:

1. Inspect the outer appearances of both the box and the printer for possible damage.
2. Raise the top cover of the printer to see if the media compartments are in order.

If damages did occur, immediately file the claim to the shipping company for settlement.

Having performed the primary inspections, next step, please check whether you have received the following accessories together with the printer. If there is any item missing, contact your local dealer to get it.

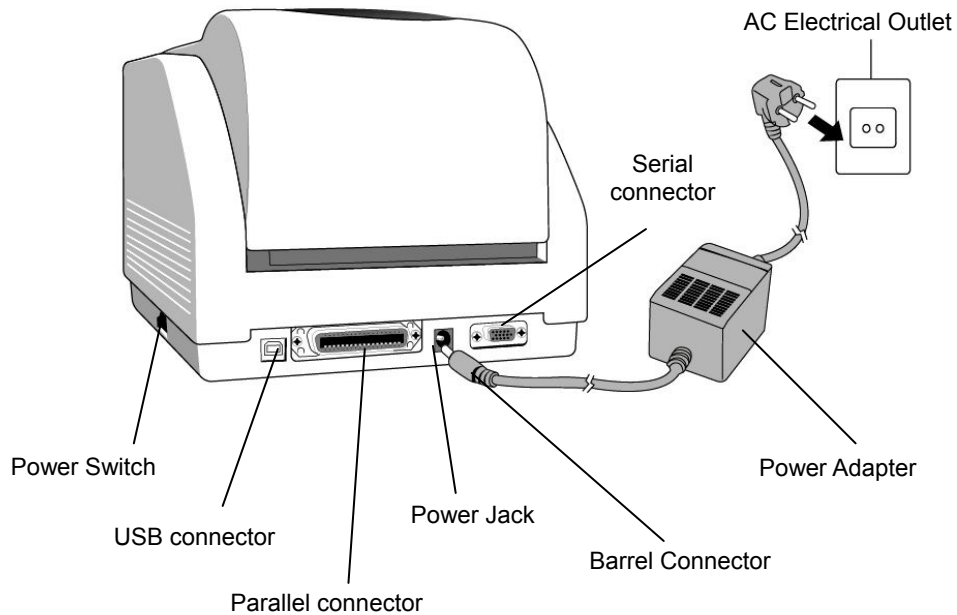


2. Power Supply

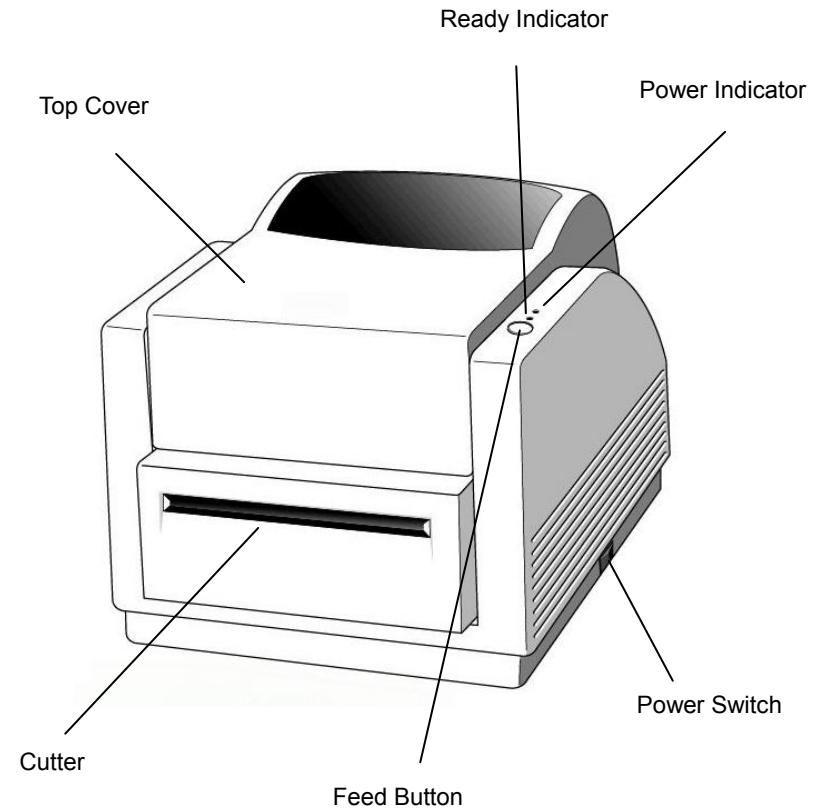
WARNING:

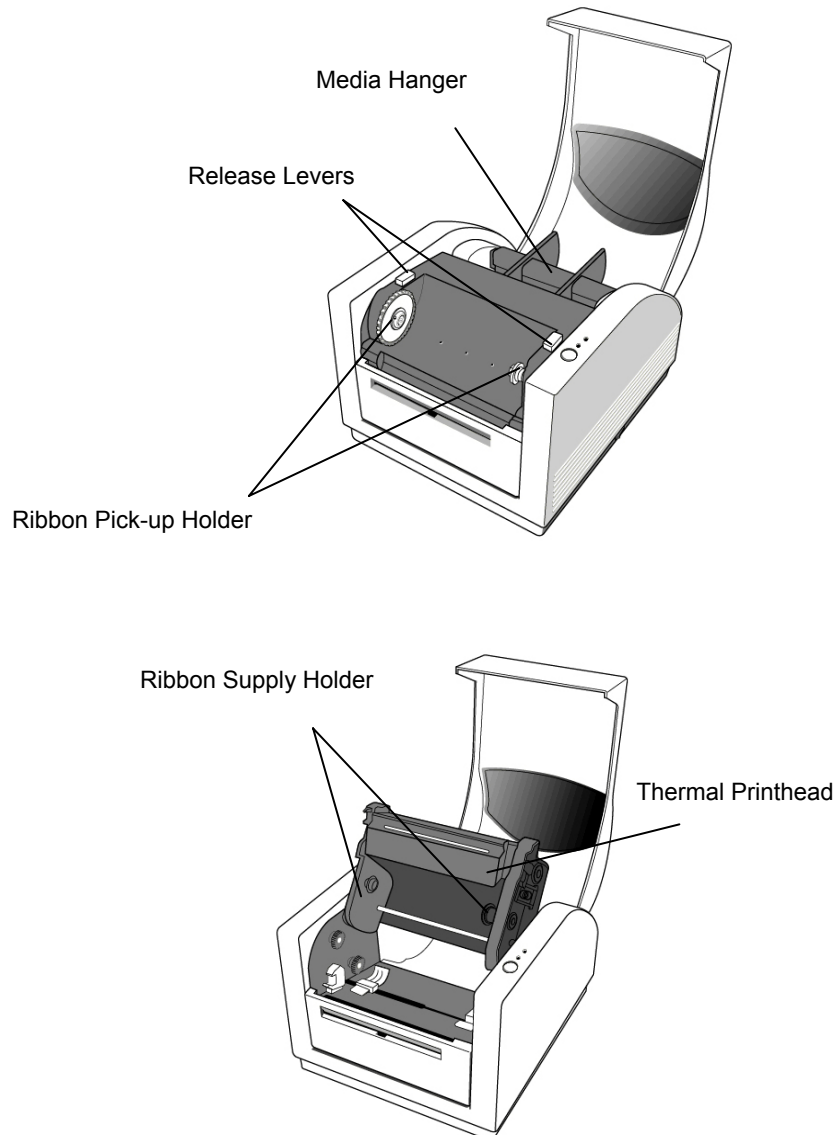
NEVER OPERATE THE PRINTER AND POWER SUPPLY IN AN AREA WHERE THEY CAN GET WET.

1. The Power Adapter has a barrel connector on one end that must be inserted into the power jack on the back of the printer.
2. Plug the other end of the cord into an appropriate AC electrical outlet.
3. When plugging the connector into power jack, please leave the power switch at "O" position and don't touch the 36 pin parallel connector.



3. Parts and Features



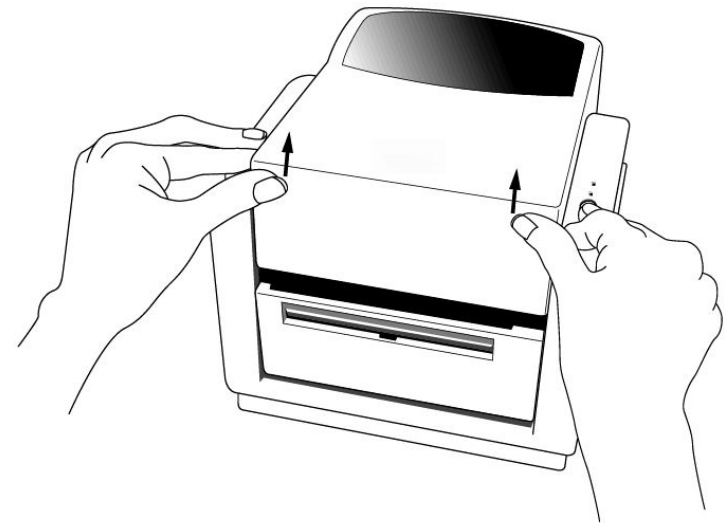


4. Loading the Ribbon

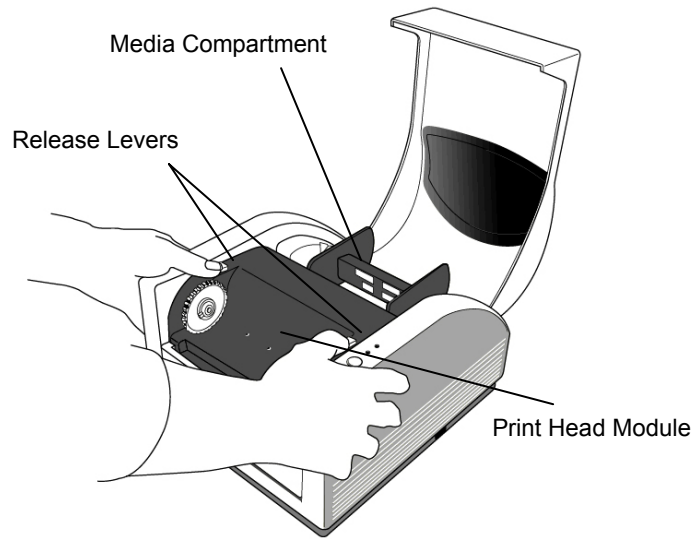
Note:

This section is not applicable to the direct thermal printing as a thermal ribbon is not required.

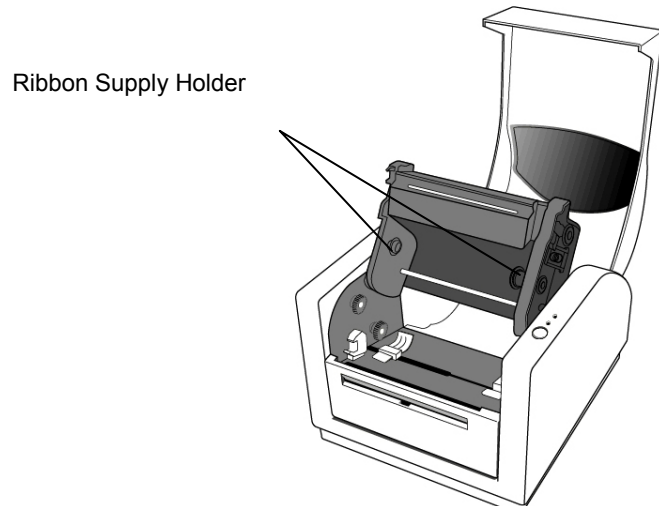
1. Lift the top cover to expose the media compartment.



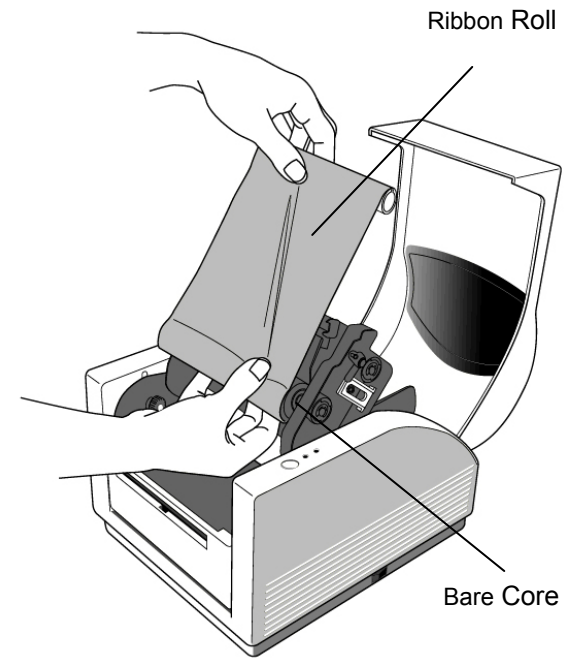
2. Unlatch the print head module by pushing the two purple release levers on the sides.



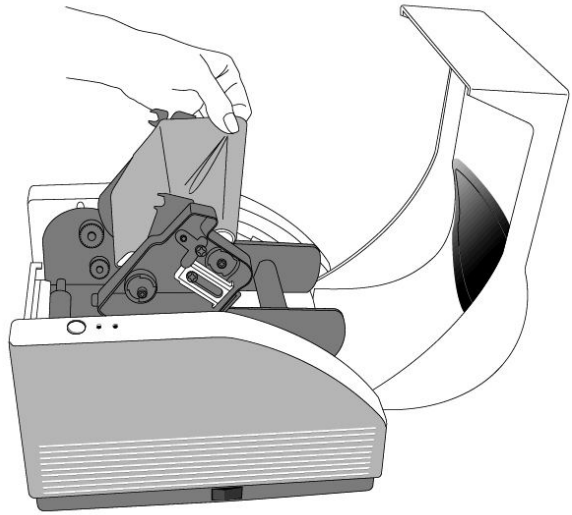
3. Turn over the print head module to expose the ribbon supply holder.



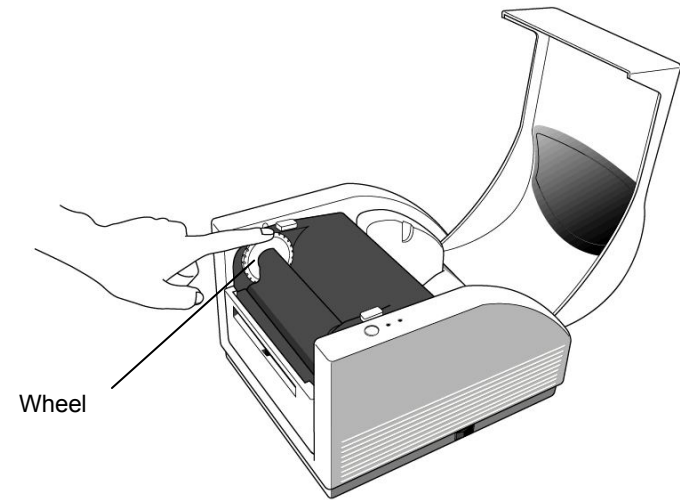
4. Unwrap the ribbon roll pack and separate the ribbon roll and the bare core.
5. Attach the edge of the ribbon on the bare core and wind it a little bit onto the core.
6. Insert the ribbon roll into the supply holder. (First snap in the right side and then the left side).



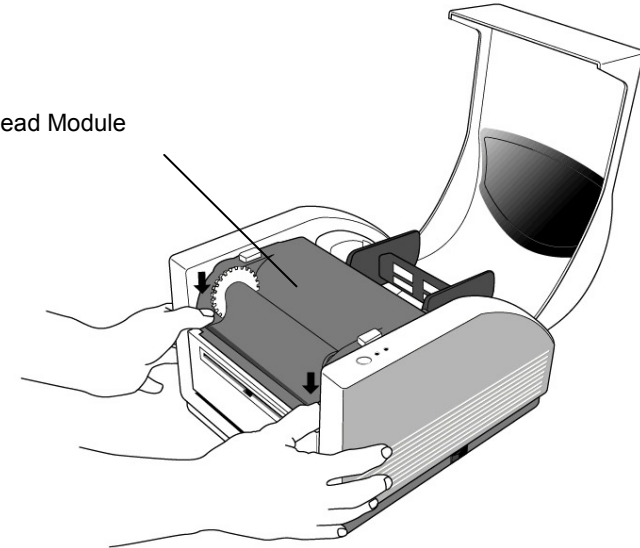
7. Turn back the print head module and then insert the bare core into the pick-up holder. (First snap in the right side, then the left side).



8. Turn the wheel of the print head module to ensure the ribbon is tightly wound.
9. Press down the print head module on both sides firmly till you hear a click on each side.



Print Head Module



5. Loading the Media

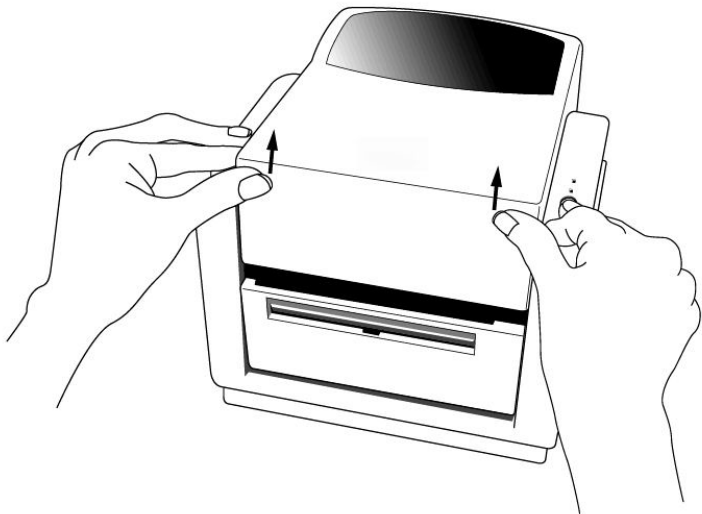
The MINIMARK printer can be operated in two different options:
Cutter On / Cutter Off.

- In cutter On mode, the printer automatically cuts the label after it is printed (2 modes : cut between each label or cut at the end of print job).
- In cutter Off mode, the printer will not cut any label.

The Cutter On/Off modes are set in the Printer Setup in Markware.

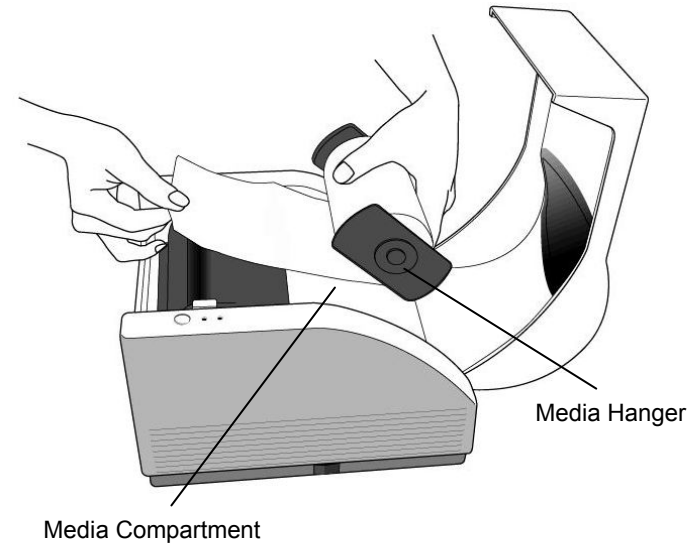
Loading the media (Continuous tape or Die-Cut labels)

1. Lift the top cover to expose the media compartment.

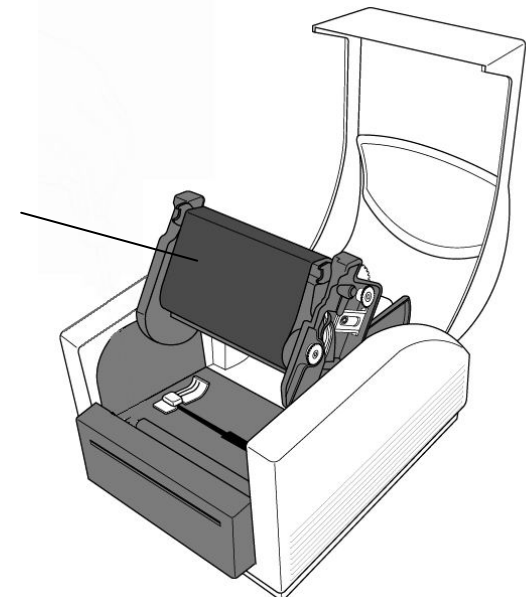


13

2. Remove the media hanger.
3. Load the media roll onto the hanger.
4. Unlatch the print head module.

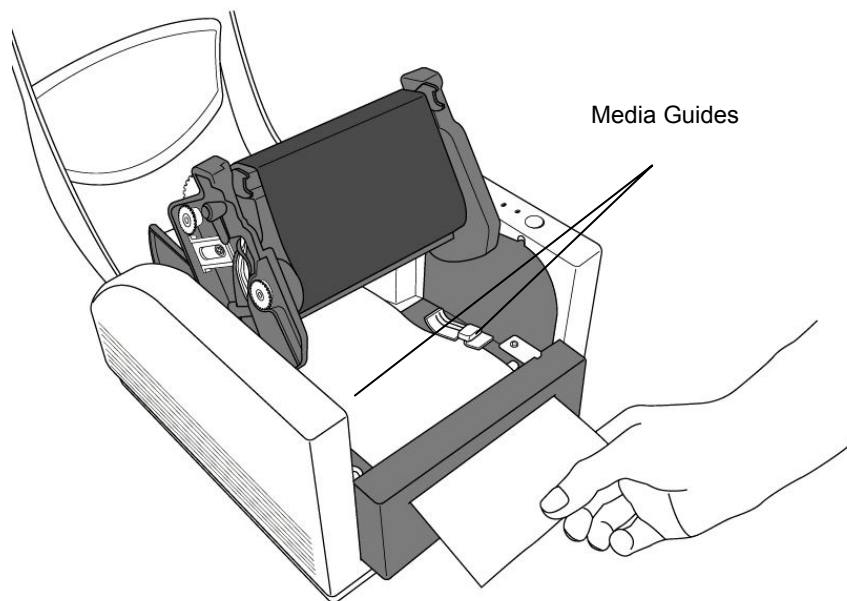


Ribbon Roll

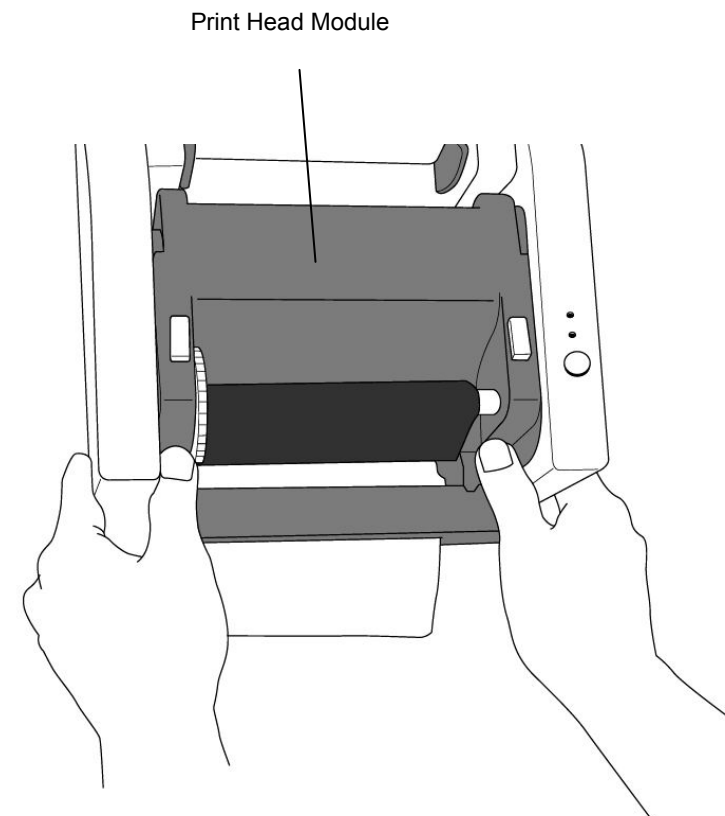


14

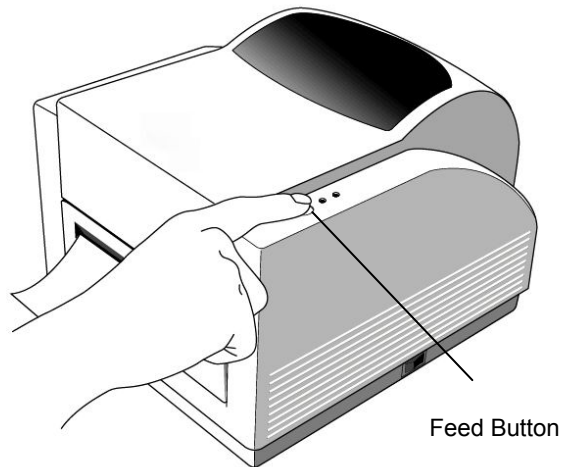
5. Lead the label through the media guides and the cutter (under the bent black plate) with the other hand. The media guide can be adjusted centrally to fit with different label width.



6. Press down the print head module firmly on both sides till you hear a click on each side.



7. Close the top cover and turn on the printer or press the feed button if the printer is already on.



Note:

The feed button will not drive the printer to cut. The cutting function can be executed only when the software setting is ready.

6. Operator Controls

Power Switch

Controls printer power

1. On : normal operation – "I" position
2. Off : the power should be turned off before connect or disconnect the communication cables and power cables – "O" position

Feed Button

Advance the label media to first printing position

1. Press to advance a small length of continuous tape or a label
2. Press to take the printer out of a "pause" condition

Ready Indicator

Show the printers status

1. Green : printer is ready to operate
2. Blinking : printer is paused

Power indicator

Shows the power and error status

1. Off : printer power off
2. Green : printer power on
3. Blinking : error occurs

7. Performing Calibration

1. Keep pressing the feed button while turning on the power, until the printing motor becomes activated.
2. The calibration has been performed while the printer automatically feed label for certain length.

8. Hooking up the Printer and Computer

Note :

The power supply barrel connector must be inserted into the power jack on the back of the printer before connecting the communication cables.

This printer comes with both a nine-pin Electronics Industries Association (EIA) RS-232 serial data interface, a standard Centronics parallel interface and USB interface. In either case, you must supply the required interface cable for your application.

Note :

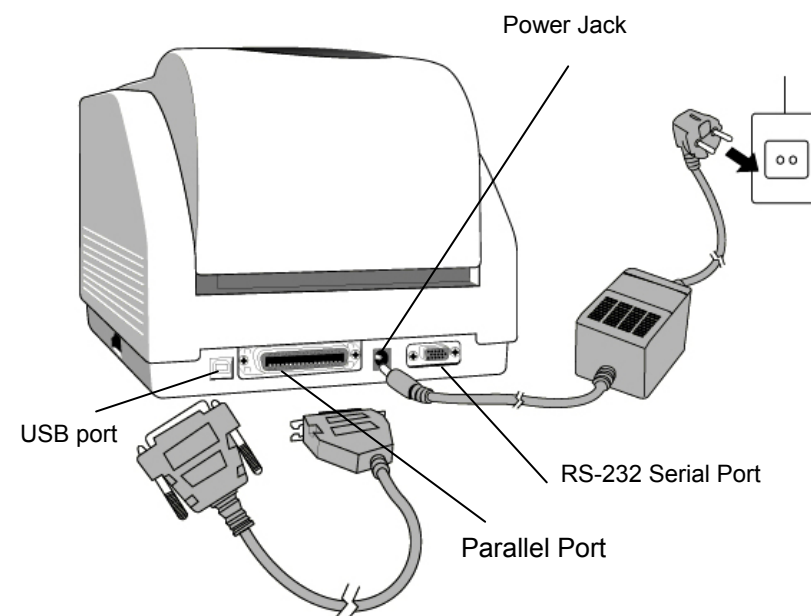
This printer complies with FCC "Rules and Regulations", Part 15, for Class A Equipment, using fully shielded six-foot data cables. Use of longer cables or unshielded cables may increase radiated emissions above the Class A limits.

Serial (RS-232) Interface Requirements

The required cable must have a nine-pin "D" type male connector on one end, which is plugged into the mating serial port located on the back of the printer. The other end of this signal interface cable connects to a serial port at the host computer.

The settings for the Serial port are :

Baud rate : 9600 – Stop Bit : 1 – Data Bit : 8 – Parity : None – Flow Control : Xon / Xoff



Parallel Interface Requirements

The required cable (IEEE 1284-compliant is recommended) must have a standard 36-pin parallel connector on one end, which is plugged into the parallel port located on the back of the printer. The other end of the parallel interface cable connects to the parallel connector on the host computer.

To minimize electrical noise pickup in the cable:

- Keep data cables as short as possible (6ft. [1.83m] recommended).
- Do not tightly bundle the data cables with power cords.
- Do not tie the data cables to power wire conduits.

Notes :

1. Using Centronics allows for a much higher speed communication than the use of a serial.

2. It is not necessary to set the switch or send any command to select the parallel or serial port . The printer can automatically detect it.

3. A normal USB cable is used if USB port is selected.

9. MINIMARK Print Driver

The MINIMARK print driver is bundled with the Markware 3.4 and higher CD-ROM (on a separate print driver CD-ROM from Markware 3.5 and higher). This driver can be installed under Windows 98SE/NT4/2000/XP.

Installing MarkWare 3.4 and Higher MINIMARK Print Driver

1. Install MarkWare if not previously installed.
2. Insert the **MarkWare 3.4 and higher MINIMARK CD** into your CD-ROM drive. You can also download the drivers from the Brady web site.

Note: If the installation CD does not AutoRun, go to **Start \ Windows Explorer** and then select the drive (for example, **D:**) where the MW3.4 and higher CD is located.

3. The **Choose Setup Language** box displays. Select a language and click **OK**.
4. The **Choose Printer Port** screen displays. Click the communication port you want to be used from the list and click **Next**. The print driver will automatically install. If USB is desired, select USB001.
5. When the print driver installation is completed, a message displays asking you to restart your computer. Choose **Yes** or **No** to restart you computer later.

Set the Parameters

After installing the driver, you can follow the path below to set parameters:

Start → Settings → Printers → MINIMARK → Properties

The parameters include:

Ports Select the correct port to link with the printer. The port may be one of parallel (LPT), serial (COM), USB001 or File.

Paper size Select the proper size in the menu.

Orientation Set portrait or landscape according to the print direction.

10. Troubleshooting

Normally, when the printer is in abnormal condition, the power LED will keep blinking. The printing job and the communication between the host and printer will stop.

To understand the problem, please check both LEDs first:

A. Power and Ready LEDs blink at the same tempo

| Power LED | Ready LED |
|-----------|-----------|
| ON | ON |
| OFF | OFF |

| Possible Problems | Solutions | Remarks |
|-------------------------------------|--|---|
| Miss-detect the gap (Die-cut label) | . Check the label path . Check the label sensor | If you are using continuous label roll and run under Windows, you should select the continuous media. |

| Possible Problems | Solutions | Remarks |
|---------------------|-----------------------------|---------|
| Label out | . Supply the label roll out | |
| Label not installed | . Install the label roll | |
| Label jam | . Recover the jam | |

B. Power and Ready LEDs blink alternately

| Power LED | Ready LED |
|-----------|-----------|
| ON | OFF |
| OFF | ON |

| Possible Problems | Solutions | Remarks |
|---------------------|-----------------------------|--|
| Ribbon out | . Supply the ribbon roll | Not applicable to direct thermal type. |
| Ribbon jam | . Recover the jam | |
| Ribbon sensor error | . Replace the ribbon sensor | |

C. Only the Power LED blinks

| Power LED | Ready LED |
|-----------|-----------|
| ON | ON |
| OFF | ON |

| Possible Problems | Solutions | Remarks |
|---------------------------------|---|---|
| Serial error | . Check the baud rate | Not for Centronics |
| Memory full | . Add the extension RAM | |
| Cutter failed, or jam at cutter | . Check the cutter . Recover the jam | It occurs when cutter is activated but connection cable is disconnected |
| Hardware error | . Call for service | |

D. Miscellaneous

- The host shows "Printer Time out"
 1. Check if the communication cable(parallel, serial or USB) is connected securely to your parallel, serial or USB port on the PC and to the connector on the printer at the other end.
 2. Check if the printer power is turned on.
- If the power cord is connected, the power switch is at position "I" and the power LED has still not illuminated, check the fuse inside the power adapter case.
- The data has been sent, but there is no output from the printer. Check the active printer driver, if MINIMARK printer has been selected.
- Vertical streaks in the printout usually indicate a dirty or faulty print head.

Clean the print head first, if they still persist, replace the print head.
- Poor printout quality.
 - . The ribbon may not be qualified.
 - . The media may not be qualified.
 - . Adjust the Darkness (heat temperature).
 - . Slow down the print speed.
 - . Refer to the next chapter and clean the related spare parts.

Recovery

To continue your print jobs after the abnormal conditions have been corrected, simply press the panel button or restart the printer. Make sure that the LED is not blinking and remember to resend your files.

11. Caring for Your Printer

Disconnect the printer's power plug before performing any maintenance procedures.

Clean the following areas of the printer after 5-8 rolls of continuous tapes or die-cut labels have been used. In each case, use a cotton bud dampened with isopropyl alcohol. Do not soak the cotton bud excessively.

Cleaning

- **Thermal Print Head**

Thermal paper and ribbon will release debris on the print head and degrade printing quality. Clean the print head with isopropyl alcohol with a cotton bud. Do not touch the heater element with your fingers. Debris or dirt on the roller should be cleaned with alcohol.
- **Paper Sensor**

Debris or dirt on the paper sensor will cause a miss-read or unstable detection of the label gap. Clean with a cotton bud dampened with alcohol.
- **Cutter**

Adhesive from label material may build up on cutter blade and cutter housing over time potentially causing cutter jams. Clean with a cotton bud dampened with alcohol. For safety purposes, ensure fingers remain clear of the opening in the cutter housing while cleaning.

12. Reference Technical Information

| Specifications | MINIMARK |
|-------------------------|---|
| Printing method | Thermal Transfer |
| Printing Resolution | 203 dpi (8dots/mm) |
| Printing speed | 1 ~ 4 ips (51~ 102 mm/s) 4" is automatically reduced to 3" if cutter On |
| Printing length | 1" ~ 45" (25mm ~ 1143mm) |
| Printing width | Max 4.1" (104 mm) |
| Memory | 2 MB DRAM 2 MB Flash ROM |
| CPU type | 32 bit RISC microprocessor |
| Media sensor | Reflective See - through |
| Display | LED indicators x 2 |
| Operation interface | Button x 1 |
| Communication interface | Centronics RS-232 serial Bi-USB (Full Speed) |
| Software | MARKWARE, version 3.4 and higher OR Surf on Signs (Not available in Europe) |
| Media | Continuous tapes die-cut labels; Thermal paper or Vinyl / Polyester Max width 4.25" (108 mm) Min width 1.0" (25.4 mm) Thickness .0025"~. 01" (.0635mm ~. 254mm) |
| Ribbon | Wax, Wax/Resin, Resin (Outside coating ribbon) Ribbon width -4" Ribbon length – max 100 M |
| Power source | 110/220 VAC ± 10%, 50/60 Hz, external power adapter |
| Agency listing | CE, UL, CUL, FCC class A, CCC |
| Operation environment | 40°F ~ 100°F (4°C~38°C) ; 10~90% non condensing |
| Cutter | Rotary Cutter |

Copyright

Ce manuel est soumis à copyright, tous droits réservés. Il est interdit de copier ou de reproduire d'une quelconque manière tout ou partie de ce manuel sans l'autorisation préalable de Brady Worldwide, Inc.

Toutes les précautions ont été prises pour préparer ce document, mais Brady décline toute responsabilité pour toute perte ou dommage causé par des erreurs ou des omissions ou par des constatations découlant d'une négligence, d'un accident ou de toute autre cause. Brady décline également toute responsabilité découlant de l'application ou de l'utilisation de tout produit ou système décrit dans le présent document, ainsi que toute responsabilité pour de quelconque dommages-intérêts découlant de l'utilisation de ce document.

Brady n'offre aucune garantie de bonne qualité commerciale ou d'adaptation à un usage spécifique.

Brady se réserve le droit d'apporter des modifications sans avis préalable à tout produit ou système contenu dans le présent document afin d'en améliorer sa fiabilité, son fonctionnement ou sa conception.

Il est strictement interdit de reproduire tout ou partie de ce matériel sans l'autorisation préalable écrite de Brady Worldwide, Inc.

Tous les efforts ont été mis en œuvre pour que ce guide soit aussi précis et complet que possible. Brady Worldwide, Inc. n'est pas responsable des imprécisions et des omissions dans le texte de ce guide.

Ce manuel appartient à Brady Worldwide, Inc. et peut parfois faire l'objet de révisions sans avis préalable.

Brady Worldwide, Inc. ne s'engage aucunement à vous fournir les éventuelles révisions effectuées.

Tous les noms de marque ou de produit mentionnés dans ce manuel sont des marques de commerce ou des marques déposées de leurs sociétés ou organismes respectifs.

MINIMARK™ et MarkWare™ sont des marques déposées de Brady Worldwide, Inc. Windows est une marque déposée du Groupe Microsoft.

© 2005 Brady Worldwide, Inc. Tous droits réservés.

Cet appareil est conforme à la Directive RoHS 2002/95/EC.

Table des matières

| | |
|---|----|
| 1. Vérification du contenu..... | 30 |
| 2. Alimentation..... | 31 |
| 3. Composants et fonctions..... | 32 |
| 4. Installation du transfert thermique..... | 34 |
| 5. Installation du média..... | 39 |
| 6. Commandes de l'opérateur..... | 44 |
| 7. Paramétrage..... | 45 |
| 8. Raccordement de l'imprimante et de l'ordinateur..... | 45 |
| 9. Pilote d'impression MINIMARK..... | 48 |
| 10. Analyse des pannes..... | 49 |
| 11. Entretien de l'imprimante..... | 53 |
| 12. Caractéristiques techniques de référence..... | 54 |

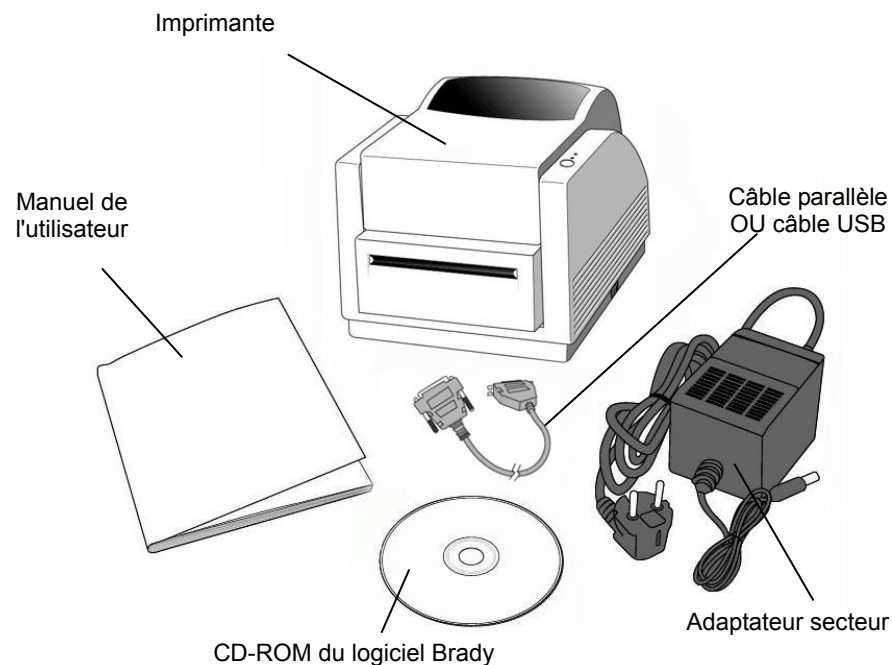
1. Vérification du contenu

À la réception du colis de votre imprimante, il est recommandé de contrôler tout d'abord les éventuelles détériorations survenues pendant le transport. Vous pouvez le faire de deux manières :

1. Examinez l'aspect extérieur du colis et de l'imprimante afin de détecter la présence d'éventuelles détériorations.
2. Soulevez le capot supérieur de l'imprimante afin de vérifier que le compartiment d'impression est en bon état.

En cas de détérioration, déposez immédiatement une réclamation auprès de la société de transport.

Après avoir effectué les premiers contrôles, la deuxième étape consiste à vérifier que vous avez bien reçu les accessoires ci-dessous avec l'imprimante. S'il manque des accessoires, contactez votre distributeur local pour vous les procurer.

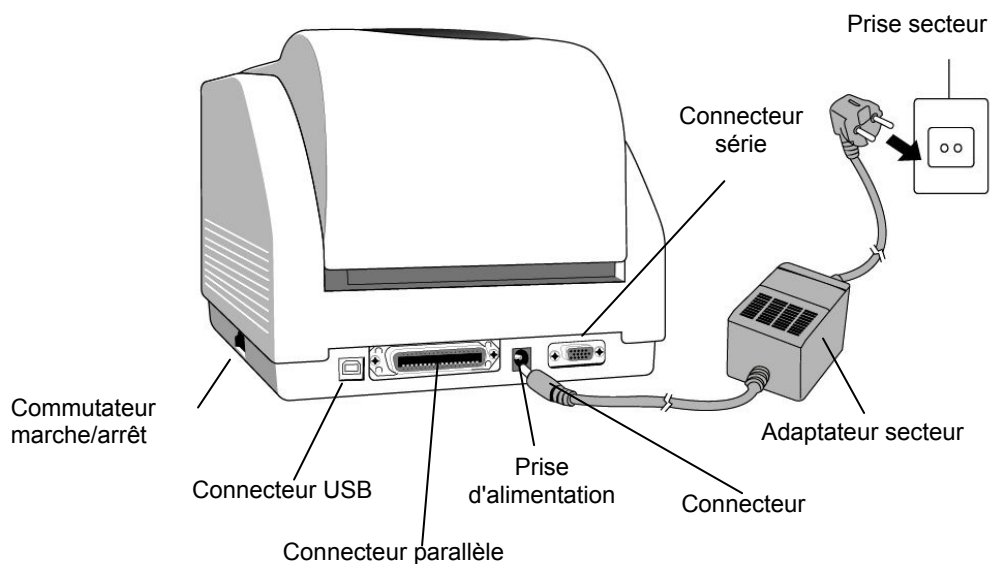


2. Alimentation

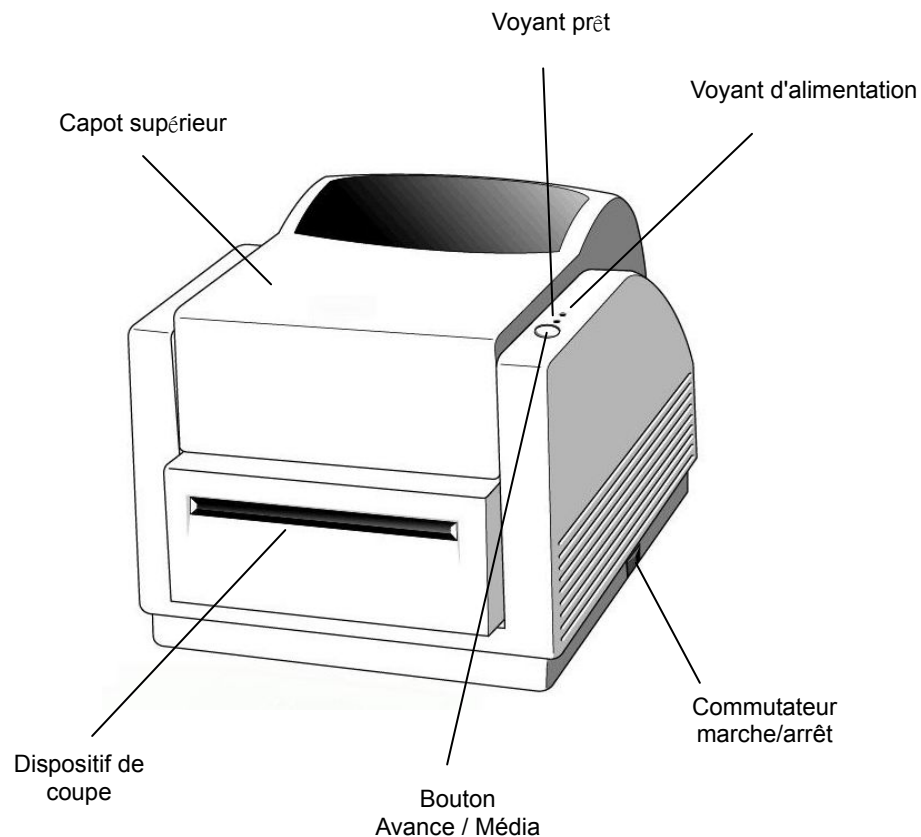
AVERTISSEMENT :

NE JAMAIS UTILISER L'IMPRIMANTE ET L'ALIMENTATION DANS UN LIEU EXPOSÉ À L'HUMIDITÉ.

1. A l'une des deux extrémités, l'adaptateur secteur dispose d'un connecteur qu'il faut insérer dans la prise d'alimentation située au dos de l'imprimante.
2. Branchez l'autre extrémité du cordon dans une prise secteur appropriée.
3. Lorsque vous branchez le connecteur dans la prise d'alimentation, laissez le commutateur marche/arrêt en position "O" et ne touchez pas au connecteur parallèle 36 broches.



3. Composants et fonctions

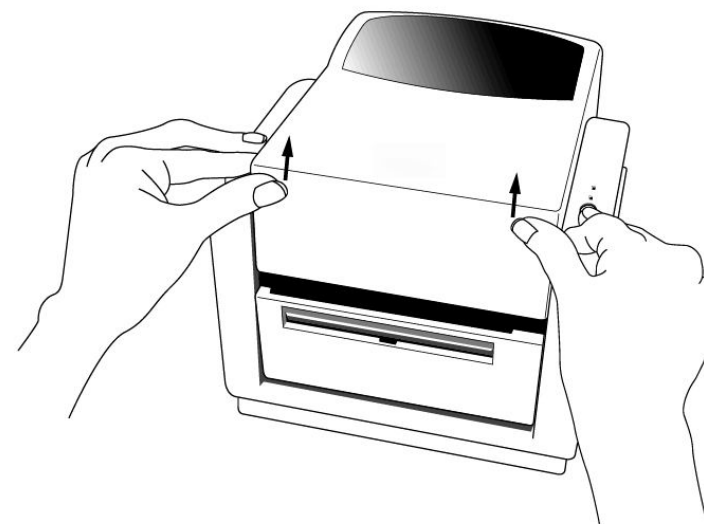


4. Installation du transfert thermique

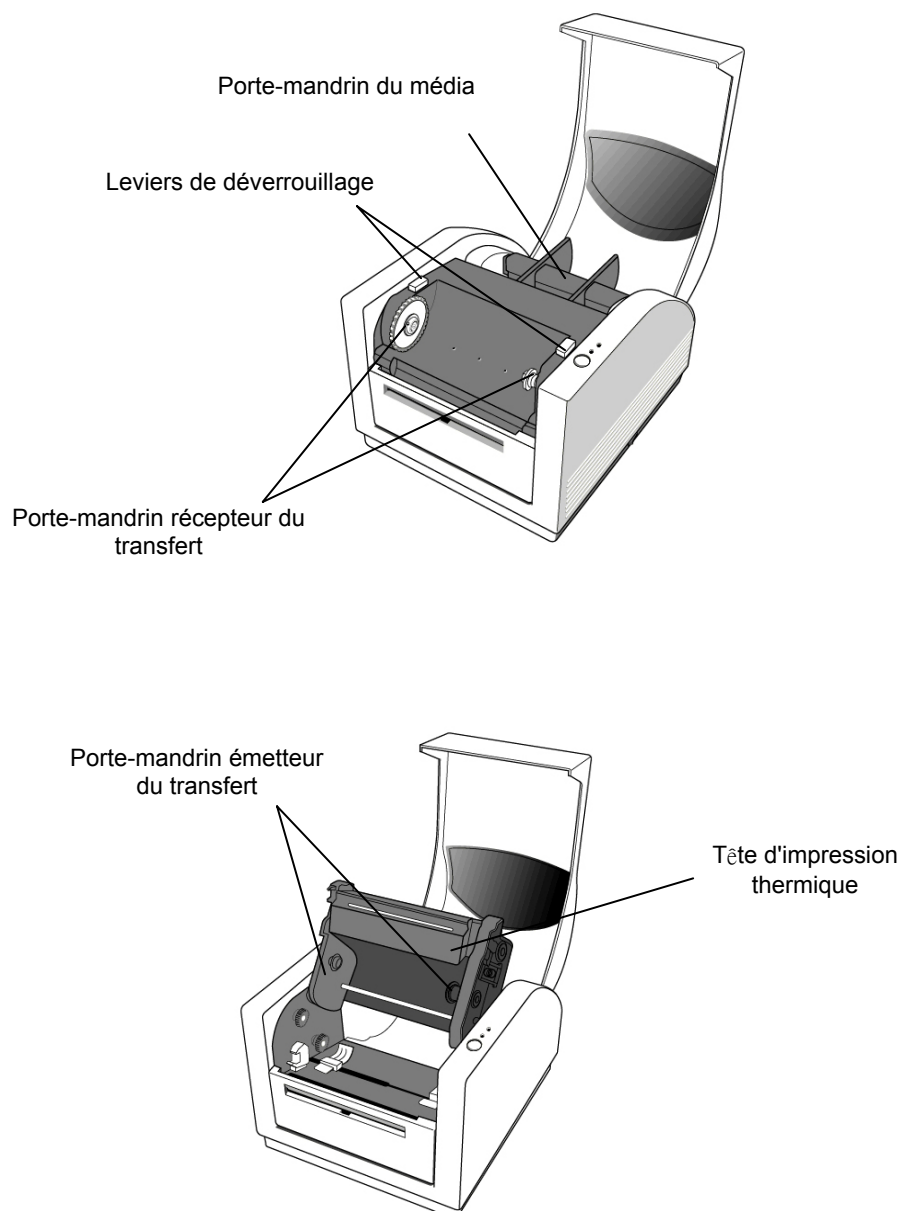
Remarque :

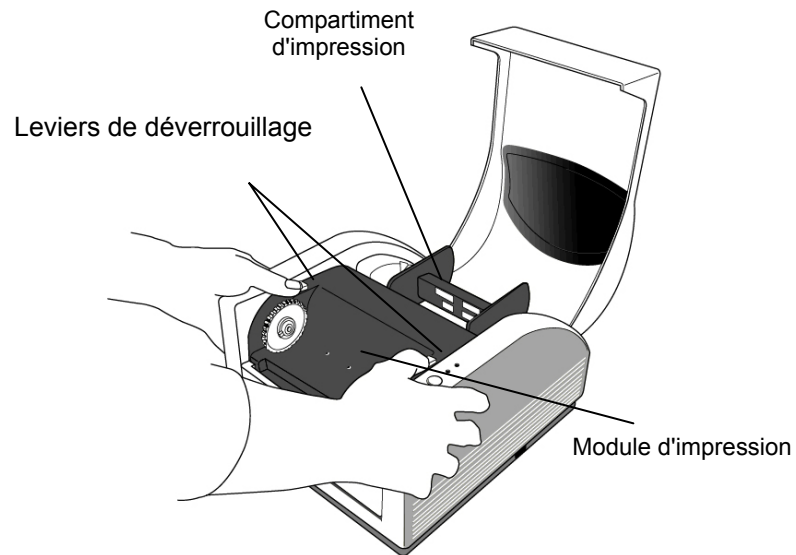
Cette partie ne concerne pas l'impression thermique directe pour laquelle aucun transfert thermique n'est nécessaire.

2. Relevez le capot supérieur pour découvrir le compartiment d'impression.

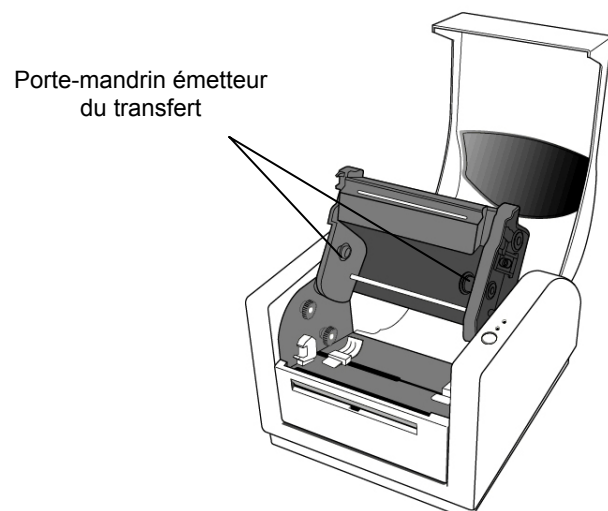


3. Déverrouillez le module d'impression en appuyant sur les deux leviers de déverrouillage violets situés des deux côtés.

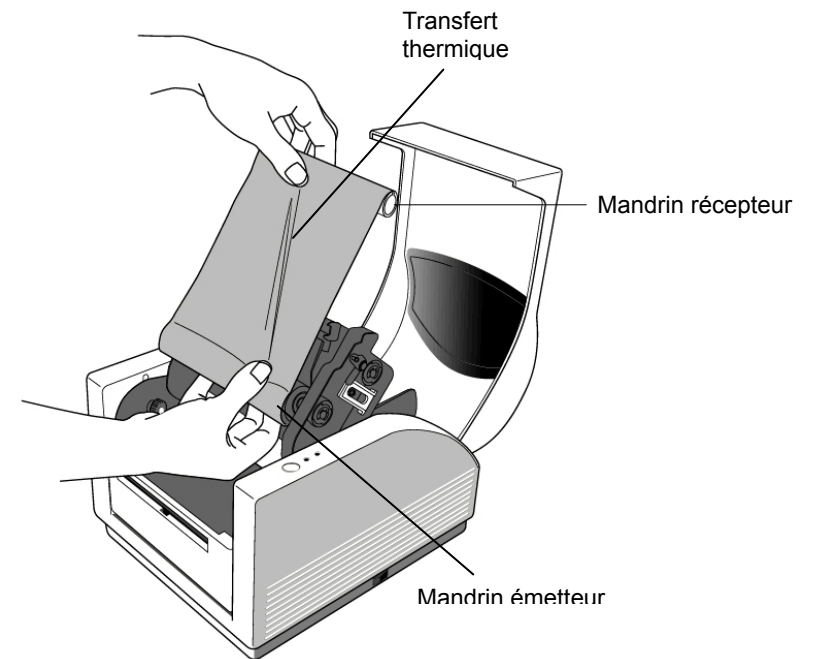




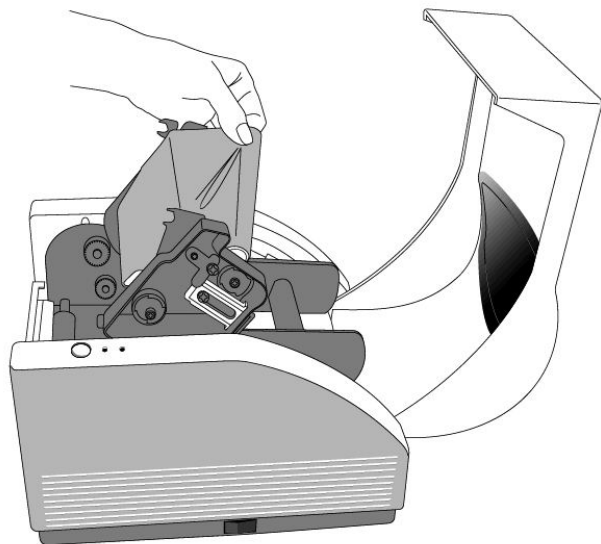
4. Levez le module d'impression pour exposer le porte-mandrin émetteur du transfert.



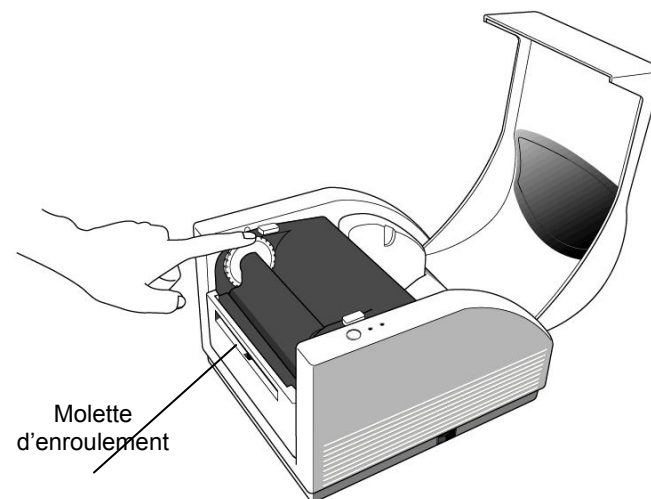
4. Déballez le rouleau de transfert thermique et séparez-le du mandrin récepteur sans détacher le film.
5. Fixez l'extrémité du transfert sur le mandrin récepteur et enrroulez-le un peu.
6. Insérez le transfert sur le porte-mandrin émetteur du transfert thermique (insérez d'abord le côté droit, puis le côté gauche.)



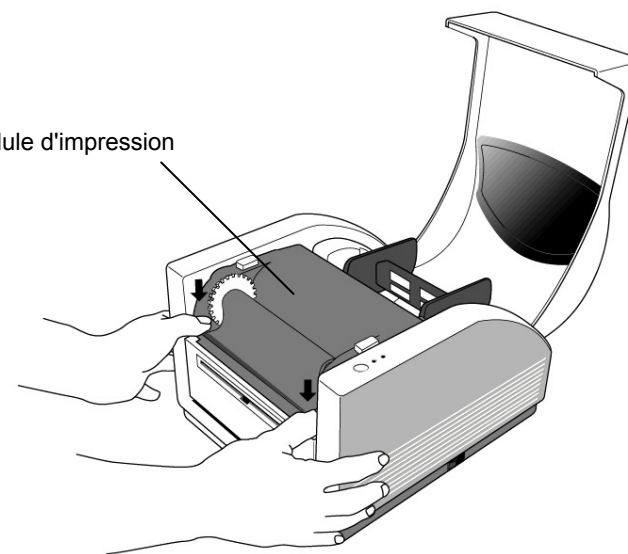
7. Basculez le module d'impression, puis insérez le mandrin récepteur dans le porte-mandrin récepteur (insérez d'abord le côté droit, puis le côté gauche.)



8. Tournez vers l'arrière la molette du module d'impression pour vous assurer que le transfert est correctement enroulé.
9. Appuyez fermement sur le module d'impression des deux côtés jusqu'à ce que vous entendiez un clic de chaque côté.



Module d'impression



5. Installation du média

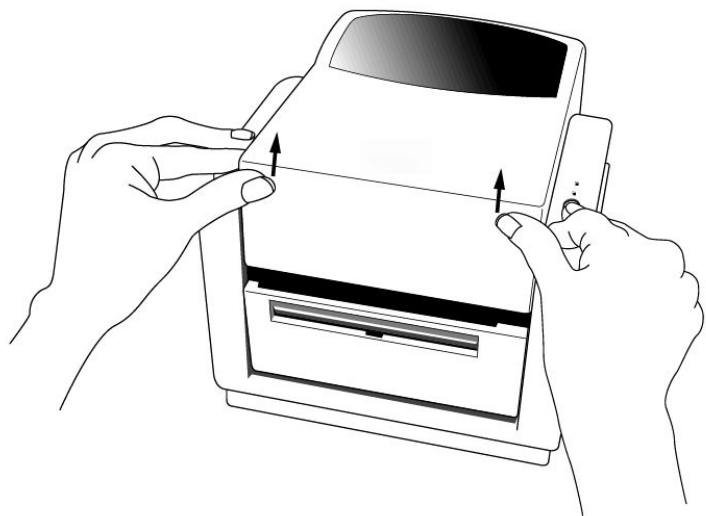
L'imprimante MINIMARK™ peut être utilisée dans deux modes différents : Coupe activée / Coupe désactivée.

- En mode Coupe activée, l'imprimante coupe automatiquement l'étiquette lorsqu'elle a été imprimée (deux modes : coupe entre chaque étiquette ou coupe à la fin de la tâche d'impression).
- En mode Coupe désactivée, l'imprimante ne coupe aucune étiquette.

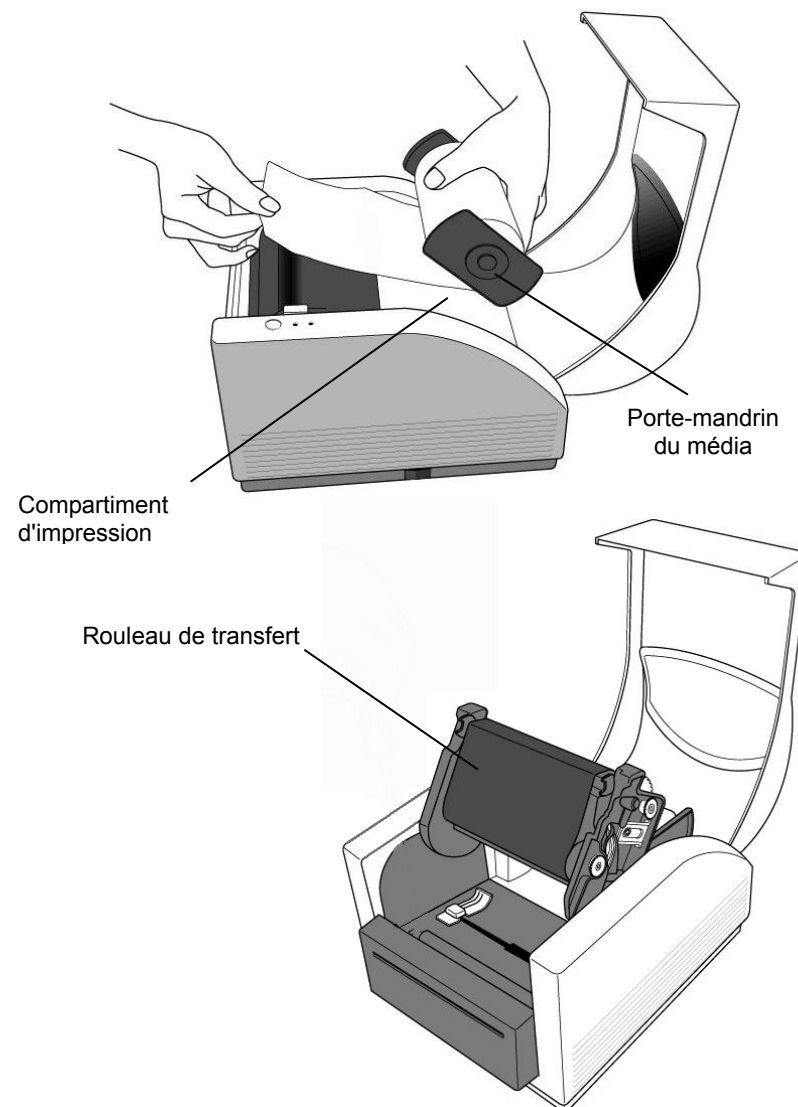
Les modes Activé / Désactivé de la coupe sont définis dans la configuration de l'imprimante dans Markware.

Installation du média (bande continue ou étiquettes prédécoupées)

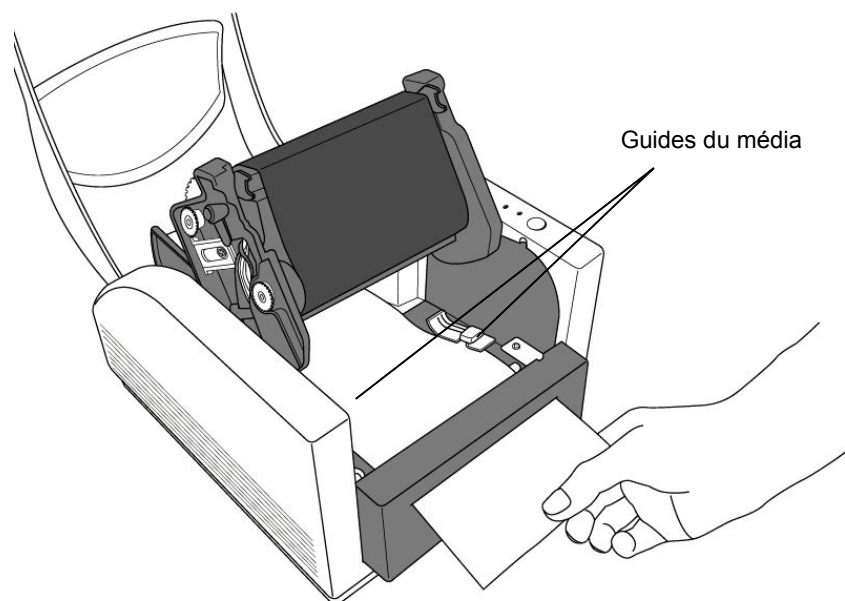
1. Relevez le capot supérieur pour découvrir le compartiment d'impression.



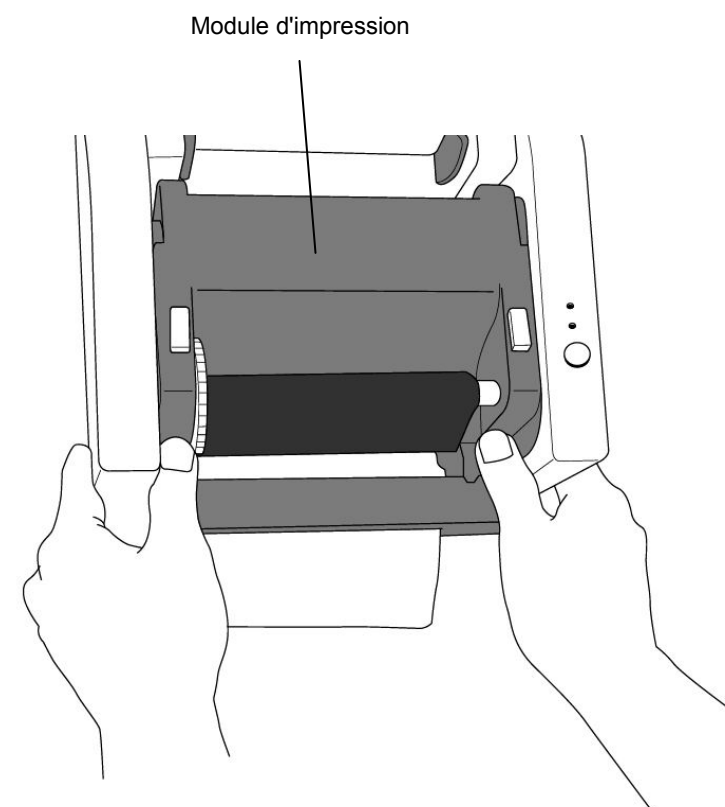
2. Retirez le porte-mandrin du média.
3. Chargez le rouleau de média sur le porte-mandrin.
4. Déverrouillez le module d'impression.



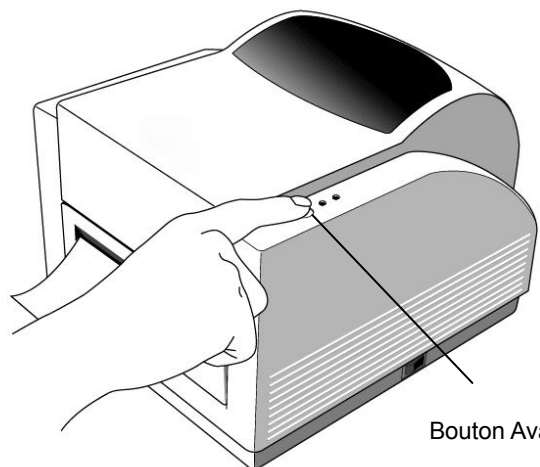
5. Guidez le média entre les guides du média et le dispositif de coupe (sous la plaque noire repliée) à l'aide de l'autre main. Les guides du média peuvent être réglés pour être adaptés aux différentes largeurs du média.



6. Appuyez fermement des deux côtés du module d'impression jusqu'à ce que vous entendiez un clic de chaque côté.



7. Refermez le capot supérieur et mettez en marche l'imprimante ou appuyez sur le bouton Avance Média si l'imprimante est toujours en marche.



Bouton Avance Média

Remarque :

Le bouton Avance Média n'indique pas à l'imprimante de procéder à la coupe. La fonction de coupe peut uniquement être exécutée lorsque le paramétrage du logiciel a été effectué.

6. Commandes de l'opérateur

Commutateur marche/arrêt

Commandes d'alimentation de l'imprimante

1. Marche : fonctionnement normal – Position "I"
2. Arrêt : avant de brancher ou de débrancher les câbles informatiques et les câbles d'alimentation, il est nécessaire de couper l'alimentation – Position "O"

Bouton Avance Média

Pour faire avancer le média jusqu'à la première position d'impression

1. Appuyez sur le bouton pour faire avancer une petite longueur de bande continue ou une étiquette
2. Appuyez sur le bouton pour arrêter le mode « pause » de l'imprimante

Voyant prêt

Indique le statut de l'imprimante

1. Vert : l'imprimante est prête à fonctionner
2. Clignotant : l'imprimante est sur pause

Voyant d'alimentation

Indique le statut d'alimentation et d'erreur

1. Eteint : l'imprimante est hors tension
2. Vert : l'imprimante est sous tension
3. Clignotant : erreur

7. Paramétrage

1. Maintenez le bouton Avance Média enfoncé lorsque vous mettez l'imprimante sous tension, jusqu'à ce que l'avance soit activée.
2. Le paramétrage a été effectué lorsqu'une certaine longueur d'étiquette avance automatiquement dans l'imprimante.

8. Raccordement de l'imprimante et de l'ordinateur

Remarque :

L'alimentation doit être insérée dans la prise d'alimentation située au dos de l'imprimante avant de procéder au raccordement des câbles informatiques.

L'imprimante est livrée avec une interface Série RS-232 EIA (Electronics Industries Association) à neuf broches, une interface parallèle Centronics standard et une interface USB. Dans chacun des cas, vous devez utiliser le câble d'interface adapté à votre utilisation.

Remarque :

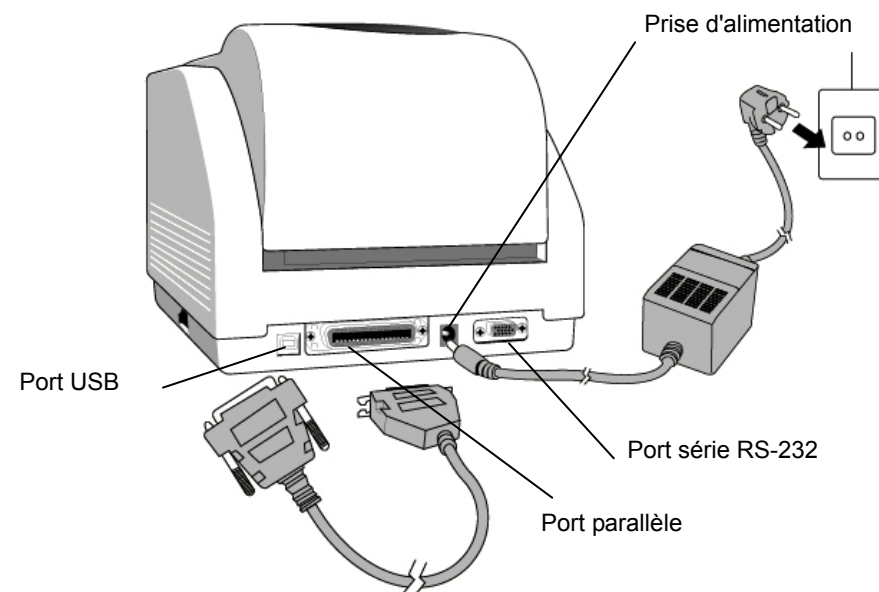
Cette imprimante est conforme aux « Règles et réglementations » FCC, Partie 15, de l'Équipement de Classe A, et utilise des câbles informatiques blindés de 1,80 m. L'utilisation de câbles plus longs ou de câbles non blindés peut entraîner une augmentation du rayonnement des émissions au-delà des limites de la Classe A.

Exigences de l'interface Série (RS-232)

Le câble requis doit posséder un connecteur mâle de type "D" à neuf broches à une extrémité, ce connecteur devant être branché dans le port série correspondant situé au dos de l'imprimante. L'autre extrémité de ce câble doit être branchée sur le port série de l'ordinateur hôte.

Les paramètres du port série sont les suivants :

Vitesse de transmission : 9600 – Bit d'arrêt : 1 – Bit de données : 8 – Parité : Aucune – Contrôle de flux : Xon / Xoff



Exigences de l'interface parallèle

Le câble requis (il est recommandé d'utiliser un câble conforme IEEE 1284) doit disposer, à l'une des extrémités, un connecteur parallèle à 36 broches standard devant être branché sur le port parallèle situé au dos de l'imprimante. L'autre extrémité de ce câble doit être branchée sur le connecteur parallèle de l'ordinateur hôte.

Pour minimiser les interférences électromagnétiques sur le câble :

- Utilisez des câbles les plus courts possibles (longueur recommandée : 1,80 m).
- N'emmêlez pas des câbles informatiques avec des cordons d'alimentation.
- Ne reliez pas les câbles informatiques à des gaines contenant des câbles d'alimentation.

Remarques :

1. *L'utilisation de l'interface parallèle Centronics permet d'obtenir une vitesse de communication nettement supérieure par rapport à une interface Série.*
2. *Il est inutile d'utiliser un commutateur ou une quelconque commande pour sélectionner le port parallèle ou le port série. Celui-ci est automatiquement détecté par l'imprimante.*
3. *Si le port USB est sélectionné, il est nécessaire d'utiliser un câble USB standard.*

9. Pilote d'impression MINIMARK™

Avec la version 3.4 ou supérieur de Markware, le pilote d'impression MINIMARK™ est fourni sur le même CD-Rom (avec les versions 3.5 et supérieures, ce dernier est fourni sur un CD-Rom distinct). Ce pilote peut être installé sous Windows 98SE/NT4/2000/XP.

Installation du pilote d'impression MINIMARK™ MarkWare 3.4 ou supérieur

1. S'il n'est pas déjà installé, installez le pilote d'impression MarkWare.
2. Insérez le **CD MarkWare 3.4 ou supérieur MINIMARK** dans votre lecteur de CD-ROM. Vous pouvez également télécharger les pilotes à partir du site Web de Brady

Remarque : si le lancement automatique (AutoRun) du CD d'installation ne fonctionne pas, allez dans le menu **Démarrer \ Explorateur Windows**, puis sélectionnez le lecteur (par exemple **D :**) où se trouve le CD MW3.4 ou supérieur.

3. La boîte **Choose Setup language (Choisir la langue de configuration)** s'affiche. Choisissez une langue et cliquez sur **OK**.
4. L'écran **Choose Printer Port (Choisir le port d'imprimante)** s'affiche. Sélectionnez dans la liste le port de communication que vous souhaitez utiliser puis cliquez sur **Next (Suivant)**. Le pilote d'impression

s'installe automatiquement. Si vous souhaitez utiliser le port USB, sélectionnez USB001.

5. Lorsque l'installation du pilote d'impression est terminée, un message s'affiche pour vous demander de redémarrer votre ordinateur. Cliquez sur **Oui** pour le redémarrer immédiatement (conseillé) ou sur **Non** si vous souhaitez le redémarrer ultérieurement.

Réglage des paramètres

Après avoir installé le pilote, vous pouvez régler les paramètres en suivant le chemin d'accès ci-dessous :

Démarrage → Paramètres → Imprimantes → MINIMARK → Propriétés

Ces paramètres sont les suivants :

Ports : sélectionnez le port de liaison avec l'imprimante. Ce port peut être un port parallèle (LPT), série (COM), USB001 ou Fichier.

Format du papier : sélectionnez le format dans le menu.

Orientation : sélectionnez l'orientation souhaitée pour l'impression, « portrait » ou « paysage ».

10. Analyse des pannes

En général, lorsque l'imprimante rencontre un dysfonctionnement, la voyant d'alimentation clignote. La tâche d'impression et la communication entre l'ordinateur hôte et l'imprimante sont interrompues.

Pour comprendre le problème, contrôlez d'abord les deux voyants LED :

A. Les voyants LED Alimentation et Prêt clignotent au même rythme

| Voyant LED d'alimentation | Voyant LED prêt |
|---------------------------|-----------------|
| MARCHE | MARCHE |
| ARRÊT | ARRÊT |

| Problèmes éventuels | Solutions | Remarques |
|--|---|--|
| Mauvaise détection de l'espacement (étiquettes prédécoupées) | . Contrôlez le chemin de l'étiquette . Contrôlez la cellule des étiquettes | Si vous utilisez un rouleau d'étiquettes continu et si vous êtes sous Windows, vous devez choisir le support d'impression continu. |
| Plus d'étiquettes | . Remettez un rouleau d'étiquettes | |
| Étiquette non installée | . Installez le rouleau d'étiquettes | |
| Bourrage d'étiquette | . Éliminez le bourrage | |

B. Les voyants LED Alimentation et Prêt clignotent alternativement

| Voyant LED d'alimentation | Voyant LED Prêt |
|---------------------------|-----------------|
| MARCHE | ARRÊT |
| ARRÊT | MARCHE |

| Problèmes éventuels | Solutions | Remarques |
|----------------------------------|--|---|
| Plus de transfert thermique | . Remettez un rouleau de transfert thermique | Ne concerne pas le type transfert direct. |
| Bourrage du transfert | . Retirez le bourrage | |
| Erreur de détection du transfert | . Remplacez la cellule des transferts | |

C. Seul le voyant LED d'alimentation clignote

| Voyant LED d'alimentation | Voyant LED Prêt |
|---------------------------|-----------------|
| MARCHE | MARCHE |
| ARRÊT | MARCHE |

| Problèmes éventuels | Solutions | Remarques |
|---|--|--|
| Erreur Port Série | . Contrôlez la vitesse de transmission | Ne concerne pas le port parallèle Centronics |
| Dysfonctionnement du dispositif de coupe ou bourrage au niveau du dispositif de coupe | . Contrôlez le dispositif de coupe . Éliminez le bourrage | Cela arrive lorsque le dispositif de coupe est activé alors que le câble de raccordement est débranché |
| Erreur de matériel | . Appelez le service d'assistance technique | |

D. Divers

- Le message « Printer Time out » (délai imprimante expiré) s'affiche sur l'ordinateur hôte

1. Vérifiez que le câble informatique (parallèle, série ou USB) est correctement connecté, d'un côté, au port parallèle, port série ou port USB de votre ordinateur et, de l'autre côté, au connecteur de l'imprimante.

2. Vérifiez que l'imprimante est sous tension.

- Si le voyant LED d'alimentation refuse de s'allumer alors que le cordon d'alimentation est correctement branché et que le commutateur marche/arrêt est en position "I", contrôlez le fusible qui se trouve à l'intérieur du boîtier de l'adaptateur secteur.
- Les données ont été transmises, mais l'imprimante n'imprime pas. Contrôlez le pilote de l'imprimante active, si l'imprimante MINIMARK™ a été sélectionnée.
- Des rayures verticales sur la sortie papier indiquent généralement que la tête d'impression est sale ou défectueuse. Nettoyez la tête d'impression et remplacez-la si le problème persiste.
- Mauvaise qualité d'impression.
 - Le transfert thermique n'est peut-être pas adapté.
 - Le média n'est peut-être pas adapté.
 - Réglez la densité d'impression (température de chauffe).
 - Ralentissez la vitesse d'impression.
 - Consultez le chapitre suivant et nettoyez les pièces associées.

Rétablissement

Pour continuer vos travaux d'impression après avoir éliminé les dysfonctionnements, appuyez sur le bouton Avance ou redémarrez l'imprimante (conseillé). Assurez-vous que les voyants LED ne clignote pas et pensez à relancer l'impression de vos fichiers.

11. Entretien de l'imprimante

Débranchez la prise d'alimentation de l'imprimante avant d'effectuer toute opération d'entretien.

Certaines parties de l'imprimante doivent être nettoyées après 5 à 8 rouleaux de bandes continues ou d'étiquettes prédécoupées. Dans chacun des cas, utilisez un coton-tige trempé dans de l'alcool isopropylique. Le coton-tige ne doit pas être détrempé.

Nettoyage

■ Tête d'impression thermique

Le papier thermique et le transfert thermique laissent des débris sur la tête d'impression et altèrent la qualité de l'impression. Nettoyez la tête d'impression à l'aide d'un coton-tige trempé dans de l'alcool isopropylique. Ne touchez pas l'élément chauffant avec vos doigts. Les débris ou les salissures se trouvant sur le rouleau doivent être nettoyés à l'aide d'alcool.

■ Cellule du média

Les débris ou les salissures sur la cellule de papier entraîneront une mauvaise lecture ou une détection instable de l'espacement entre les étiquettes. Nettoyez-la à l'aide d'un coton-tige trempé dans de l'alcool isopropylique.

■ Dispositif de coupe

De l'adhésif provenant des étiquettes peut s'accumuler sur la lame et le boîtier du dispositif de coupe avec le temps, risquant de causer des blocages. Nettoyez-le à l'aide d'un coton-tige trempé dans de l'alcool isopropylique. Par mesure de sécurité, veillez à laisser les mains à bonne distance de l'ouverture du boîtier du dispositif de coupe pendant le nettoyage.

12. Caractéristiques techniques de référence

| Spécifications | MINIMARK™ |
|---------------------------------|--|
| Méthode d'impression | Transfert thermique |
| Résolution d'impression | 203 dpi (8 points/mm) |
| Vitesse d'impression | 2 à 4 ips (4" automatiquement réduit à 3" si Coupe activée) (51 à 102 mm/s) |
| Longueur d'impression | 25 mm à 1143 mm (1" à 45") |
| Largeur d'impression | 104 mm (max 4,1") |
| Mémoire | 2 Mo DRAM 2 Mo Flash ROM |
| Type d'UC | Microprocesseur RISC32 bits |
| Cellule du support d'impression | Reflective See-through |
| Affichage | 2 voyants LED |
| Interface de fonctionnement | 1 bouton |
| Interface de communication | Centronics Série RS-232 Bi-USB (Full Speed) |
| Logiciel | MARKWARE, version 3.4 et supérieure OU Surf on Signs (non disponible en Europe) |
| Supports d'impression | Bandes continues étiquettes prédécoupées ; papier thermique ou Vinyle / Polyester Largeur maxi. 108 mm (4,25") Largeur mini. 25,4 mm (1,0") Épaisseur 0,0635 mm à 0,254mm (0,0025" à 0,01") |
| Transfert thermique | Cire, Cire / Résine, Résine (encre surface externe) Largeur du transfert thermique : 101,6 mm (4") Longueur maxi. du transfert thermique : 90 M |
| Source d'alimentation | 110/220 VAC ± 10 %, 50/60 Hz, adaptateur secteur externe |
| Liste des agences | CE, UL, CUL, FCC classe A, CCC |
| Environnement de fonctionnement | 4°C à 38°C (40°F à 100°F) ; 10 à 90 % sans condensation |
| Dispositif de coupe | Couteau rotatif |

Copyright

Dieses Handbuch ist urheberrechtlich geschützt. Alle Rechte vorbehalten. Ohne vorherige Zustimmung von Brady Worldwide, Inc., darf dieses Handbuch weder ganz noch auszugsweise kopiert oder vervielfältigt werden.

Auch wenn für die Vorbereitung dieses Dokuments jede Sorgfalt verwendet wurde, übernimmt Brady keine Haftung für Verluste oder Schäden, die durch Fehler oder Auslassungen oder Aussagen verursacht werden und sich aus Fahrlässigkeit, zufälligem Untergang oder aus anderen Gründen ergeben. Brady übernimmt auch keine Haftung, die sich aus dem Einsatz oder aus der Verwendung der hier beschriebenen Produkte oder Systeme ergeben könnte. Ausgeschlossen wird auch jede Haftung für inzidente oder Folgeschäden, die aus der Verwendung dieses Dokuments entstehen.

Brady übernimmt keine Gewähr für die Handelsfähigkeit oder Eignung für einen bestimmten Zweck.

Brady behält sich das Recht vor, jedes der hier beschriebenen Produkte oder Systeme jederzeit ohne besonderen Hinweis zu ändern, um die Zuverlässigkeit, den Betrieb oder die Auslegung zu verbessern.

Die insgesamt oder teilweise Wiedergabe dieses Materials ohne schriftliche Erlaubnis von Brady Worldwide, Inc., ist ohne Ausnahme untersagt.

Um dieses Handbuch so zutreffend und komplett zu machen, wurde keine Mühe gescheut. Brady Worldwide, Inc. haftet nicht für Ungenauigkeiten und Auslassungen bei der Etikettenerstellung, die sich während der Verwendung dieses Handbuchs ergeben.

Dieses Handbuch ist geistiges Eigentum von Brady Worldwide, Inc., und kann von Zeit zu Zeit ohne besonderen Hinweis geändert werden.

Brady Worldwide, Inc., lehnt jede Verpflichtung ab, Ihnen gegebenenfalls neue Versionen zu liefern.

Alle in diesem Handbuch erwähnten Marken oder Produktnamen sind Warenzeichen oder eingetragene Warenzeichen der jeweiligen Firmen oder Organisationen.

MINIMARK™ und MarkWare™ sind eingetragene Warenzeichen von Brady Worldwide, Inc.

Windows ist ein Warenzeichen der Microsoft Corporation.

© 2005 Brady Worldwide, Inc. Alle Rechte vorbehalten.

Dieses Gerät ist RoHS (2002/95/EC) konform.

Deutsch

Inhalt

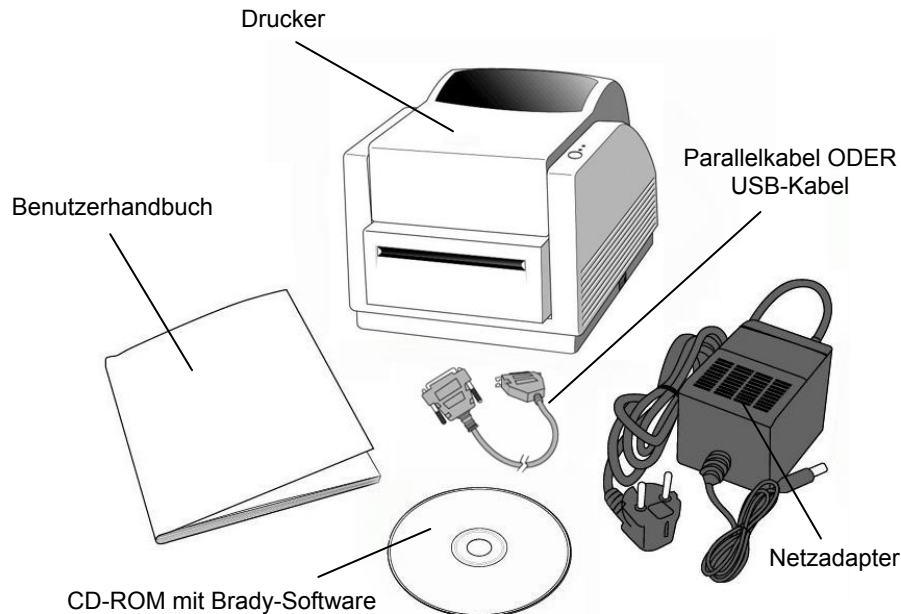
| | |
|--|-----------|
| 1. Überprüfung der Versandpackung | 57 |
| 2. Netzteil | 57 |
| 3. Teile und Funktionen | 59 |
| 4. Einlegen des Farbbands | 61 |
| 5. Laden der Druckermedien | 66 |
| 6. Bedienelemente | 71 |
| 7. Ausführen der Kalibrierung | 72 |
| 8. Anschließen des Druckers an den Computer | 72 |
| 9. MINIMARK-Druckertreiber | 74 |
| 10. Fehlerbehebung | 77 |
| 11. Instandhaltung des Druckers | 80 |
| 12. Technische Daten | 81 |

1. Überprüfung der Versandpackung

Beim Empfang der Versandpackung Ihres Druckers empfehlen wir Ihnen, sich zunächst zu vergewissern, dass keine Transportschäden vorliegen. Sie können dies auf zwei Arten tun:

1. Führen Sie eine Sichtprüfung der Versandpackung und des Druckers durch, um mögliche äußerliche Schäden festzustellen.
2. Nehmen Sie die Abdeckung des Druckers ab, um sicherzustellen, dass die Fächer für die Druckmedien in Ordnung sind. Falls Schäden eingetreten sind, machen Sie sofort Ihre Entschädigungsansprüche gegenüber dem Spediteur geltend.

Nach Durchführung der ersten Prüfungen vergewissern Sie sich im nächsten Schritt, ob Sie zusammen mit dem Drucker folgendes Zubehör erhalten haben. Sollte eines der genannten Elemente fehlen, wenden Sie sich an Ihren Händler, um es zu erhalten.

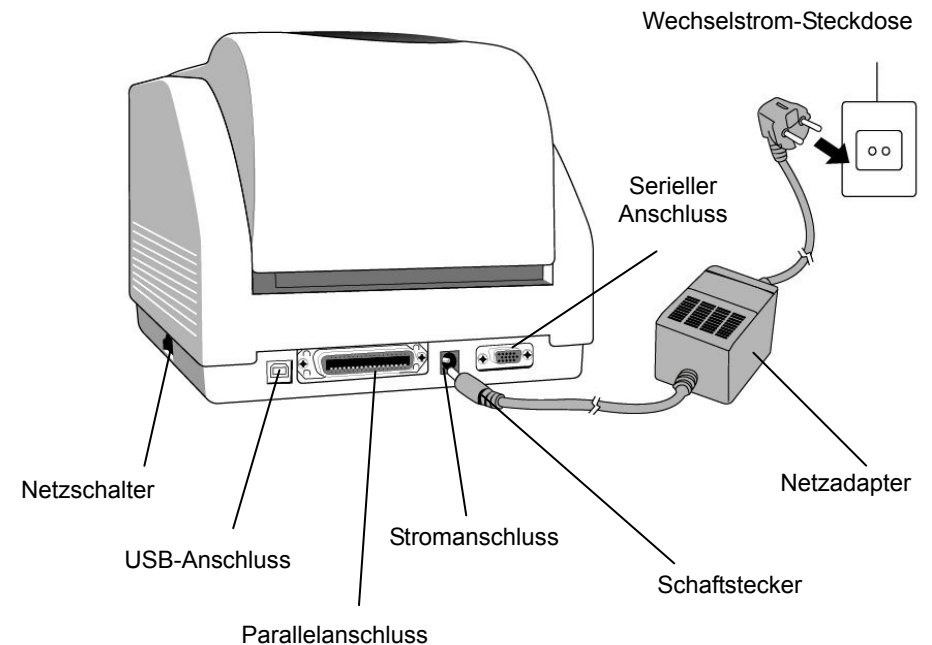


2. Netzteil

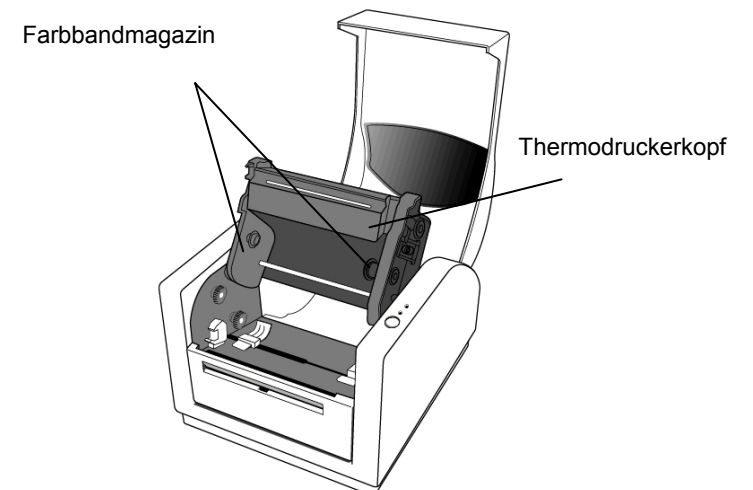
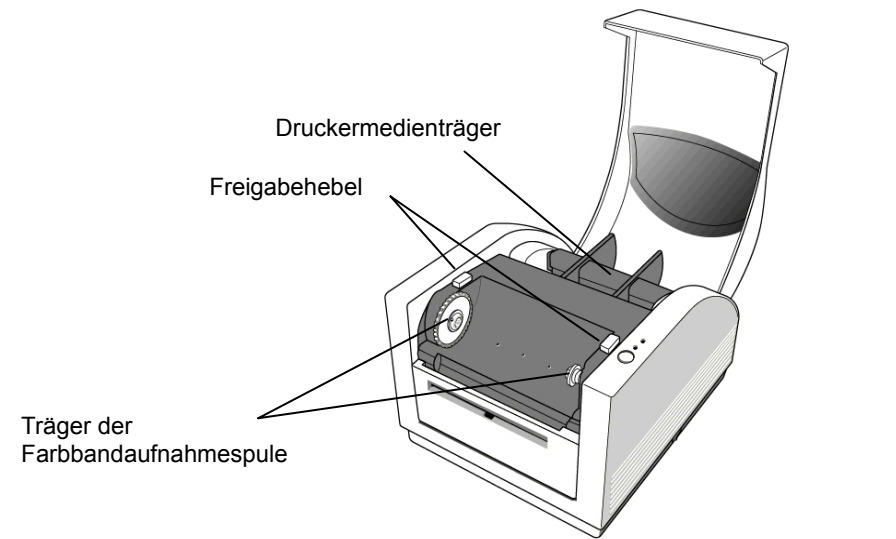
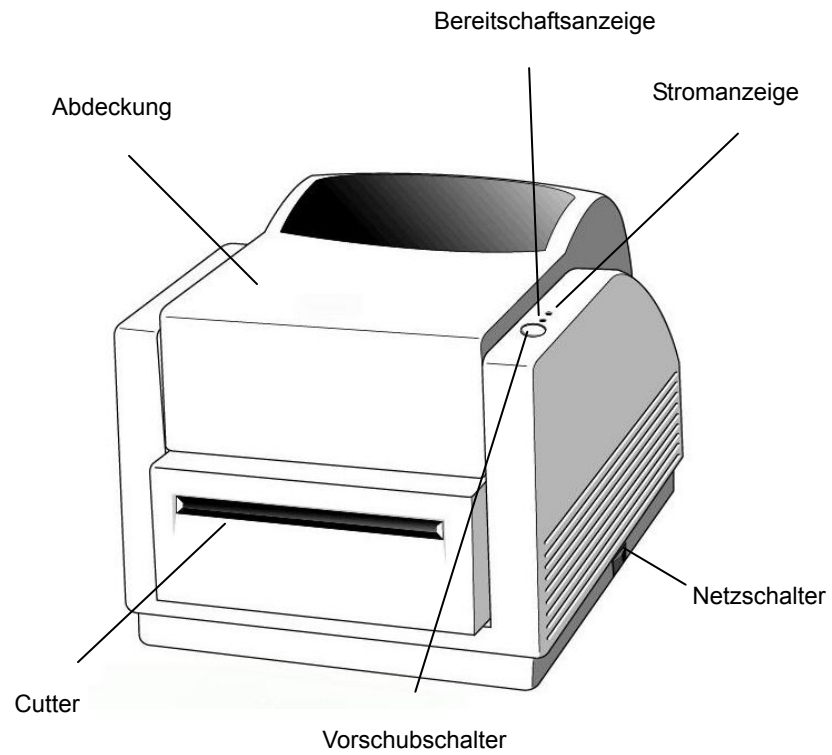
WARNUNG:

BETREIBEN SIE DEN DRUCKER UND DAS NETZTEIL NIE IN BEREICHEN, IN DENEN SIE NASS WERDEN KÖNNTEN.

1. Der Netzadapter hat an einem Ende einen zylinderförmigen Stecker, der in die Stromanschlussbuchse auf der Rückseite des Druckers eingeführt werden muss.
2. Stecken Sie das andere Ende des Kabels in eine passende Wechselstrom-Steckdose.
3. Wenn Sie den Stecker an die Stromanschlussbuchse anschließen, lassen Sie den Netzschalter in der Stellung "O". Berühren Sie nicht den 36-poligen Parallelstecker.



3. Teile und Funktionen

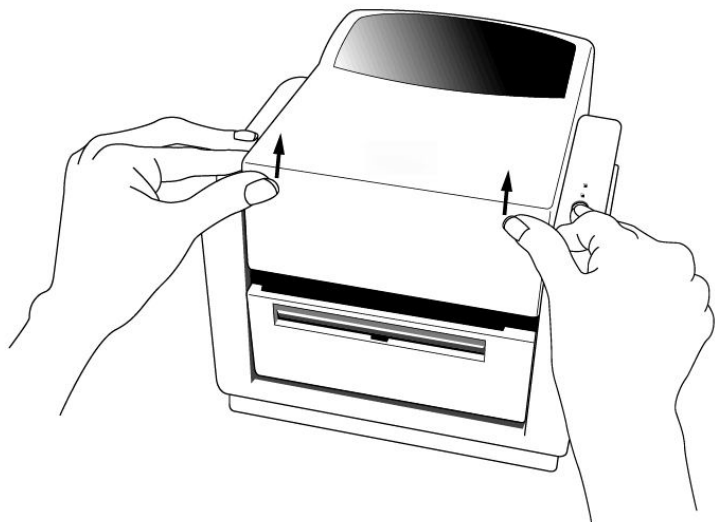


4. Einlegen des Farbbands

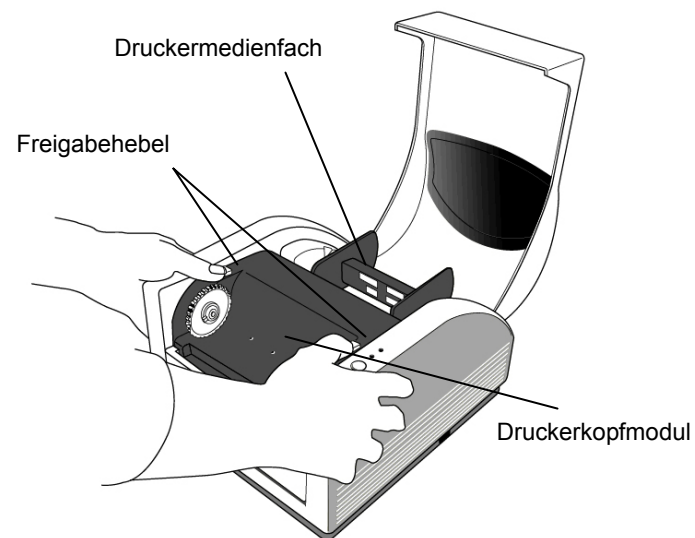
Hinweis:

Dieser Abschnitt gilt nicht für direktes Thermodrucken, für das kein Farbband erforderlich ist.

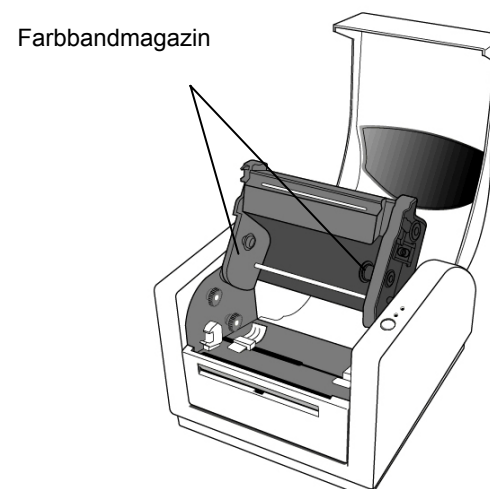
5. Heben Sie die Abdeckung an, um das Druckmedienfach zu öffnen.



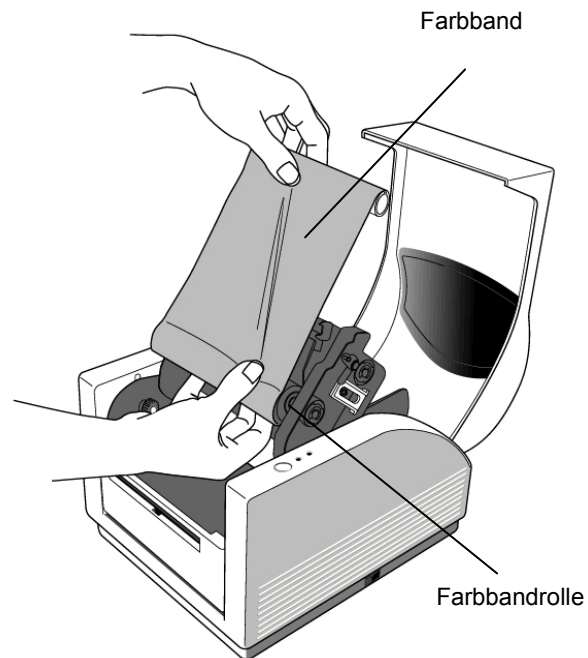
2. Lösen Sie das Druckerkopfm modul aus seiner Verriegelung, indem Sie die beiden seitlich angebrachten roten Freigabehebel nach hinten drücken.



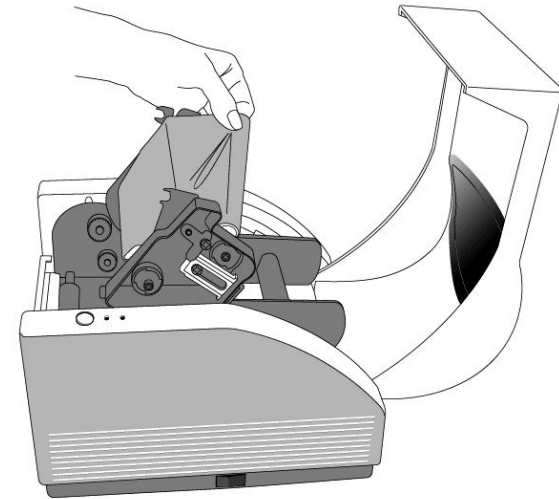
3. Drehen Sie das Druckerkopfm odul um, um Zugang zum Farbbandmagazin zu haben.



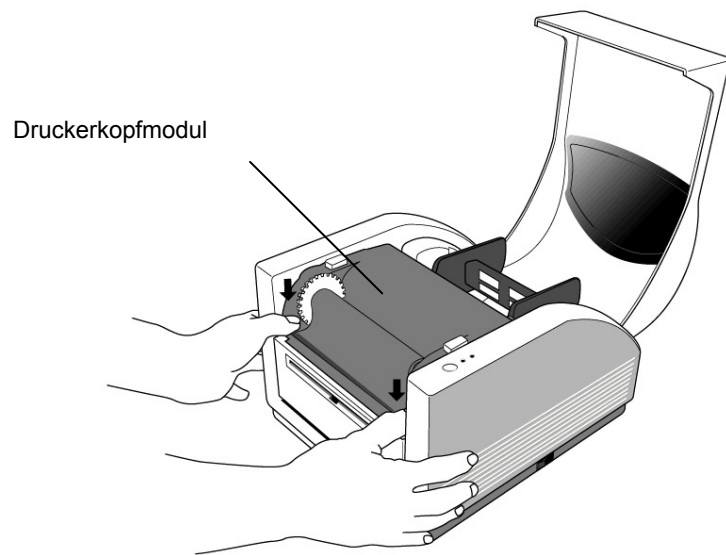
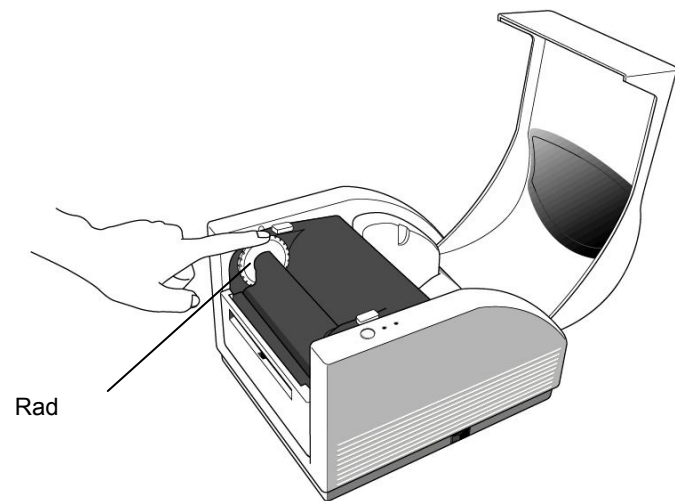
4. Packen Sie die Farbbandrolle aus, und trennen Sie die Farbbandrolle und die leere Spule.
5. Führen Sie das Ende des Farbbands in die Spule ein und wickeln Sie eine kurze Strecke des Bands um die Spule.
6. Setzen Sie die Farbbandrolle in das Magazin ein (Führen Sie erst die rechte und anschließend die linke Seite ein.)



7. Drehen Sie das Druckerkopfmodul um, und setzen Sie die leere Spule in den dafür vorgesehenen Halter ein. (Führen Sie erst die rechte und anschließend die linke Seite ein.)



8. Drehen Sie das Rad des Druckerkopfmoduls, bis das Farbband fest aufgewickelt ist.
9. Drücken Sie das Druckerkopfmodul auf beiden Seiten fest nach unten, bis es beidseitig hörbar einrastet.



5. Laden der Druckermedien

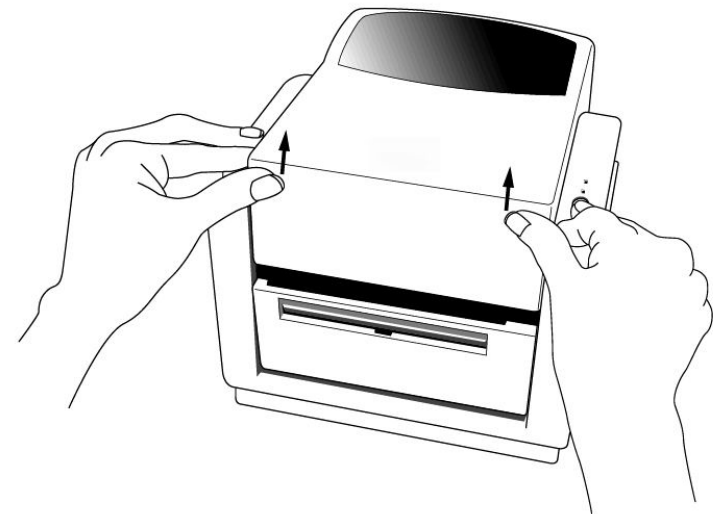
Der MINIMARK-Drucker kann mit zwei Optionen betrieben werden:
Cutter Ein / Cutter Aus.

- Ist der Cutter eingeschaltet, wird das bedruckte Etikett vom Drucker automatisch abgeschnitten (zwei Möglichkeiten: Schneiden nach jedem Etikett oder Schneiden am Ende des Druckauftrags).
- Ist der Cutter ausgeschaltet, schneidet der Drucker keine Etiketten ab.

Der Cutter wird in der Druckerkonfiguration von Markware ein- und ausgeschaltet.

Laden der Druckermedien (Endlosband oder vorgestanzte Etiketten)

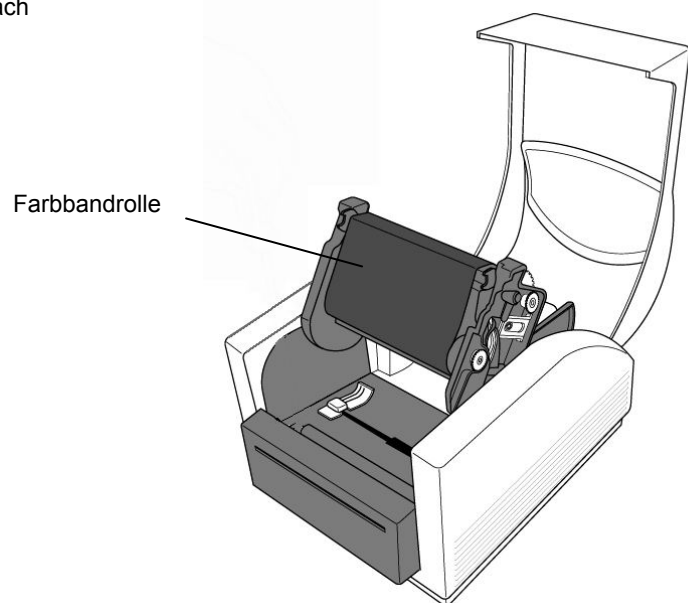
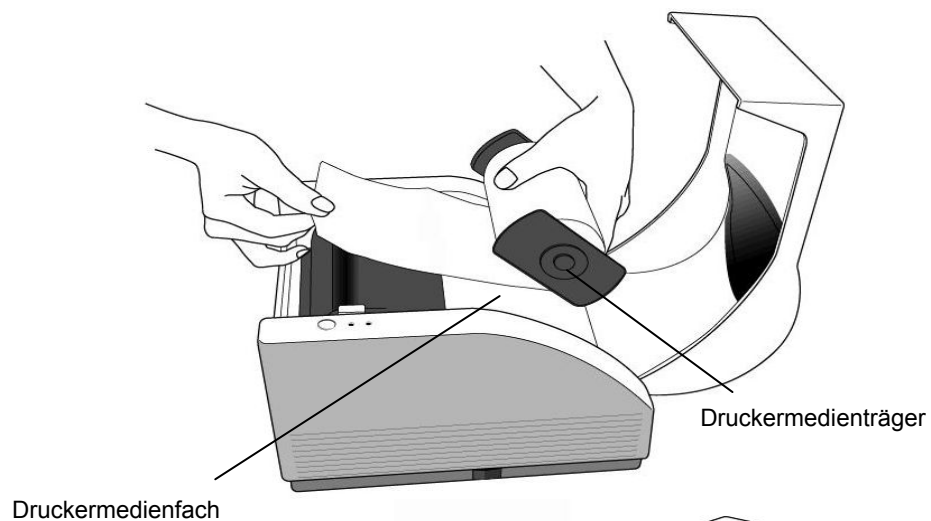
1. Heben Sie die Abdeckung an, um das Druckmedienfach zu öffnen.



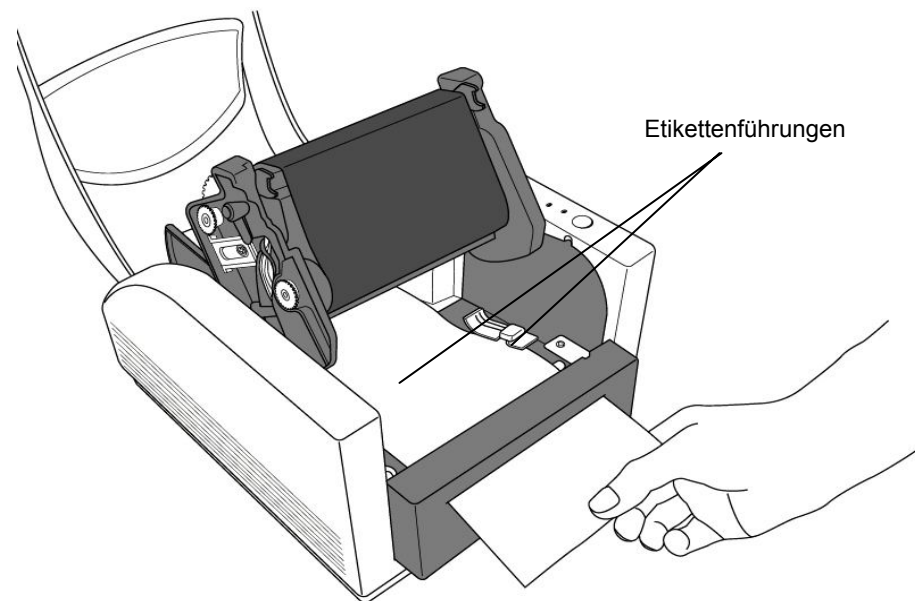
2. Entfernen Sie den Druckermedienhalter.

3. Setzen Sie die Rolle mit den Druckermedien in den Halter ein.

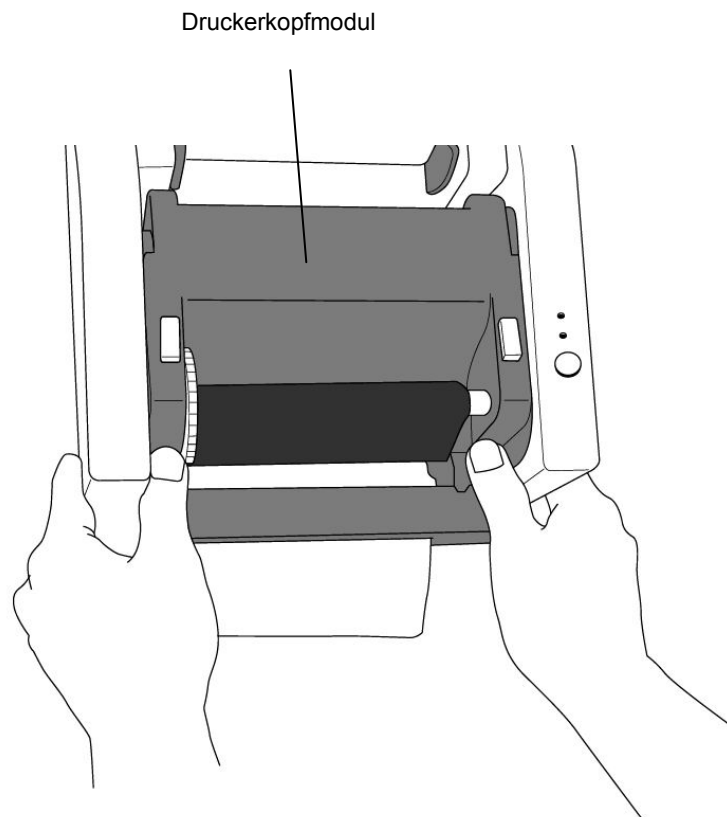
4. Lösen Sie die Sperre des Druckerkopfmoduls.



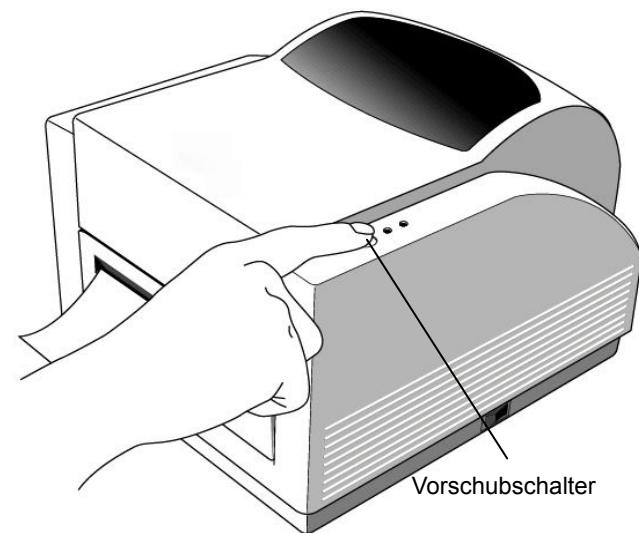
5. Führen Sie das Etikett durch die Etikettenführungen und mit der anderen Hand durch den Cutter (unter der gebogenen schwarzen Platte). Die Etikettenführungen können mittig an verschiedene Etikettenbreiten angepasst werden.



6. Drücken Sie das Druckerkopfmodul auf beiden Seiten fest nach unten, bis es hörbar einrastet.



7. Schließen Sie die Abdeckung und schalten Sie den Drucker ein oder, falls der Drucker bereits eingeschaltet ist, drücken Sie den Vorschubschalter.



Hinweis:

Der Vorschubschalter schaltet nicht den Cutter ein. Der Cutter funktioniert nur, wenn die Software entsprechend eingestellt wurde.

6. Bedienelemente

Netzschalter

Steuert die Stromversorgung des Druckers.

1. Ein: Normaler Betrieb – Position "I"
2. Aus: Der Strom sollte ausgeschaltet werden, ehe Daten- und Stromkabel angeschlossen oder abgetrennt werden - Position "O"

Vorschubschalter

Zum Vorschub der Etiketten in die erste Druckposition

1. Drücken, um ein kleines Stück des Endlosbands oder ein Etikett zu befördern.
2. Drücken, um eine Druckerpause zu unterbrechen.

Bereitschaftsanzeige

Zeigt den Zustand des Druckers an.

1. Grün: Der Drucker ist betriebsbereit.
2. Blinkt: Druckerpause

Stromanzeige

Zeigt Zustand der Stromversorgung und Fehler an.

1. Aus: Drucker ist ausgeschaltet.
2. Grün: Drucker ist eingeschaltet.
3. Blinkt: Fehlerzustand

7. Ausführen der Kalibrierung

1. Halten Sie den Vorschubschalter gedrückt, während Sie den Drucker einschalten, bis der Druckermotor aktiviert ist.
2. Die Kalibrierung wurde durchgeführt, während der Drucker automatisch Etiketten über eine bestimmte Länge eingezogen hat.

8. Anschließen des Druckers an den Computer

Hinweis:

Der Schaftstecker für die Stromversorgung muss an die Stromanschlussbuchse auf der Rückseite des Druckers angeschlossen werden, ehe die Datenkabel angeschlossen werden.

Dieser Drucker wird mit einem neunpoligen seriellen RS-232-Anschluss nach dem Standard der Electronics Industries Association (EIA), einem parallelen Centronics-Standardanschluss und einem USB-Anschluss geliefert. In allen Fällen müssen Sie das für Ihre Anwendung erforderliche Datenkabel bereithalten.

Hinweis:

Dieser Drucker entspricht Teil 15 der "Rules and Regulations" der FCC für Geräte der Klasse A, wenn voll abgeschirmte Datenkabel bis 1,60 m verwendet werden. Die Verwendung längerer oder nicht abgeschirmter Kabel kann zu Strahlungen führen, die über den Grenzwerten für die Klasse A liegen.

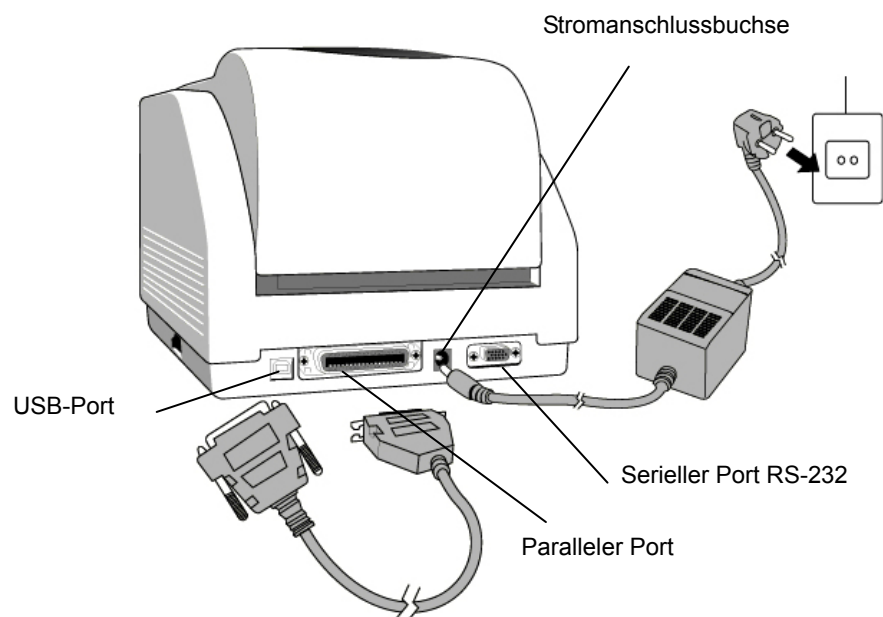
Voraussetzungen des seriellen Anschlusses RS-232

Das erforderliche Kabel muss an einem Ende einen neunpoligen D-Stecker haben, der in den passenden seriellen Anschluss auf der Rückseite des Druckers gesteckt wird. Das andere Ende dieses Datenkabels wird an den seriellen Port des Computers angeschlossen.

Für den seriellen Port gelten folgende Einstellungen:

Baudrate: 9600 – Stoppbit: 1 – Datenbit: 8 – Parität: None –

Flusskontrolle: Xon / Xoff



Voraussetzungen des parallelen Anschlusses

Das erforderliche Kabel (empfohlen wird der Standard IEEE 1284) muss an einem Ende einen 36-poligen Standard-Parallelstecker aufweisen, der in den parallelen Anschluss auf der Rückseite des Druckers gesteckt wird. Das andere Ende dieses parallelen Datenkabels wird an den Druckeranschluss des Computers angeschlossen.

Um elektrische Störungen im Kabel zu vermeiden, gilt Folgendes:

- Halten Sie die Datenkabel möglichst kurz (empfohlene Länge 1,80 m).
- Führen Sie die Datenkabel nicht eng an Stromkabeln entlang.
- Binden Sie die Datenkabel nicht an Stromleitungen.

Hinweise:

1. **Die Verwendung von Centronics ermöglicht höhere Übertragungsgeschwindigkeiten als ein serieller Anschluss.**
2. **Es ist nicht erforderlich, einen Schalter zu setzen oder einen Befehl zu senden, um den parallelen oder seriellen Anschluss auszuwählen. Der Drucker entdeckt den Anschlussstyp automatisch.**
3. **Wenn ein USB-Port ausgewählt wird, ist ein normales USB-Kabel zu verwenden.**

9. MINIMARK-Druckertreiber

Der MINIMARK-Druckertreiber ist auf der Markware-CD-ROM 3.4 oder höher enthalten. Bei Markware 3.5 und höher befindet er sich auf einer eigenen Druckertreiber-CD-ROM. Dieser Treiber kann unter Windows 98SE/NT4/2000/XP installiert werden.

Installation des MarkWare 3.4 oder höher MINIMARK-Druckertreibers

1. Installieren Sie MarkWare, falls nicht schon geschehen.
2. Legen Sie die **MarkWare 3.4 oder höher MINIMARK CD** in Ihr CD-ROM-Laufwerk ein. Sie können die Treiber auch von der Brady-Website herunterladen.

Hinweis: Wenn die Installations-CD-ROM nicht automatisch startet, gehen Sie zu **Start \ Windows Explorer** und wählen dann das Laufwerk (zum Beispiel **D:**), in das Sie die MW3.4 oder höher CD eingelegt haben.

3. Das Dialogfeld **Choose Setup Language** (Sprache der Konfiguration wählen) wird angezeigt. Wählen Sie eine Sprache, und klicken Sie auf **OK**.

4. Das Dialogfeld **Choose Printer Port** (Drucker-Port wählen) wird angezeigt. Klicken Sie in der Liste auf den gewünschten Port, und klicken Sie auf **Next** (Weiter). Der Druckertreiber wird automatisch installiert. Falls Sie einen USB-Anschluss wünschen, klicken Sie auf USB001.

5. Wenn die Installation des Druckertreibers abgeschlossen ist, werden Sie gefragt, ob der Computer neu gestartet werden soll. Klicken Sie auf **Yes** (Ja) oder, wenn Sie den Computer erst später neu starten möchten, auf **No** (Nein).

Einstellung der Parameter

Nach Installation des Treibers wählen Sie folgenden Pfad, um Parameter einzustellen:

Start → Einstellungen → Drucker → MINIMARK → Eigenschaften

Hier finden Sie folgende Parameter:

Ports : Wählen Sie den Port, an den der Drucker angeschlossen werden soll. Der Port kann parallel (LPT), seriell (COM), USB001 oder File (Datei) sein.

Papiergröße (Paper size) : Wählen Sie im Menü das gewünschte Format.

Format (Orientation) : Wählen Sie je nach Druckausrichtung Hoch- oder Querformat.

10. Fehlerbehebung

Falls der Drucker in einem Fehlerzustand ist, blinkt in der Regel das LED der Stromanzeige. Der Druckauftrag wird abgebrochen, und die Datenübertragung zwischen Computer und Drucker endet.

Um das Problem richtig zu erfassen, überprüfen Sie zunächst den Zustand der beiden LEDs:

A. Stromanzeige- und Betriebsbereitschafts-LEDs blinken im selben Rhythmus

| Stromanzeige-LED | Betriebs-LED |
|------------------|--------------|
| EIN | EIN |
| AUS | AUS |

| Mögliche Probleme | Lösung | Bemerkung |
|--|---|--|
| Trennsplatt falsch ermittelt (vorgestanztes Etikett) | . Überprüfen Sie den Transportweg der Etiketten . Überprüfen Sie den Etikettensensor | Wenn Sie Endlosetiketten unter Windows verwenden, sollten Sie die Option für Endlosdruckermedien wählen. |
| Kein Etikett eingeführt | . Führen Sie die Etiketten ein. | |
| Keine Etiketten eingesetzt. | . Setzen Sie die Etikettenrolle ein. | |
| Etikettenstau | . Beheben Sie den Stau. | |

B. Die Stromversorgungs- und Betriebsbereitschafts-LEDs blinken abwechselnd

| Stromanzeige-LED | Betriebs-LED |
|------------------|--------------|
| EIN | AUS |
| AUS | EIN |

| Mögliche Probleme | Lösung | Bemerkung |
|----------------------------|-------------------------------------|--------------------------------------|
| Farbband zu Ende | . Setzen Sie die Farbbandrolle ein. | Gilt nicht für direkten Thermodruck. |
| Farbbandstau | . Beheben Sie den Stau. | |
| Fehler des Farbbandsensors | . Ersetzen Sie den Farbbandsensor. | |

C. Nur das Stromversorgungs-LED blinkt

| Stromanzeige-LED | Betriebs-LED |
|------------------|--------------|
| EIN | EIN |
| AUS | EIN |

| Mögliches Problem | Lösung | Bemerkung |
|---|---|---|
| Serieller Fehler | . Überprüfen Sie die Baudrate | Gilt nicht für Centronics |
| Speicher voll | . Fügen Sie RAM-Erweiterung hinzu | |
| Cutter funktioniert nicht, oder Etikettenstau am Cutter | . Überprüfen Sie den Cutter. . Beheben Sie den Stau. | Kommt vor, wenn der Cutter aktiviert, aber das Datenkabel abgetrennt ist. |
| Hardwarefehler | . Wenden Sie sich an den Kundendienst. | |

D. Sonstiges

- Am Computer wird "Drucker-Timeout" angezeigt."
 1. Überprüfen Sie, ob das Datenkabel (parallel, seriell oder USB) ordnungsgemäß an den entsprechenden (parallelen, seriellen oder USB-) Anschluss am PC und am anderen Ende an die Steckbuchse des Druckers angeschlossen ist.
 2. Überprüfen Sie, ob der Drucker eingeschaltet ist.
- Wenn das Stromkabel angeschlossen und der Netzschalter in Position "I" ist, das Stromanzeige-LED aber trotzdem nicht leuchtet, überprüfen Sie die Sicherung im Gehäuse des Netzteils.
- Die Daten wurden übertragen, aber der Drucker druckt nicht.Überprüfen Sie, ob der MINIMARK-Drucker als aktiver Druckertreiber ausgewählt wurde.
- Vertikale Streifen auf den gedruckten Etiketten deuten in der Regel auf einen verschmutzten oder defekten Druckerkopf hin. Reinigen Sie zunächst den Druckerkopf. Wenn weiterhin Streifen zu sehen sind, ist der Druckerkopf auszuwechseln.
- Schlechte Qualität der gedruckten Etiketten.
 - . Womöglich wird ein falsches Farbband verwendet.
 - . Womöglich wird ein falsches Druckmedium verwendet.
 - . Stellen Sie den Dunkelwert (Temperatur beim Erhitzen) ein.
 - . Reduzieren Sie die Druckgeschwindigkeit.
 - . Sehen Sie im folgenden Abschnitt nach, um die betroffenen Teile zu reinigen.

Wiederaufnahme des Betriebs

Zur Fortsetzung der Druckaufträge nach Korrektur von Fehlern drücken Sie einfach auf die Vorschubtaste oder starten den Drucker neu. Vergewissern Sie sich, dass die LEDs nicht blinken, und senden Sie die Dateien erneut an den Drucker.

11. Instandhaltung des Druckers

Vor der Durchführung irgendwelcher Wartungsarbeiten den Stromstecker des Druckers aus der Steckdose ziehen.

Reinigen Sie die folgenden Bereiche des Druckers, nachdem 5 bis 8 Rollen Endlos- oder Stanzetiketten verbraucht wurden. Verwenden Sie stets einen mit Isopropylalkohol befeuchteten Wattebausch. Der Wattebausch sollte nicht zu stark getränkt sein.

Reinigung

■ Thermodruckerkopf

Bei Verwendung von Thermopapier und -farbband werden Rückstände am Druckerkopf abgelagert, was die Druckqualität verschlechtert. Reinigen Sie den Druckerkopf mit einem mit Isopropylalkohol befeuchteten Wattebausch. Berühren Sie keinesfalls das Heizelement. Rückstände oder Verschmutzungen auf der Rolle sollten mit Alkohol entfernt werden.

■ Papiersensor

Rückstände oder Verschmutzungen am Papiersensor führen zu falscher oder unzuverlässiger Erkennung der Spalten zwischen den Etiketten. Reinigen Sie den Sensor mit einem mit Alkohol befeuchteten Wattebausch.

■ Schneidevorrichtung

Klebstoff vom Etikettenmaterial kann sich mit der Zeit an der Klinge und dem Gehäuse der Schneidevorrichtung ablagern und unter Umständen zu Blockierungen der Schneidevorrichtung führen. Mit einem Wattebausch, der mit Alkohol befeuchtet ist, reinigen. Aus Sicherheitsgründen darauf achten, dass die Finger während des Reinigens nicht in die Öffnung des Gehäuses der Schneidevorrichtung gelangen.

12. Technische Daten

| Merkmal | MINIMARK |
|------------------------|--|
| Druckverfahren | Thermotransfer |
| Druckauflösung | 203 dpi (8 dots/mm) |
| Druckgeschwindigkeit | 51 - 102 mm/s (4" - 100 mm/s wird automatisch auf 3 - 75 mm/s reduziert, wenn der Cutter eingeschaltet ist) |
| Drucklänge | 55 mm - 1143 mm |
| Druckbreite | 104 mm |
| Speicher | 2 MB DRAM 2 MB Flash ROM |
| CPU-Typ | 32 bit RISC Mikroprozessor |
| Papiersensor | Reflektiv Transparent |
| Display | 2 LED-Anzeigen |
| Bedienelemente | 1 Tastschalter |
| Datenschnittstelle | Centronics Serielle Schnittstelle RS-232 Bi-USB (volle Geschwindigkeit) |
| Software | MARKWARE, Version 3.4 und höher ODERSurf on Signs (Ist in Europa nicht erhältlich) |
| Druckmedien | Endlosband mit vorgestanzten Etiketten - Thermopapier oder Vinyl/Polyester Max. Breite 108 mm Min. Breite 25,4 mm - Dicke 0,0635 mm - 0,254 mm) |
| Farbband | Harz (Farbband mit Außenbeschichtung) Farbbandbreite 10 cm Farbbandlänge max. 100 m |
| Stromversorgung | 110/220 VAC \pm 10 %, 50/60 Hz, externer Netzadapter |
| Offizielle Zulassungen | CE, UL, CUL, FCC Klasse A, CCC |
| Betriebsumgebung | 4 °C - 38 °C; Luftfeuchtigkeit 10 - 90 % (nicht kondensierend) |
| Cutter | Schneidscheibe |

Copyright

Op deze handleiding berust copyright met alle rechten voorbehouden. Niets uit deze handleiding mag op enigerlei wijze gekopieerd of gereproduceerd worden zonder voorafgaande toestemming van Brady Worldwide, Inc.

Hoewel alle voorzorgen zijn genomen bij de voorbereiding van dit document, aanvaardt Brady tegenover geen enkele partij enige aansprakelijkheid voor verlies of schade veroorzaakt door fouten of verzuim of door vermeldingen voortvloeiend uit nalatigheid, ongeval of enige andere oorzaak. Bovendien aanvaardt Brady geen aansprakelijkheid die voortkomt uit de toepassing of het gebruik van enig product of systeem dat hierin beschreven is; of enige aansprakelijkheid voor incidentele of indirecte schade die voortkomt uit het gebruik van dit document.

Brady wijst alle garanties af betreffende verkoopbaarheid of geschiktheid voor een bepaald doel.

Brady behoudt zich het recht voor om zonder verdere kennisgeving wijzigingen aan te brengen in alle hierin genoemde producten of systemen ten einde de betrouwbaarheid, de werking of het ontwerp te verbeteren.

Reproductie van dit materiaal in zijn geheel of in gedeelten is ten strengste verboden zonder schriftelijke toestemming van Brady Worldwide, Inc.

Alles is in het werk gesteld om deze handleiding zo nauwkeurig en volledig mogelijk te maken. Brady Worldwide, Inc. is niet aansprakelijk voor onjuistheden en weglatingen in labels die optreden tijdens het gebruik van deze handleiding.

Deze handleiding is het eigendom van Brady Worldwide, Inc. en kan van tijd tot tijd zonder kennisgeving worden herzien.

Brady Worldwide, Inc. wijst alle eventuele interpretaties af dat u recht zou hebben op gereviseerde versies.

Alle productnamen die in deze handleiding zijn vermeld zijn handelsmerken of gedeponeerde handelsmerken van hun respectievelijke bedrijven of organisaties.

MINIMARK™ en MarkWare™ zijn gedeponeerde handelsmerken van Brady Worldwide, Inc.

Windows is een handelsmerk van Microsoft Corporation.

© 2005 Brady Worldwide, Inc. Alle rechten voorbehouden.

Dit apparaat voldoet aan de Richtlijn RoHS 2002/95/EC.

Inhoud

| | |
|-----------------------------------|-----|
| 1. Doos controleren | 84 |
| 2. Voeding | 85 |
| 3. Onderdelen en functies | 86 |
| 4. Inktrol laden | 88 |
| 5. Afdrukmedia laden | 93 |
| 6. Bedieningsorganen | 98 |
| 7. Printer kalibreren | 99 |
| 8. Printer en computer aansluiten | 99 |
| 9. MINIMARK printerstuurprogramma | 101 |
| 10. Probleemoplossing | 103 |
| 11. De printer verzorgen | 106 |
| 12. Technische gegevens | 107 |

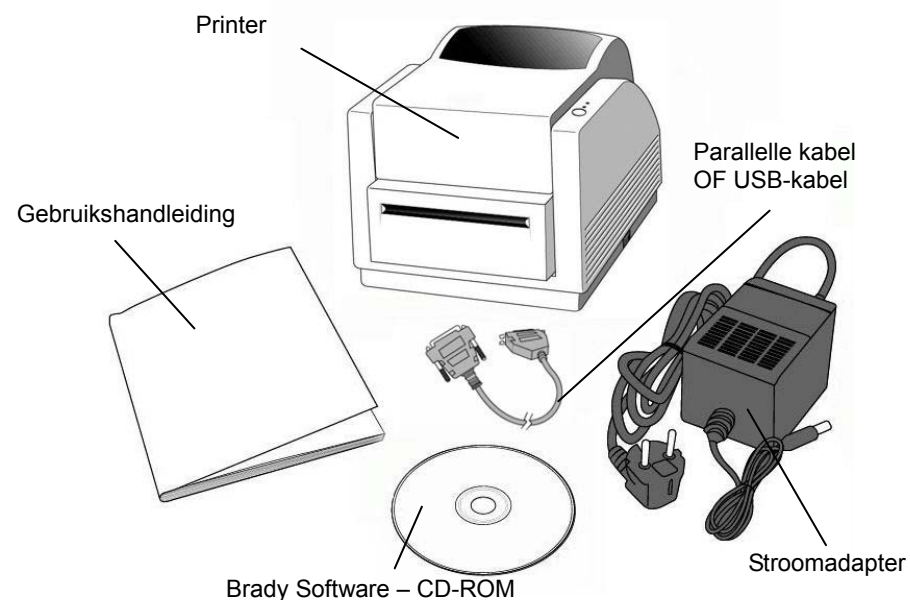
1. Doos controleren

Na ontvangst van de doos met uw printer is het aan te bevelen om eerst te controleren of er eventuele transportschade is ontstaan. Dit kunt u op twee manieren doen:

1. Inspecteer de doos en de printer van buiten op eventuele schade.
2. Til het bovendeksel van de printer op om te controleren of de mediavakken in orde zijn.

Als er schade is ontstaan, dient u onmiddellijk een schadeclaim in te dienen bij het transportbedrijf.

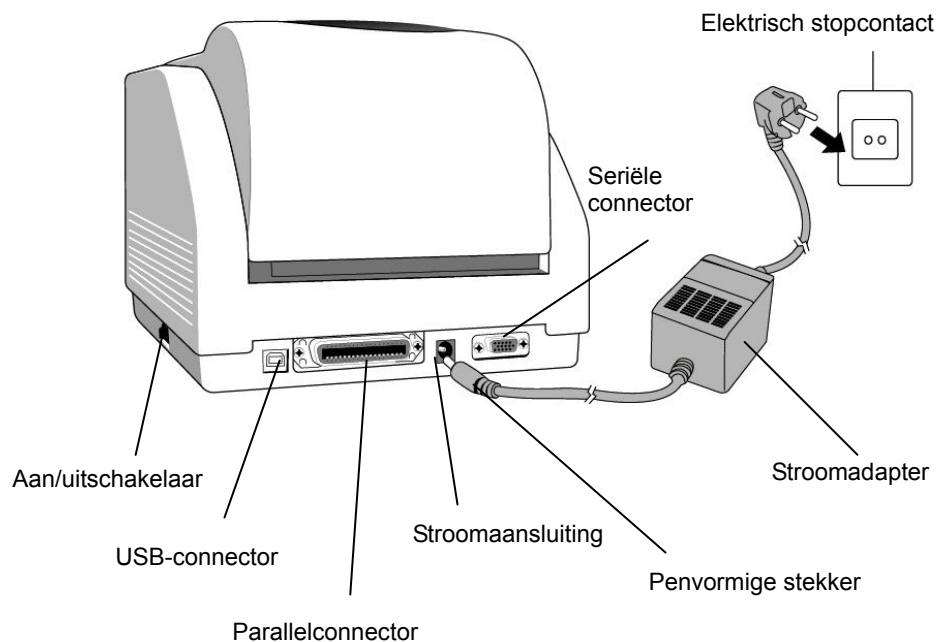
Na deze eerste inspecties controleert u vervolgens of u alle accessoires wel hebt ontvangen die bij de printer horen. Als u iets mist, neemt u contact op met uw lokale leverancier om dit te krijgen.



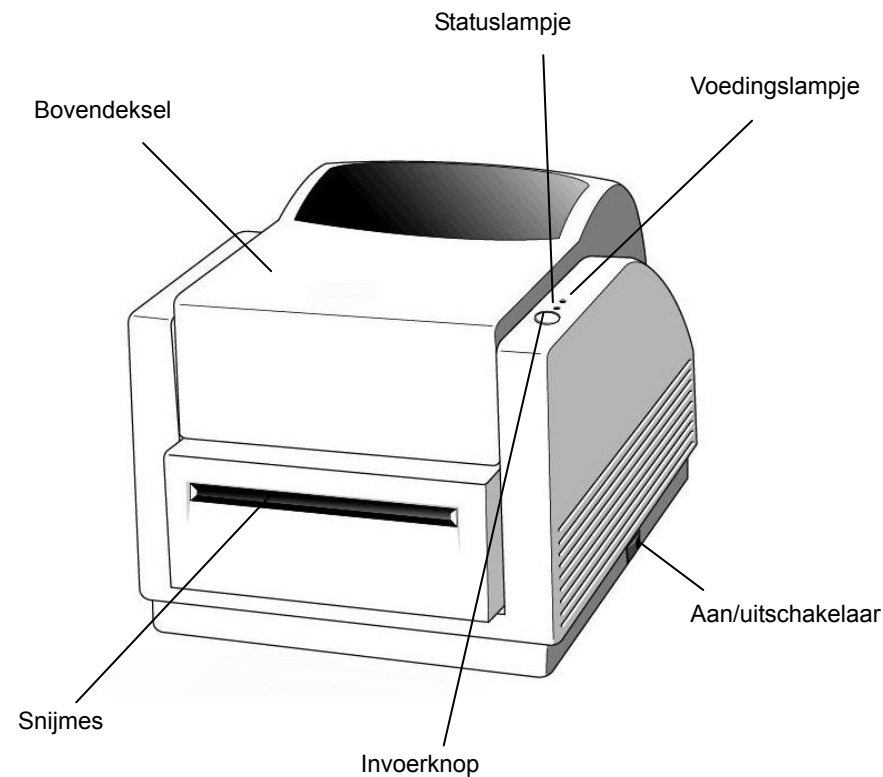
2. Voeding

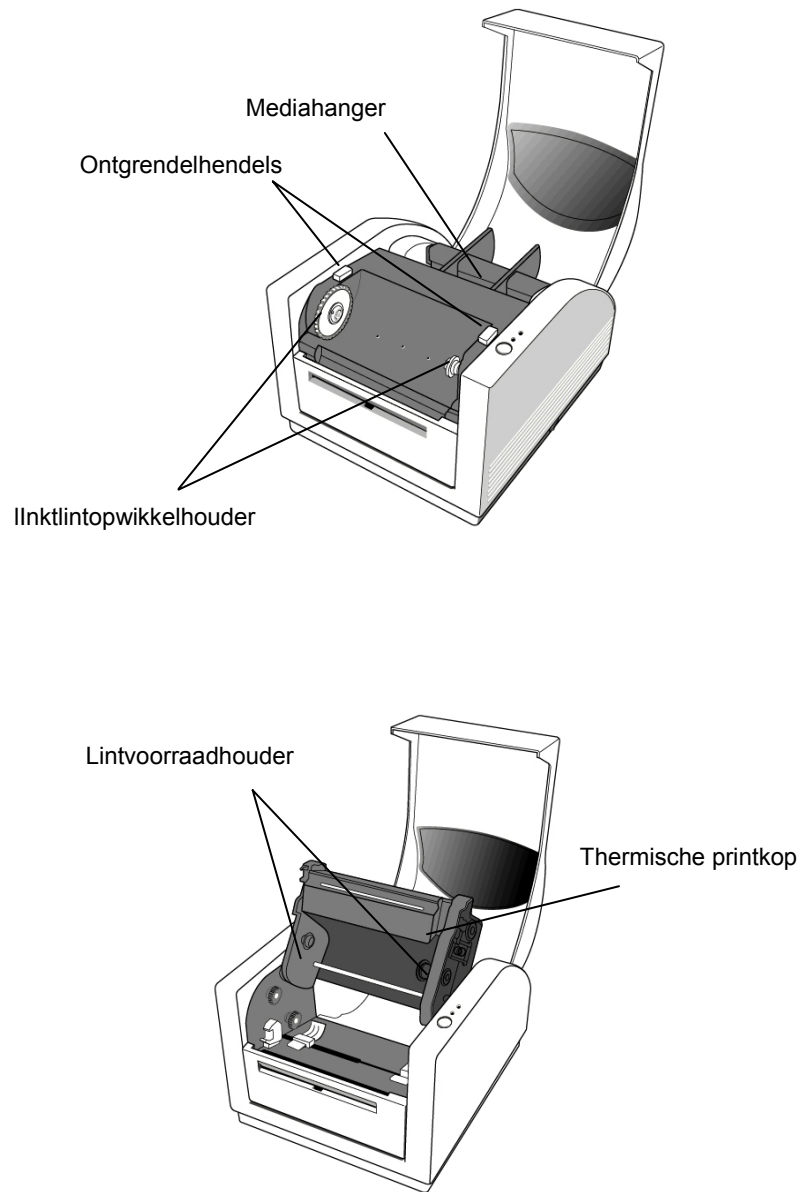
**WAARSCHUWING:
GEBUIK DE PRINTER EN DE VOEDING NOOIT OP EEN
PLAATS WAAR DEZE VOCHTIG KUNNEN WORDEN.**

1. De voedingsadapter heeft een penvormige stekker aan het ene uiteinde die in de stroomaansluiting aan de achterkant van de printer moet worden gestoken.
2. Steek het andere uiteinde van het snoer in een passend stopcontact.
3. Laat de stroomschakelaar op de stand "O" staan als u de stekker in de stroomaansluiting steekt en raak de 36-pens parallelconnector niet aan.



3. Onderdelen en functies



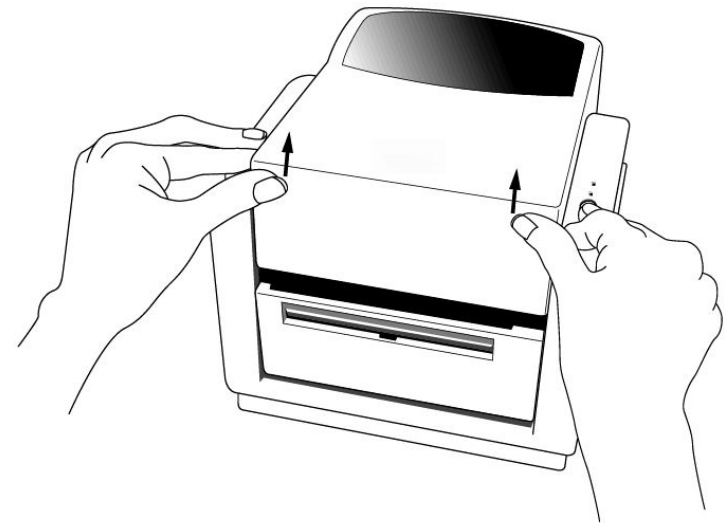


4. Inktrol laden

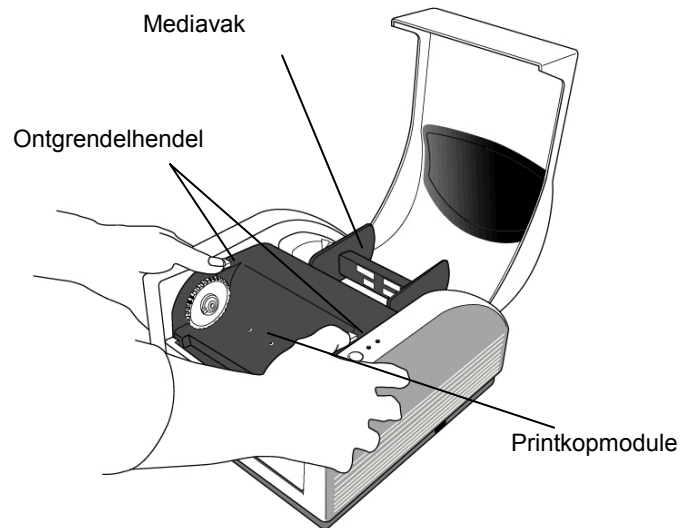
Opmerking:

Dit hoofdstuk is niet van toepassing op een direct thermisch afdruksysteem waarvoor geen thermische inktlint nodig is.

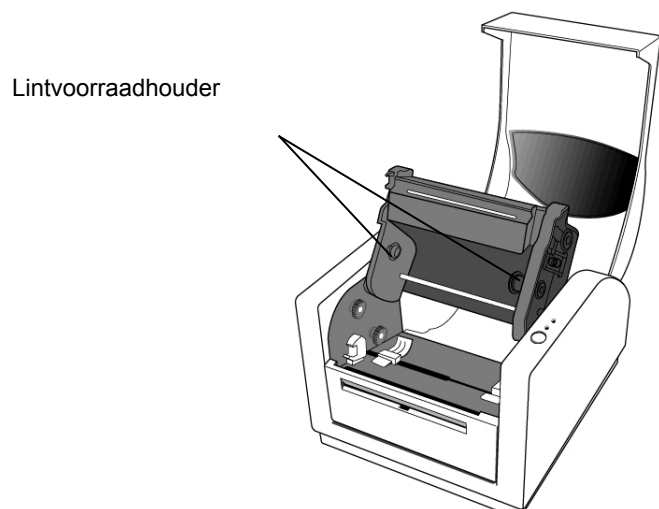
1. Til het bovendeksel op om het mediavak toegankelijk te maken.



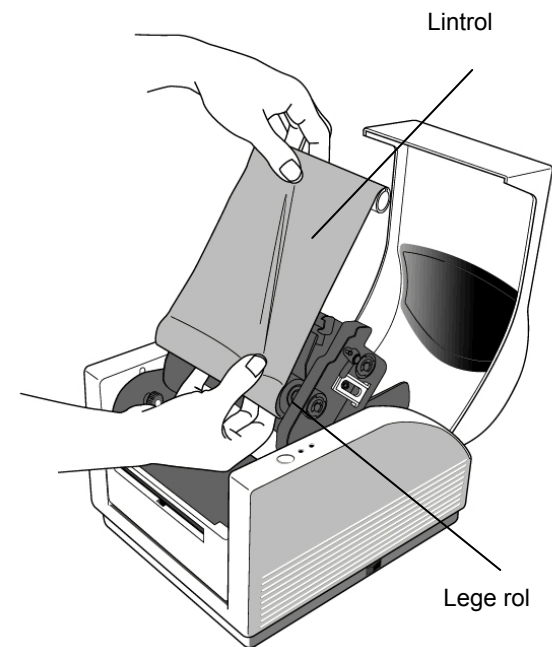
2. Ontgrendel de printkopmodule door de twee paarse ontgrendelhendels aan beide zijkanten naar achteren te duwen.



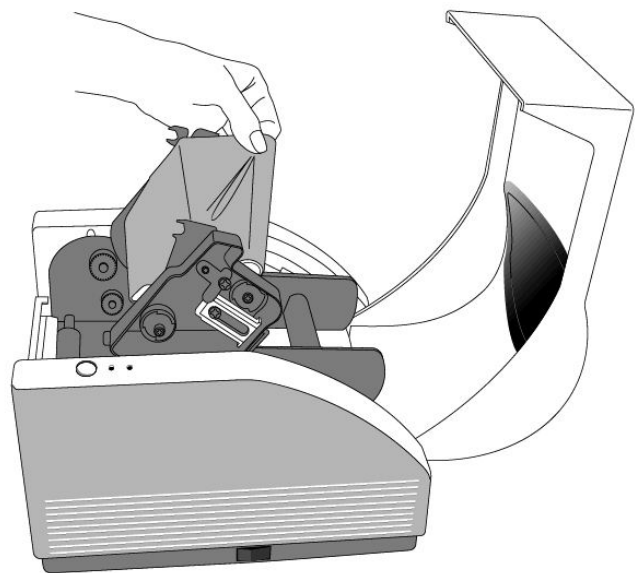
3. Klap de printkopmodule omhoog om de lintvoorraadhouder toegankelijk te maken.



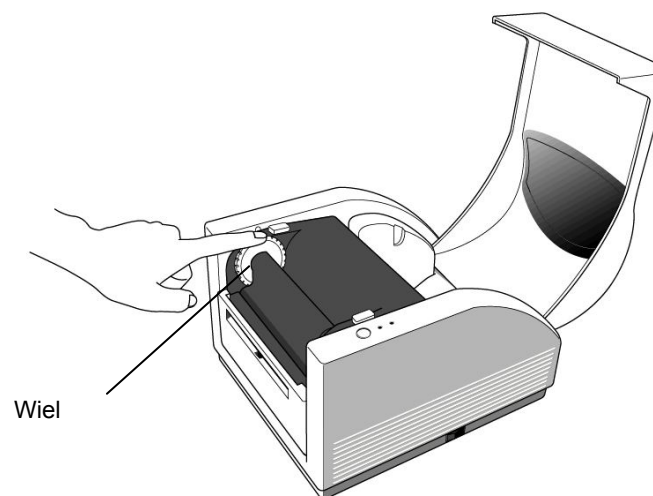
4. Haal de inktlintrol uit de verpakking en pak de inktlintrol en de lege rol.
5. Maak het uiteinde van het inktlint vast op de lege rol en wikkel alvast een beetje lint op de lege rol.
6. Plaats de inktlintrol in de voorraadhouder. (Klik eerst de rechterkant vast en daarna de linkerkant.)



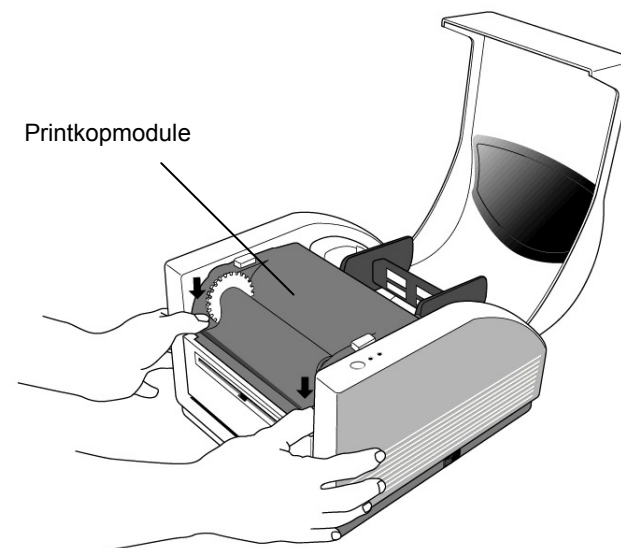
7. Klap de printkopmodule terug omlaag en steek daarna de lege rol in de opwikkelhouder. (Klik eerst de rechterkant vast, daarna de linkerkant.)



8. Draai het wiel van de printkopmodule wat door om te zorgen dat het lint strak wordt opgewonden.
9. Druk de printkopmodule aan beide zijden stevig omlaag tot u een klik hoort aan beide kanten.



Wiel



Printkopmodule

5. Afdrukmedia laden

De MINIMARK printer kan op twee verschillende manieren werken: Snijmes Aan / Snijmes Uit.

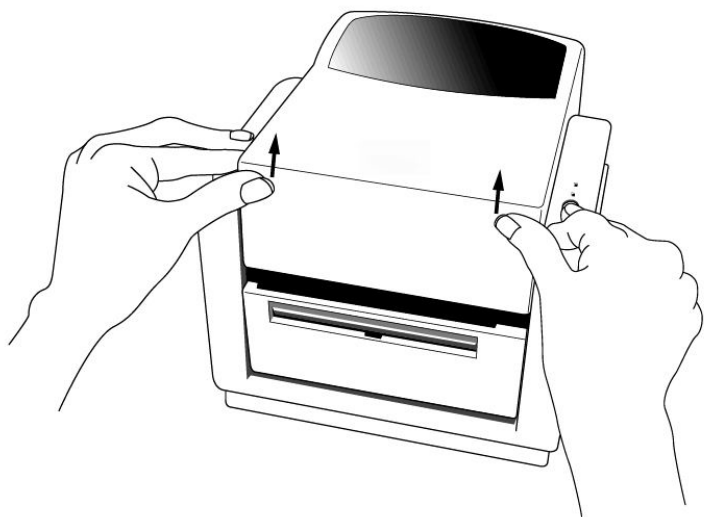
- In de modus Snijmes Aan worden de labels automatisch door de printer afgesneden (2 opties: afsnijden tussen elke label of afsnijden aan het einde van de afdruktaak).

- In de modus Snijmes Uit wordt niets afgesneden.

U kunt de modus Snijmes Aan/Uit instellen in Printerinstelling van Markware.

Afdrukmedia laden (doorlopende band of voorgestante labels)

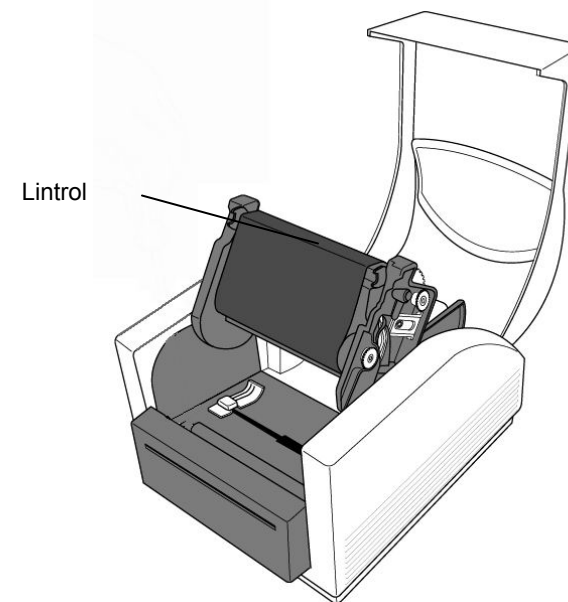
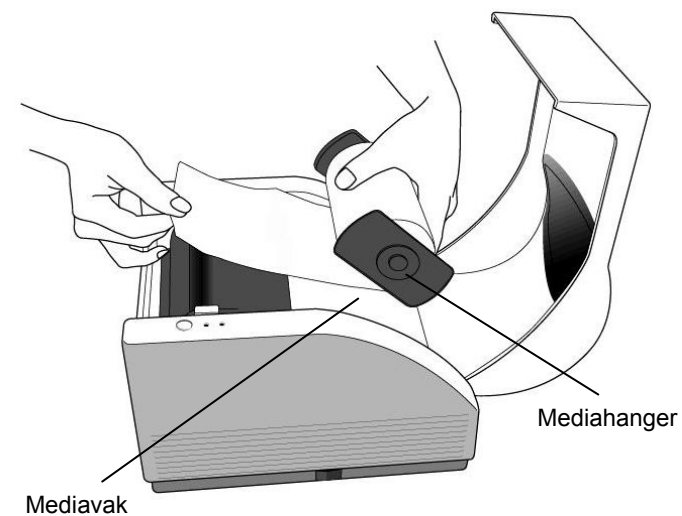
1. Til het bovendeksel op om het mediavak toegankelijk te maken.



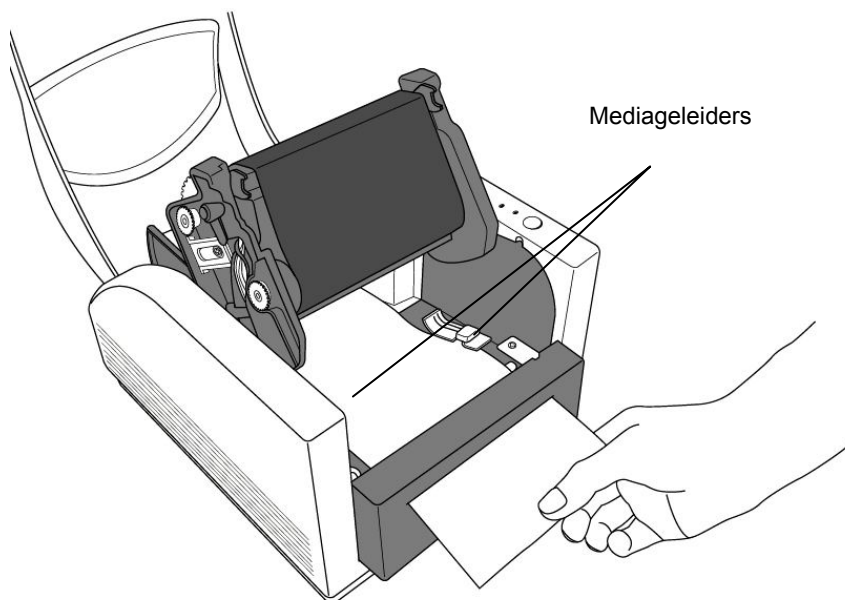
2. Verwijder de mediahanger.

3. Laad de mediarol op de hanger.

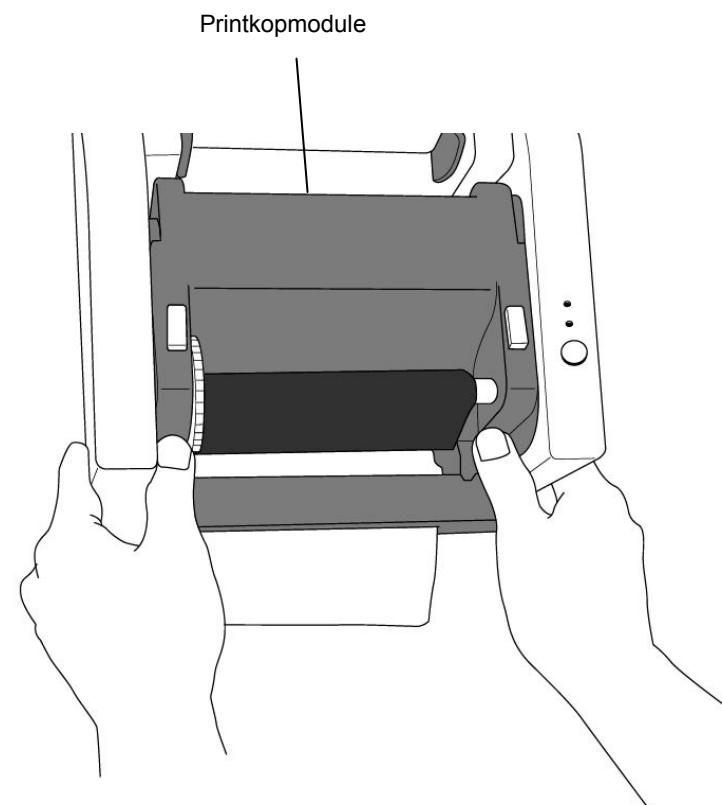
4. Ontgrendel de printkopmodule.



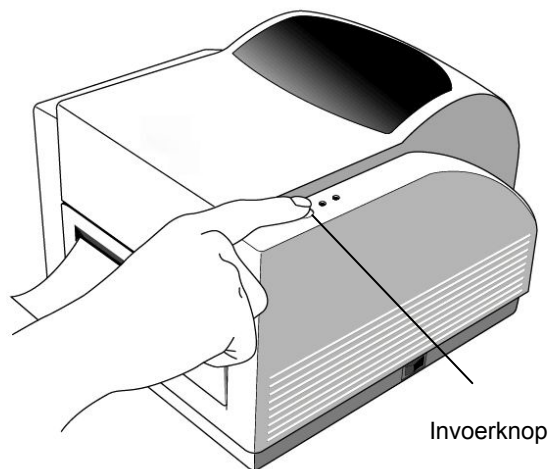
5. Voer de band met labels door de mediageleiders en het snijmes (onder de gebogen achterplaat) met de andere hand. De mediageleider kan zijdelings worden bijgesteld voor labels van verschillende breedtes.



6. Druk de printkopmodule aan beide zijden stevig omlaag tot u een klink hoort aan beide kanten.



7. Sluit het bovendeksel en zet de printer aan of druk op de invoerknop als de printer al aan staat.



Opmerking:

Met de invoerknop kunt u de printer niet forceren om de band door te snijden. De snijfunctie werkt alleen als de software-instelling is zo ingesteld.

6. Bedieningsorganen

Aan/uit-schakelaar

Hiermee zet u de printervoeding aan

1. Aan: normale werking - "I"-stand
2. Uit: de stroom moet zijn uitgeschakeld voordat u de datatransmissiekabels en de voedingskabels aansluit of loskoppelt.

Invoerknop

Hiermee voert u de labelmedia in tot de eerste afdrukpositie

1. Druk hierop om de doorlopende band over een kleine lengte of over de lengte van een label door te voeren
2. Druk hierop om de printer uit de pauzestand te halen

Statuslampje

Dit lampje toont de status van de printer

1. Groen: de printer is klaar voor gebruik
2. Knipperend: de printer is in de pauzestand

Voedingslampje

Dit lampje toont de voedingsstatus en de foutstatus

1. Uit: de printervoeding is uit
2. Groen: de printervoeding is aan
3. Knipperend: er is een fout opgetreden

7. Printer kalibreren

1. Houd de invoerknop zolang ingedrukt terwijl u de printer aanzet totdat de motor begint te draaien.
2. De kalibratie is voltooid zodra de printer automatisch band met labels over een bepaalde lengte doorvoert.

8. Printer en computer aansluiten

Opmerking:

De penvormige voedingsconnector moet in de stroomaansluiting aan de achterkant van de printer worden aangesloten voordat u de datatransmissiekabels aansluit.

Deze printer wordt geleverd met zowel een 9-pens Electronics Industries Association (EIA) RS-232 seriële datainterface, als een standaard Centronics parallelle interface en een USB interface. In elk geval moet u zelf de interfacekabel leveren die voor uw toepassing nodig is.

Opmerking:

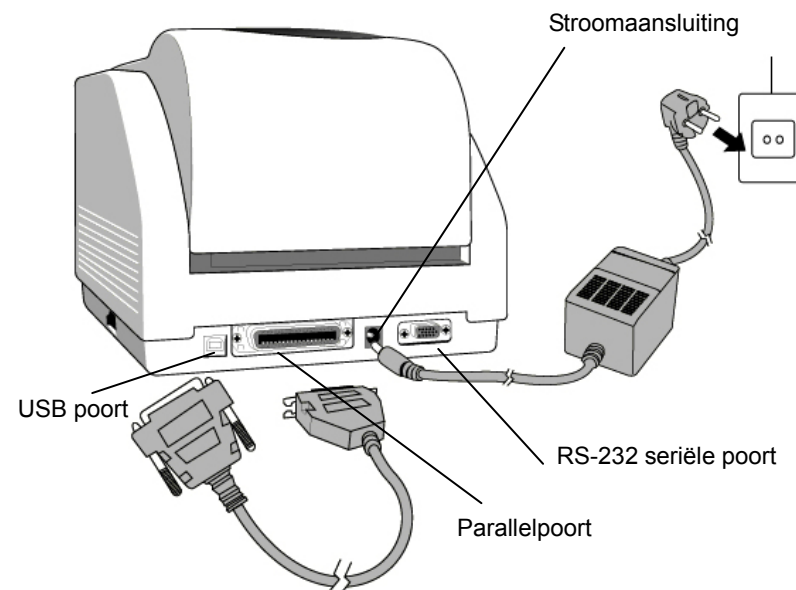
Deze printer voldoet aan de eisen voor FCC "Rules and Regulations", Part 15, voor Klasse A apparatuur als volledig afgeschermd datakabels van 1,80 m worden gebruikt. Door langere of niet-afgeschermd kabels te gebruiken kan de uitgestraalde emissies boven de grenswaarden van Klasse A komen.

Eisen voor de seriële interface (RS-232)

De benodigde kabel moet aan het ene uiteinde een 9-pens D type penconnector hebben, die in de overeenkomstige aansluiting van de seriële poort aan de achterkant van de printer wordt gestoken. Het andere uiteinde van deze signaalinterfacekabel wordt op de seriële poort van de hostcomputer aangesloten.

De instellingen voor de seriële poort:

Baudrate: 9600 – Stopbit: 1 – Databit: 8 – Pariteit: Geen – Databesturing: Xon / Xoff



Eisen voor de parallelle interface

De benodigde kabel (een kabel volgens IEEE 1284 wordt aanbevolen) moet aan het ene uiteinde een 36-pens connector hebben, die in de overeenkomstige aansluiting van de parallelpoort aan de achterkant van de printer wordt gestoken. Het andere uiteinde van de parallelinterfacekabel wordt op de printerpoort van de hostcomputer aangesloten.

Let op het volgende om de kans op elektrische storingen in de kabel te verkleinen:

- Houd de datakabels zo kort mogelijk (1,80 m aanbevolen).
- Maak geen nauwe bundel van de datakabels en de voedingskabels.
- Maak de datakabels niet met bandjes vast aan de voedingskabels.

Opmerkingen:

- 1. De Centronics interface geeft een veel grotere transmissiesnelheid dan de seriële interface.**
- 2. Het is niet nodig om een schakelaar in te stellen of een commando te sturen om de parallelle of seriële poort te selecteren. De printer kan deze automatisch detecteren.**
- 3. Er is een normale USB-kabel nodig als de USB-poort is geselecteerd.**

9. MINIMARK printerstuurprogramma

Het MINIMARK printerstuurprogramma is gebundeld met de Markware 3.4 of hoger cd-rom (op een afzonderlijke cd-rom met printerstuurprogramma's vanaf Markware 3.5 en hoger). Dit stuurprogramma kan onder Windows 98SE/NT4/2000/XP worden geïnstalleerd.

MarkWare 3.4 of hoger MINIMARK printerstuurprogramma installeren

1. Installeer MarkWare als die applicatie nog niet is geïnstalleerd.
2. Plaats de cd-rom **MarkWare 3.4 of hoger MINIMARK** in uw cd-romstation. U kunt de stuurprogramma's ook downloaden van de website van Brady.

Opmerking: Als de installatie-cd niet automatisch opstart, gaat u naar **Start | Windows Explorer** en selecteert u het station (bijvoorbeeld **D:**) waar zich de cd MW3.4 of hoger bevindt.

3. Het dialoogvenster **Configuratietaal kiezen** wordt weergegeven. Selecteer een taal en klik op **OK**.
4. Het dialoogvenster **Printerpoort kiezen** wordt weergegeven. Klik in de lijst op de communicatiepoort die u wilt gebruiken en klik op **Volgende**. Het printerstuurprogramma wordt automatisch geïnstalleerd. Als u USB wilt gebruiken, selecteert u USB001.
5. Na voltooiing van de installatie van het printerstuurprogramma wordt u gevraagd om de computer opnieuw op te starten. Kies **Ja** of **Nee** om de computer later op te starten.

Parameters instellen

Na installatie van het stuurprogramma kunt u het volgende pad volgen om de parameters in te stellen:

Start → Instellingen → Printers → MINIMARK → Eigenschappen

Dit zijn de parameters:

Poorten : Selecteer de juiste poort om de printer te verbinden. U kunt kiezen uit de volgende poorten: parallel (LPT), serieel (COM), USB001 of bestand.

Papierformaat : Selecteer in het menu het juiste formaat.

Afdrukstand : Selecteer Staand of Liggend afhankelijk van de afdrukstand.

10. Probleemoplossing

Gewoonlijk zal het voedingslampje gaan knipperen als er een probleem optreedt met de printer. De afdruktaak en de communicatie tussen de hostcomputer en de printer worden gestopt.

Kijk eerst naar beide LED-lampjes om het probleem te onderzoeken:

A. De voedings- en statuslampjes knipperen in hetzelfde tempo.

| Voedingslampje | Statuslampje |
|----------------|--------------|
| AAN | AAN |
| UIT | UIT |

| Mogelijke oorzaak | Oplossingen | Opmerkingen |
|--|--|--|
| Verkeerde detectie van de tussenruimte tussen labels (Voorgestante labels) | . Controleer het labelpad . Controleer de labelsensor | Als u een rol met doorlopende labels gebruikt en onder Windows werkt, die u als parameter continu-media. |
| De labels zijn op | . Vul de voorraad labels aan | |
| De labels zijn niet geïnstalleerd | . Installeer de rol met labels | |
| De labels zitten vast | . Verwijder de opstopping | |

B. De voedings- en statuslampjes knipperen om en om

| Voedingslampje | Statuslampje |
|----------------|--------------|
| AAN | UIT |
| UIT | AAN |

| Mogelijke oorzaak | Oplossingen | Opmerkingen |
|-----------------------|-----------------------------|---|
| Het inktlint is op | . Plaats een nieuw inktlint | Niet van toepassing op een direct thermisch afdruksysteem |
| Het inktlint zit vast | . Verwijder de opstopping | |
| Defecte lintsensor | . Vervang de lintsensor | |

C. Alleen het voedingslampje knippert

| Voedingslampje | Statuslampje |
|----------------|--------------|
| AAN | AAN |
| UIT | AAN |

| Mogelijke oorzaak | Oplossingen | Opmerkingen |
|--|---|---|
| Fout in seriële poort | . Controleer de ingestelde baudrate | Niet voor Centronics |
| Snijmes werkt niet of opstopping bij snijmes | . Controleer het snijmes . Verwijder de opstopping | Dit gebeurt als het snijmes werkt terwijl de aansluitkabel losraakt |
| Hardwarefout | . Neem contact op met de servicedienst | |

D. Diversen

- Op de host verschijnt het bericht "Printer Timeout"
 1. Controleer of de datakabel (parallel, serieel of USB) wel goed verbonden is met de parallelle, seriële of USB-poort van de computer en met de printer aan het andere uiteinde.
 2. Controleer of de voeding van de printer aan staat.
- Als de printer op de stroom is aangesloten en de aan/uitschakelaar in de stand "I" staat, maar het voedingslampje niet brandt, dient u de zekering te controleren in de behuizing van de voedingsadapter.
- De data zijn wel verstuurd, maar er is geen reactie van de printer gekomen. Controleer of de MINIMARK printer wel geselecteerd is als het actieve printerstuurprogramma.
- Verticale strepen op de afdruk wijzen er meestal op dat de printkop vuil of defect is.
Reinig eerst de printkop, maar als het probleem blijft bestaan vervangt u de printkop.
- Slechte afdrukkwaliteit.
 - Het inktlint is misschien niet van het juiste type.
 - De afdrukmedia is misschien niet van het juiste type.
 - Stel de Donkerheid bij (hitte temperatuur).
 - Verlaag de afdruksnelheid.
 - Kijk in het volgende hoofdstuk en reinig de betreffende onderdelen.

Hervatten

Om door te gaan met uw afdruktaken nadat u de storing hebt verholpen, drukt u gewoon op de invoerknop of herstart u de printer. Zorg dat er geen lampjes knipperen en vergeet niet om uw bestanden opnieuw te sturen.

11. De printer verzorgen

Maak de stekker van de printer los van het lichtnet alvorens onderhoudsprocedures uit te voeren.

Reinig de volgende plaatsen in de printer na het afdrukken van 5 tot 8 rollen doorlopende band of voorgestanst labels. Gebruik in alle gevallen een wattenstokje dat is bevochtigd met isopropyl alcohol. Maak het wattenstokje niet druipend nat.

Reinigen

- **Thermische printkop**
Thermisch papier en lint laten deeltjes achter op de printkop waardoor de afdrukkwaliteit achteruit gaat. Reinig de printkop met isopropyl alcohol met een wattenstokje. Raak het verwarmingselement niet met uw vingers aan. Aangekoekte deeltjes of vuil op de roller moeten met alcohol worden gereinigd.
- **Papiersensor**
Aangekoekte deeltjes of vuil op de papiersensor veroorzaken verkeerde of onstabiele detectie van de tussenruimte tussen labels. Reinigen met een wattenstokje dat met alcohol is bevochtigd.
- **Snijmechanisme**
Er kan zich na verloop van tijd op het snijblad en de behuizing ervan kleefmiddel van de labels verzamelen, wat kan leiden tot vastlopen van de labels in het snijmechanisme. Reinig eventueel verzameld kleefmiddel met een met alcohol natgemaakt wattenstokje. Zorg voor de veiligheid dat u tijdens het reinigen uw vingers verwijderd houdt van de opening in de behuizing van het snijmechanisme.

12. Technische gegevens

| Specificaties | MINIMARK |
|-------------------------|---|
| Afdruktechniek | Thermische transfer |
| Afdrukresolutie | 203 dpi (8 dots/mm) |
| Afdruksnelheid | 51 ~ 102 mm/s (102 mm/s wordt automatisch verlaagd tot 76 mm/s als het snijmes aan staat) |
| Afdruk lengte | 25 mm ~ 1.143 mm |
| Afdruk breedte | Max 104 mm |
| Geheugen | 2 MB DRAM 2 MB Flash ROM |
| Processortype | 32 bit RISC microprocessor |
| Papiersensor | Reflectie Doorzichtigheid |
| Weergave | LED-lampjes x 2 |
| Bediening | Knop x 1 |
| Communicatie-interface | Centronics RS-232 serie Bi-USB (Full Speed) |
| Software | MARKWARE, versie 3.4 en hoger OF Surf on Signs (niet verkrijgbaar in Europa) |
| Media | Doorlopende banden voorgestante labels; Thermisch papier of vinyl / polyester Maximum breedte 108 mm Minimum breedte 25,4 mm Dikte 0,0635 mm ~ 0,254 mm |
| Lint | Plastic (lint met buitenlaag) Lintbreedte - 102 mm Lintlengte - max. 100 m |
| Elektrische aansluiting | 110/220 V AC \pm 10%, 50/60 Hz, externe stroomadapter |
| Normenlijst | CE, UL, CUL, FCC class A, CCC |
| Werkomgeving | 4°C ~ 38°C; 10 ~ 90% niet condenserend |
| Snijmes | Rond snijmes |

Derechos Reservados

Todos los derechos sobre este manual están reservados. Ninguna parte de este manual se puede copiar o reproducir por medio alguno sin el consentimiento previo de Brady Worldwide, Inc.

A pesar de que se han tomado todas las precauciones en la preparación de este documento, Brady no asume responsabilidad alguna ante parte alguna por las pérdidas o daños causados por errores u omisiones o por declaraciones que sean resultado de negligencias, accidentes o de cualquier otra causa. Brady no asume, además, responsabilidad alguna que surja como resultado de la aplicación o uso de los productos o sistemas aquí descritos; ni responsabilidad alguna por daños fortuitos o consecuentes que se originen por el uso de este documento.

Brady niega todas las garantías de mercantilidad o de idoneidad para un propósito determinado.

Brady se reserva el derecho de realizar cambios sin previo aviso a cualquier producto o sistema aquí contenido para mejorar su confiabilidad, función o diseño.

Queda terminantemente prohibida la reproducción, parcial o total, de este material sin el permiso escrito de Brady Worldwide, Inc.

Se han hecho todos los esfuerzos para hacer esta guía lo más exacta y completa posible. Brady Worldwide, Inc. no se hace responsable de las inexactitudes y omisiones de marcaje que se presenten durante el uso de esta guía. Este manual es propiedad de Brady Worldwide, Inc. y está sujeto a revisión cada cierto tiempo sin previo aviso.

Brady Worldwide, Inc. niega cualquier acuerdo para proporcionarle revisiones, si las hay. Todas las marcas de fábrica o nombres de productos a que se hace referencia en este manual son marcas o marcas registradas de sus compañías u organizaciones respectivas.

MINIMARK™ y MarkWare™ son marcas registradas de Brady Worldwide, inc. Windows es una marca registrada de Microsoft Corporation.

© 2005 Brady Worldwide, Inc. Todos los derechos reservados.

Este dispositivo cumple con los requisitos dictados por la directiva RoHS 2002/95/EC.

Contenido

| | |
|--|-----|
| 1. Revisión de su Caja | 110 |
| 2. Fuente de Alimentación | 111 |
| 3. Piezas y Aditamentos | 112 |
| 4. Carga de la Cinta | 114 |
| 5. Carga de los Medios | 119 |
| 6. Controles del Operador | 124 |
| 7. Ejecución de la Calibración | 125 |
| 8. Interconexión de la Impresora y el Computador | 125 |
| 9. Controlador de Impresora MINIMARK | 127 |
| 10. Solución de Problemas | 129 |
| 11. Cuidado de su Impresora | 133 |
| 12. Información Técnica de Referencia | 134 |

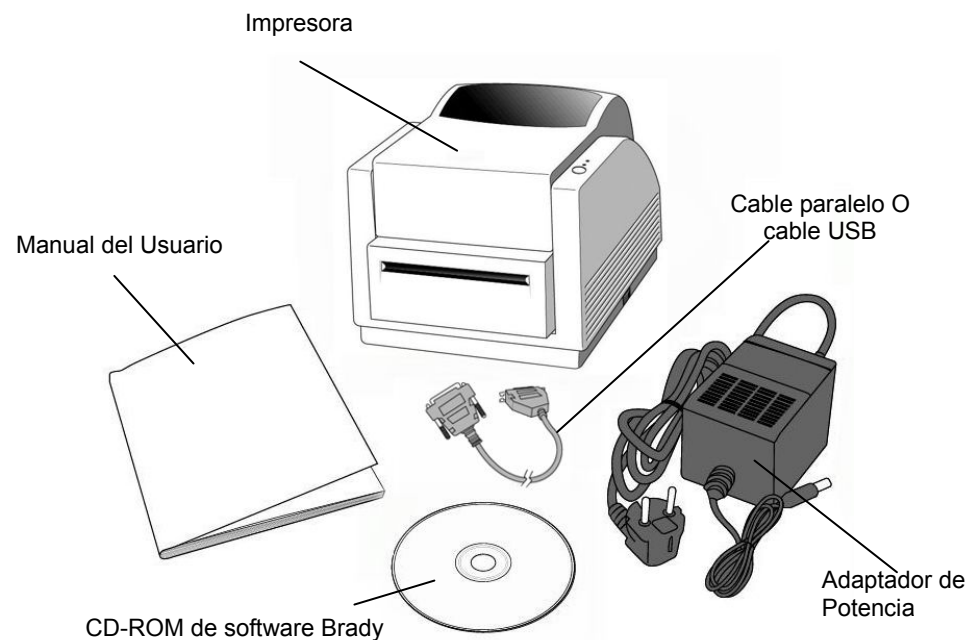
1. Revisión de su Caja

Al recibir la caja de su impresora, se le aconseja revisar primero para saber si hay posibles daños causados por el envío. Hay dos maneras de hacerlo:

1. Examine el aspecto exterior de la caja y de la impresora para saber si hubo daños.
2. Levante la cubierta superior de la impresora para ver si los compartimientos de los medios están en orden.

Si hubo daños, presente inmediatamente la demanda a la compañía transportista para su resolución.

Después de haber realizado las inspecciones primarias, el siguiente paso es comprobar, por favor, si usted ha recibido los siguientes accesorios junto con la impresora. Si falta algún artículo, póngase en contacto con su distribuidor local para obtenerlo.

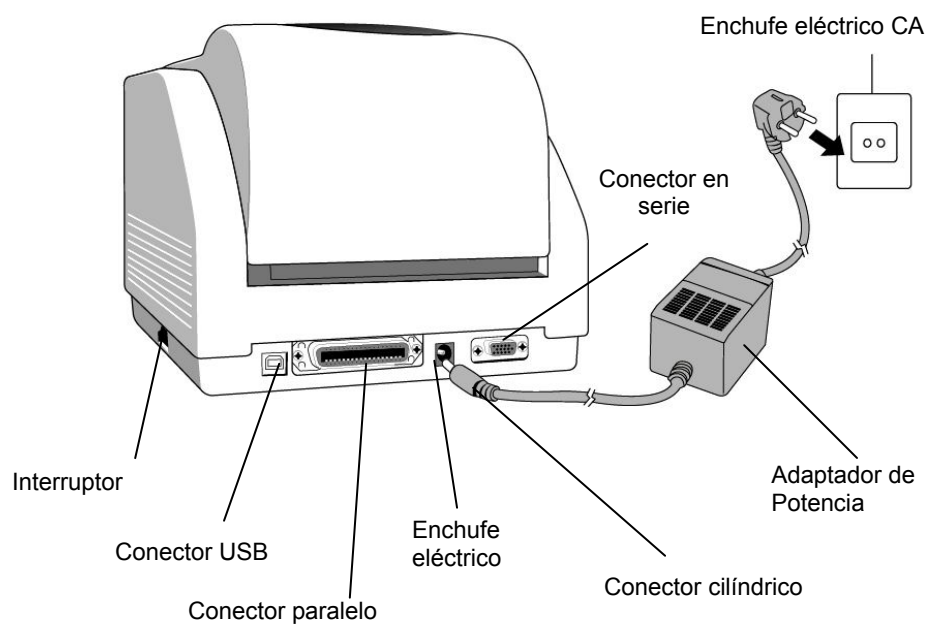


2. Fuente de Alimentación

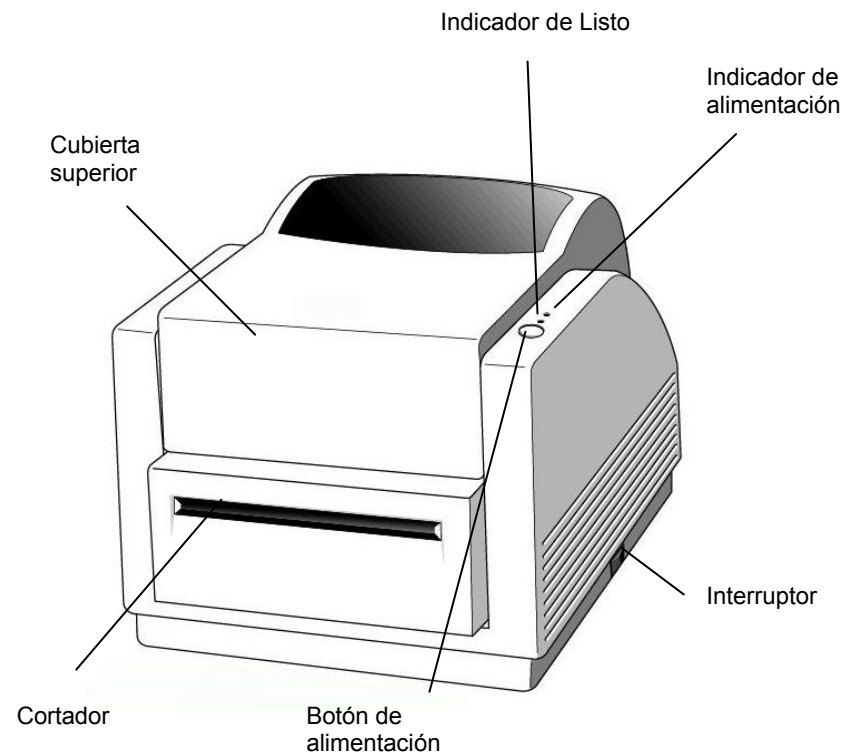
ADVERTENCIA:

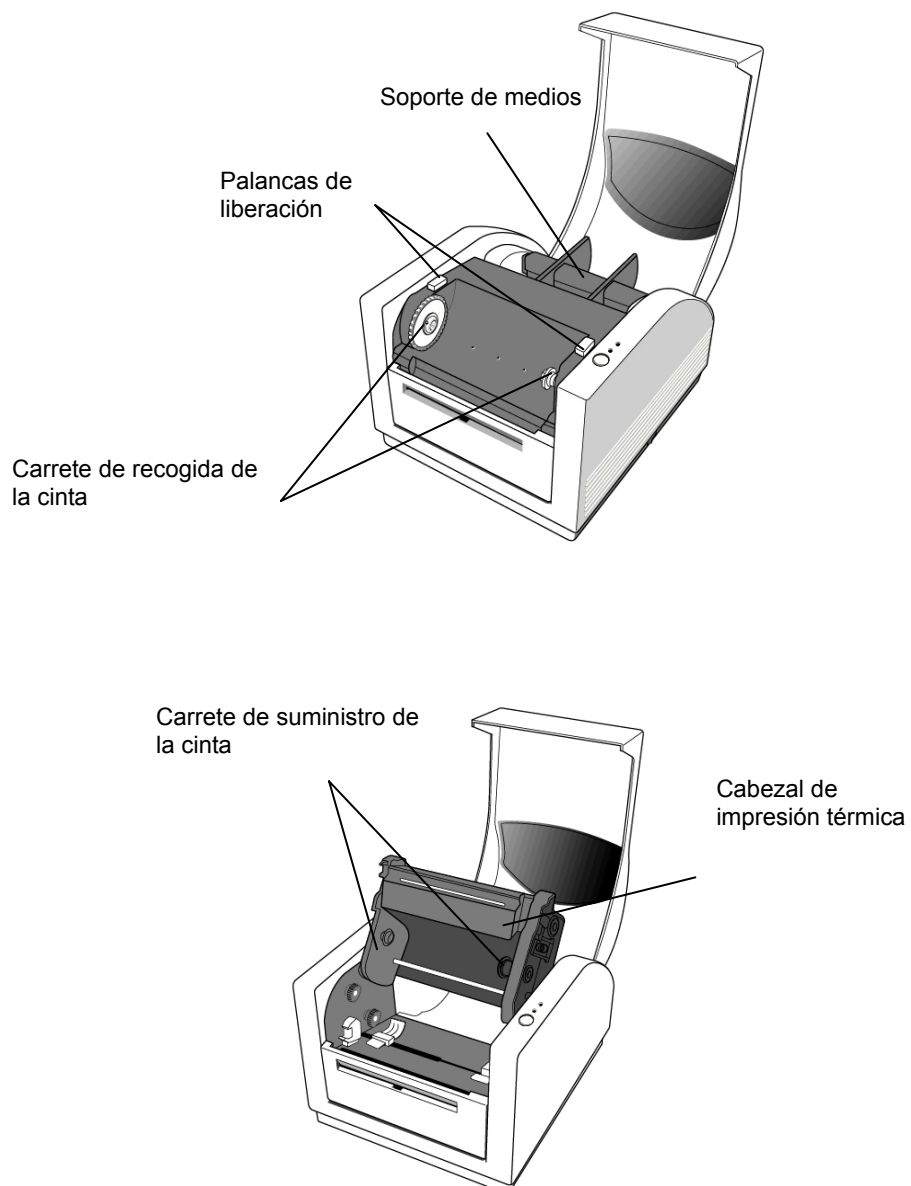
NUNCA HAGA FUNCIONAR LA IMPRESORA Y LA FUENTE DE ALIMENTACIÓN EN UN ÁREA EN DONDE SE PUEGAN MOJAR.

1. El Adaptador de Potencia tiene un conector cilíndrico en un extremo que se debe insertar en el enchufe eléctrico de la parte trasera de la impresora.
2. Conecte el otro extremo del cordón a un enchufe eléctrico de CA apropiado.
3. Cuando coloque el conector en el enchufe eléctrico, por favor, deje el interruptor en la posición de "O" y no toque el conector paralelo de 36 patillas.



3. Piezas y Aditamentos



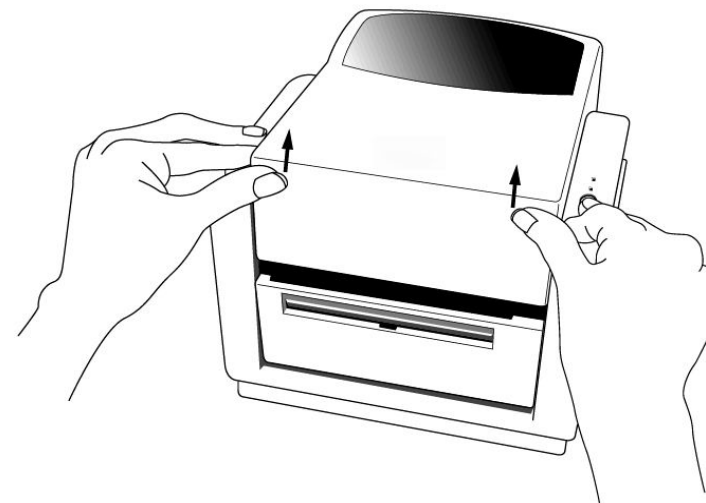


4. Carga de la Cinta

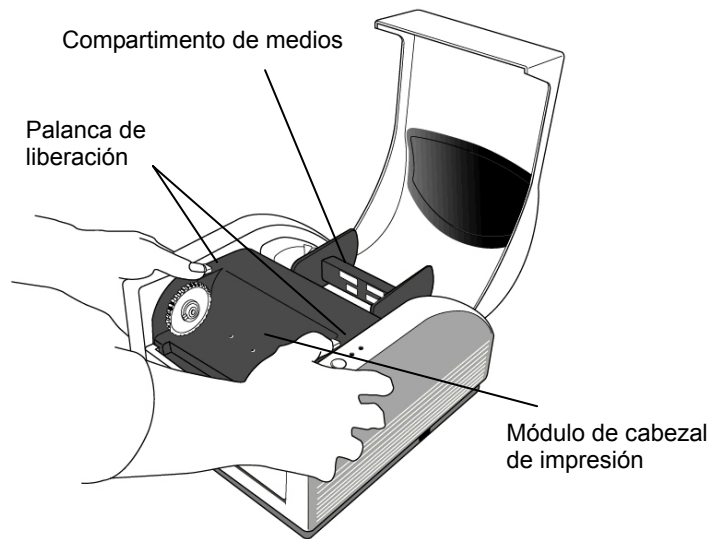
Nota:

Esta sección no es aplicable a la impresión térmica directa puesto que no se requiere una cinta térmica.

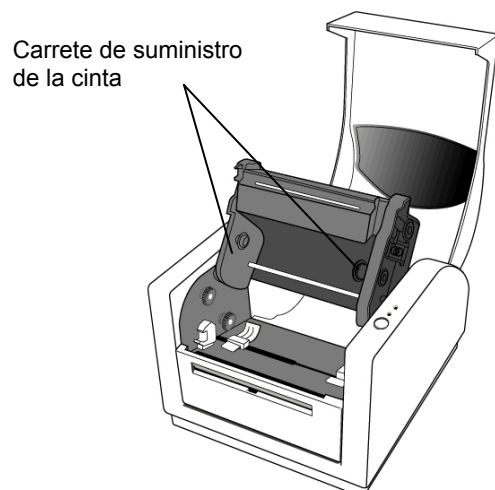
1. Levante la cubierta superior para abrir el compartimiento de los medios.



2. Desenganche el módulo del cabezal de la impresora empujando hacia atrás las dos palancas de liberación de color púrpura colocadas a los lados.



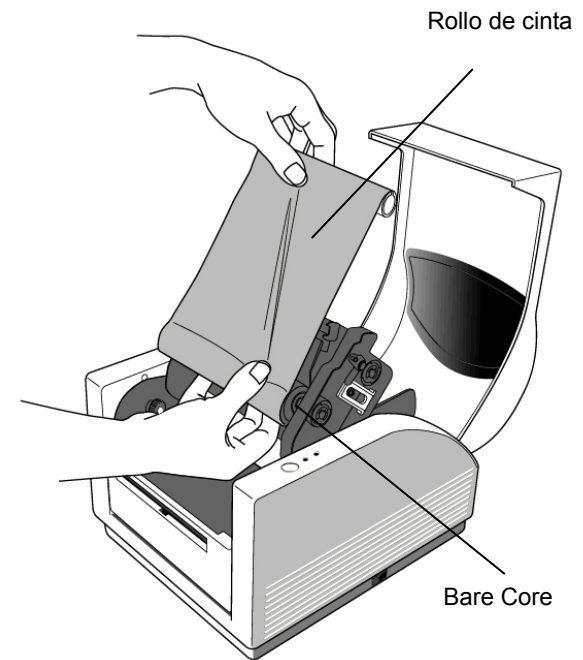
3. Voltee el módulo del cabezal de la impresora para poder ver el carrete de suministro de la cinta.



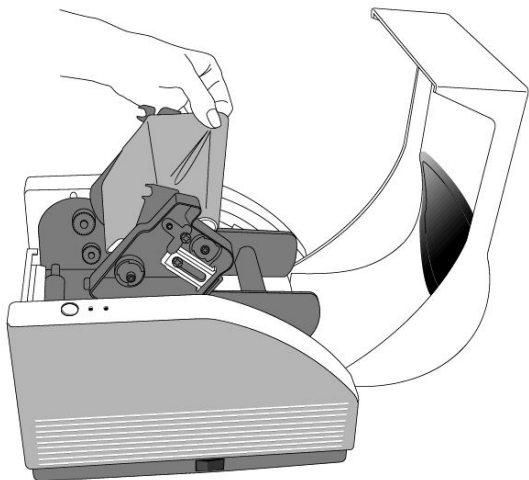
4. Abra el paquete del rollo de cinta y separe el rollo de cinta y el huso vacío.

5. Una el borde de la cinta al huso vacío y enróllela un poco en el mismo.

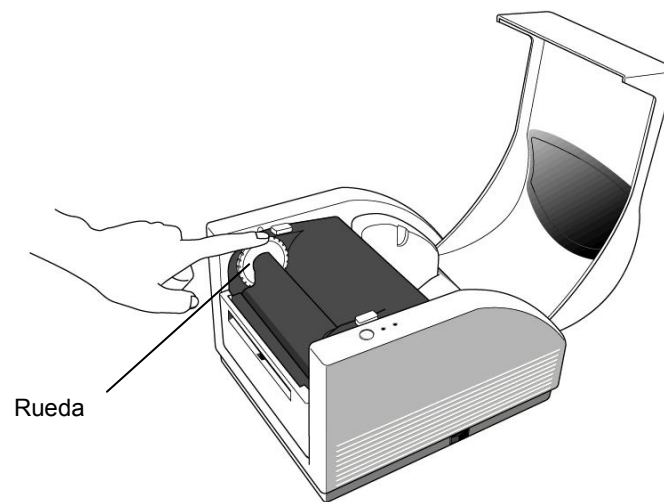
6. Inserte el rollo de cinta en el carrete de suministro de la cinta (Primero encaje a presión en el lado derecho y luego, en el izquierdo.)



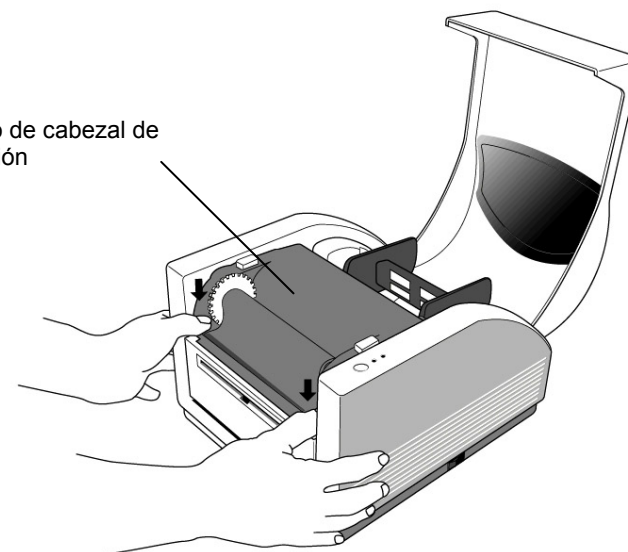
7. Dé vuelta hacia atrás al módulo del cabezal de la impresora y después inserte el huso vacío en el carrete de recogida de la cinta.
(Primero encaje a presión en el lado derecho, luego en el izquierdo.)



8. Dé vuelta a la rueda del módulo del cabezal de la impresora para asegurar que la cinta se enrolle firmemente.
9. Presione el módulo del cabezal de la impresora firmemente a ambos lados hasta que oiga que encaja de cada lado.



Módulo de cabezal de impresión



5. Carga de los Medios

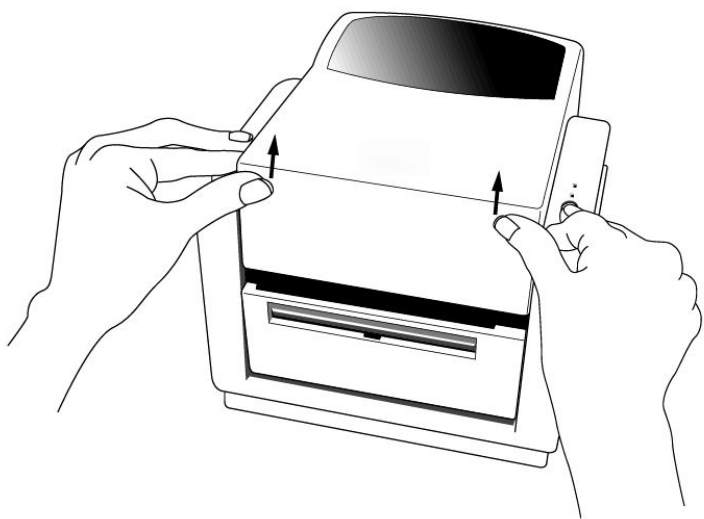
La impresora MINIMARK tiene dos opciones de operación: Cortador encendido / Cortador apagado (Cutter On / Cutter Off).

- En el modo Cutter On, la impresora corta automáticamente la etiqueta después de impresa (2 modos: cortar después de cada etiqueta o cortar al final del trabajo de impresión).
- En el modo Cutter Off, la impresora no cortará las etiquetas.

Los modos Cutter On/Off se fijan en la Configuración de Impresora de Markware.

Carga de los medios (Etiquetas de cinta continua o troqueladas)

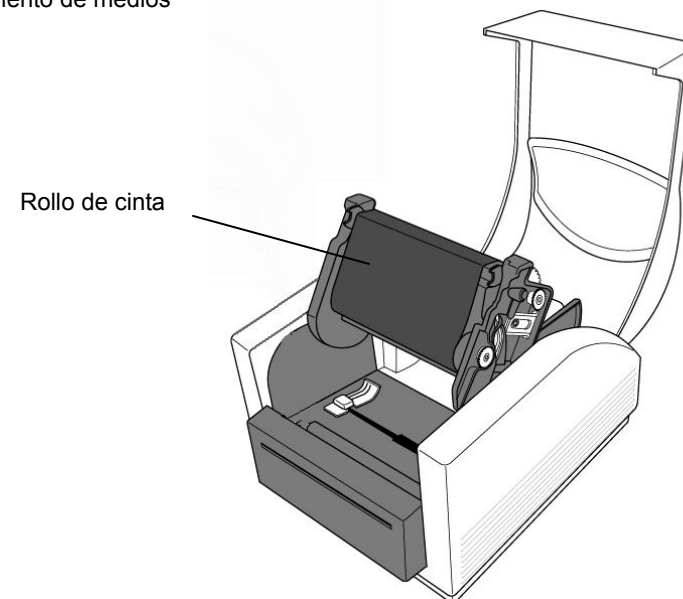
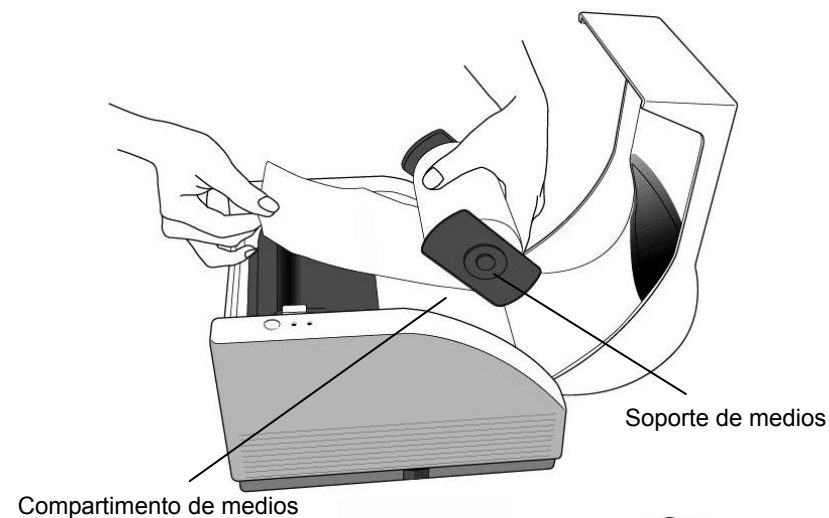
1. Levante la cubierta superior para abrir el compartimiento de los medios.



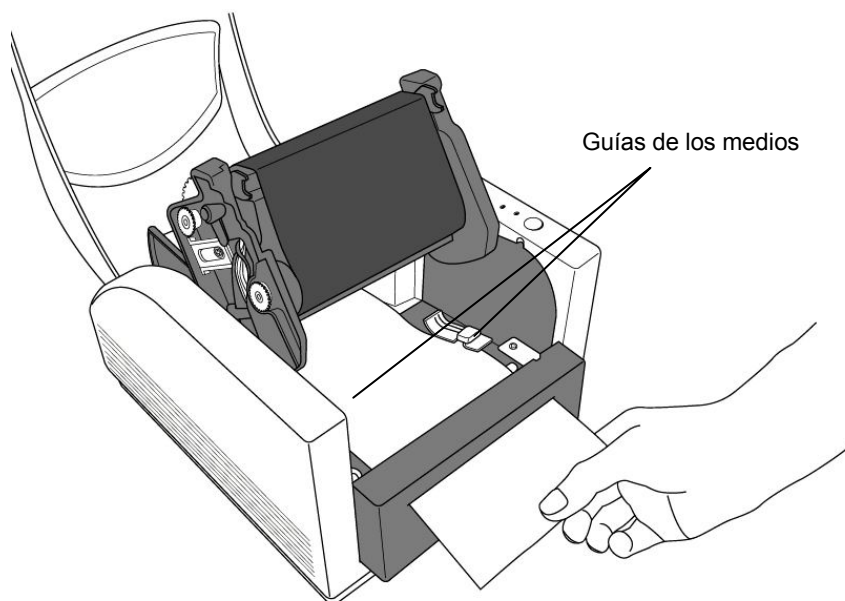
2. Retire el soporte de los medios.

3. Coloque el rollo de medios en el soporte.

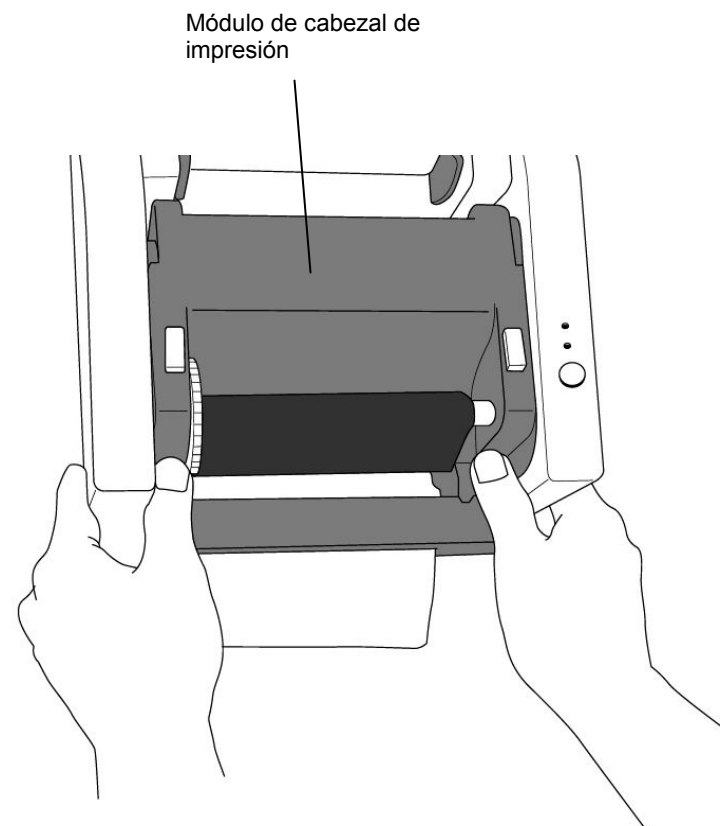
4. Desenganche el módulo del cabezal de la impresora.



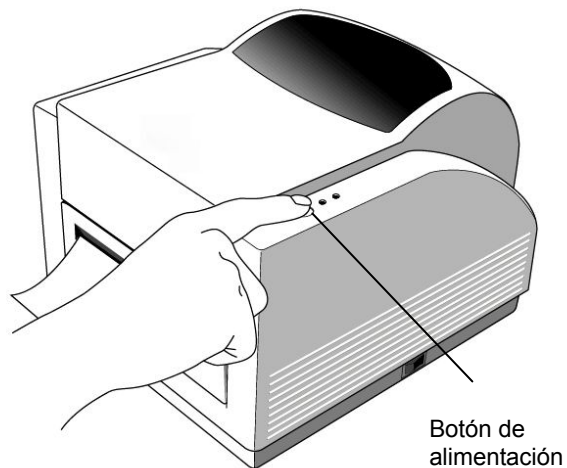
5. Con la otra mano haga pasar la etiqueta a través de las guías de los medios y del cortador (debajo de la placa negra doblada). Las guías de los medios se pueden ajustar centralmente a los diversos anchos de etiqueta.



6. Presione firmemente el módulo del cabezal de la impresora a ambos lados hasta que oiga que encaja de cada lado.



7. Cierre la cubierta superior y encienda la impresora o presione el botón de alimentación si la impresora ya está encendida.



Nota:

El botón de alimentación no hará que la impresora corte. La función del corte sólo se puede ejecutar cuando se ha realizado la configuración del software.

6. Controles del Operador

Interruptor

Controla el suministro de corriente a la impresora

1. On: operación normal - posición "I"
2. Off: la corriente se debe interrumpir antes de conectar o desconectar los cables de comunicación y de los cables de alimentación – posición "O"

Botón de Alimentación

Haga avanzar las etiquetas a la primera posición de impresión

1. Presione para hacer avanzar un pequeño tramo de la cinta continua o una etiqueta
2. Presione para sacar la impresora de la condición de "pausa"

Indicador de Listo

Muestra el estado de la impresora

1. Verde: la impresora está lista para funcionar
2. Centelleo: la impresora está en pausa

Indicador de Encendido

Muestra el estado de alimentación y de error

1. Off: impresora apagada
2. Verde: impresora encendida
3. Centelleo: hay error

7. Ejecución de la Calibración

1. Siga presionando el botón de alimentación a la vez que enciende la impresora, hasta que se active el motor de impresión.
2. La calibración se realiza mientras la impresora alimenta automáticamente cierto tramo de la etiqueta.

8. Interconexión de la Impresora y el Computador

Nota:

Antes de conectar los cables de comunicación, se debe insertar el conector cilíndrico de la fuente de alimentación en el enchufe eléctrico de la parte trasera de la impresora.

Esta impresora viene con una interfaz de datos en serie RS-232 de Electronics Industries Association (EIA), una interfaz paralela estándar de Centronics y una interfaz USB. En cualquier caso, usted debe suministrar el cable de interfaz requerido para su uso.

Nota:

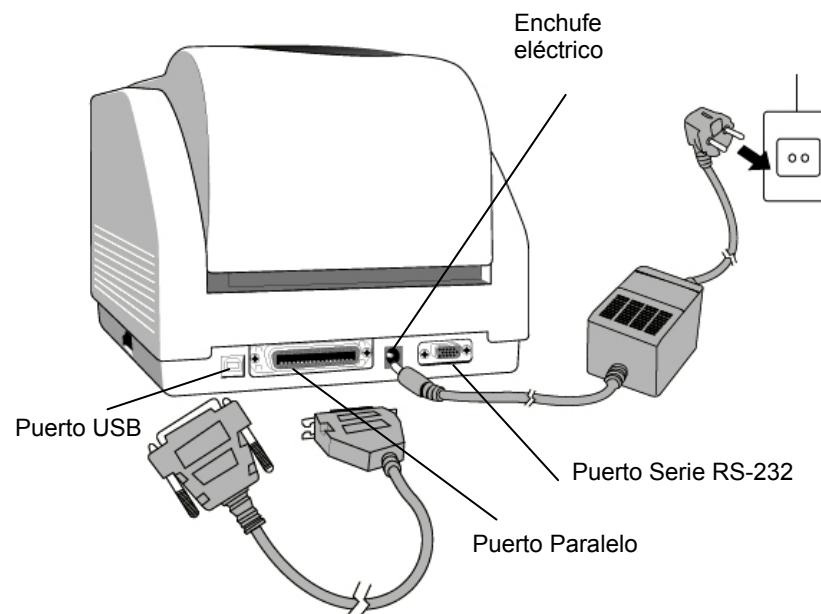
Esta impresora cumple con las “Reglas y Regulaciones” FCC, Parte 15, para Equipos Clase A, pues utiliza cables de datos de seis pies totalmente blindados. El uso de cables más largos o de cables sin blindaje puede aumentar las emisiones irradiadas por encima de los límites de la clase A.

Requisitos de la Interfaz en Serie (RS-232)

El cable requerido debe tener un conector macho del tipo “D” de nueve patillas en un extremo que se conecta al puerto serie correspondiente localizado en la parte trasera de la impresora. El otro extremo de este cable de interfaz de señal se conecta a un puerto serie en el ordenador huésped.

Los valores de configuración para el puerto serie son:

Velocidad de transmisión: 9600 – Bit de parada: 1 – Bit de datos: 8 – Paridad: Ninguna – Control de flujo: Xon / Xoff



Requisitos de la Interfaz Paralela

El cable requerido (se recomienda que cumpla con IEEE 1284) debe un conector estándar paralelo de 36 patillas en un extremo, que se conecta al puerto paralelo que se encuentra en la parte trasera de la impresora. El otro extremo del cable de la interfaz paralela se conecta al conector de la impresora en el ordenador huésped.

Para reducir al mínimo la captación de ruido eléctrico en el cable:

- Mantenga los cables de datos tan cortos como sea posible (se recomienda 1.80m).
- No ate fuertemente los cables de datos a los cables eléctricos.
- No ate los cables de datos a los conductos de los alambres eléctricos.

Notas:

1. *El uso de Centronics permite una comunicación a velocidad mucho más alta que la utilización de un dispositivo en serie.*
2. *No es necesario fijar el interruptor o enviar ningún comando para seleccionar el puerto paralelo o serie. La impresora lo detecta automáticamente.*
3. *Si se selecciona el puerto USB, se utiliza un cable USB normal.*

9. Controlador de Impresora MINIMARK

El controlador de impresora MINIMARK está contenido en el CD-ROM de Markware 3.4 ò superior (en un CD-ROM aparte de controlador de impresora en Markware 3.5 y versiones más recientes). Este controlador se puede instalar bajo Windows 98SE / NT4/2000/XP.

Instalación del Controlador de Impresora MarkWare 3.4 ò superior MINIMARK

1. Instale MarkWare si no se ha instalado previamente.
2. Inserte el **CD de MarkWare 3.4 ò superior MINIMARK** en su unidad de CD-ROM. También se pueden descargar los controladores del sitio Web de Brady.

Nota: Si el CD de instalación no se autoejecuta, vaya a **Inicio | Explorador de Windows** y entonces seleccione la unidad (por ejemplo, **D:**) donde se encuentra el CD de MW3.4 ò superior.

3. Aparece el cuadro de diálogo **Escoger el Lenguaje de Instalación:** Seleccione un idioma y haga clic en **OK**.
4. Se abre la pantalla **Escoger Puerto de la Impresora**. Haga clic en la lista en el puerto de comunicación que usted desea utilizar y haga clic en **Siguiente**. El controlador de impresora se instalará automáticamente. Si desea un USB, seleccione USB001.
5. Cuando haya terminado la instalación del controlador de impresora, aparecerá un mensaje que le pide que reinicie su computador. Escoja **Si** o **No** para reiniciar más tarde su computador.

Ajuste de los parámetros

Después de instalar el controlador, usted podrá seguir la siguiente ruta de acceso para fijar los parámetros:

Inicio → Valores de configuración → Impresoras → MINIMARK → Propiedades

Los parámetros incluyen:

Puertos : Seleccione el puerto correcto para conectarse con la impresora. El puerto puede ser paralelo (LPT), serie (COM), USB001 o Archivo.

Tamaño del papel : Seleccione el tamaño apropiado en el menú.

Orientación : Escoja Vertical u Horizontal según la dirección de la impresión.

10. Solución de Problemas

Normalmente, cuando la impresora se encuentre en condiciones anormales, el LED de alimentación seguirá centelleando. El trabajo de impresión y la comunicación entre el anfitrión y la impresora se interrumpirán.

Para entender el problema, por favor verifique primero ambos LED:

A. El LED de alimentación y el de Listo centellean al mismo tiempo

| LED de Alimentación | LED de Listo |
|---------------------|--------------|
| ON | ON |
| OFF | OFF |

| Posibles Problemas | Soluciones | Observaciones |
|---|---|---|
| Mala detección de la separación (Etiquetas troqueladas) | . Verifique la trayectoria de las etiquetas . Verifique el sensor de etiquetas | Si usted está utilizando el rollo continuo de etiquetas y corre en el sistema Windows, debe seleccionar los medios continuos. |
| No hay etiquetas | . Coloque el rollo de etiquetas | |
| Etiqueta no instalada | . Instale el rollo de etiquetas | |
| Etiqueta atascada | . Elimine el atascamiento | |

B. El LED de alimentación y el de Listo centellean alternadamente

| LED de Alimentación | LED de Listo |
|---------------------|--------------|
| ON | OFF |
| OFF | ON |

| Posibles Problemas | Soluciones | Observaciones |
|------------------------------|-----------------------------------|--|
| No hay cinta | . Coloque el rollo de cinta | No es aplicable al tipo térmico directo. |
| Atascamiento de la cinta | . Elimine el atascamiento | |
| Error del sensor de la cinta | . Sustituya el sensor de la cinta | |

C. Sólo centellea el LED de alimentación

| LED de Alimentación | LED de Listo |
|---------------------|--------------|
| ON | ON |
| OFF | ON |

| Posibles Problemas | Soluciones | Observaciones |
|-------------------------------------|--|--|
| Error del dispositivo en serie | . Compruebe la velocidad de transmisión | No en el caso de Centronics |
| Falla o atascamiento en el cortador | . Compruebe el cortador . Elimine el atascamiento | Ocurre cuando se activa el cortador, pero se desconecta el cable de conexión |
| Error de hardware | . Llame para pedir el servicio | |

D. Miscelánea

- El anfitrión muestra el mensaje "La impresora ha caducado"
 1. Compruebe si el cable de comunicación (paralelo, serie o USB) está correctamente conectado a su puerto paralelo, puerto serie o puerto USB del PC y con el conector en la impresora en el otro extremo.

2. Compruebe si la impresora está encendida

- Si el cable eléctrico está conectado, el interruptor está en la posición "I" y el LED de alimentación aún no ha iluminado, compruebe el fusible dentro de la caja del adaptador de potencia.
- Se han enviado los datos, pero no hay salida de la impresora. Compruebe el controlador activo de la impresora, si se ha seleccionado la impresora MINIMARK.
- Las rayas verticales en la impresión indican, por lo general, un cabezal de impresora sucio o defectuoso. Primero limpie el cabezal de impresora, si todavía persisten, sustituya el cabezal de impresora.
- Mala calidad pobre de la impresión.
 - La cinta puede no ser la adecuada.
 - Los medios pueden no ser los adecuados.
 - Ajuste la Oscuridad (temperatura de calor).
 - Aminorar la velocidad de impresión.
 - Remítase al capítulo siguiente y limpie las piezas de repuesto relacionadas.

Recuperación

Para continuar sus trabajos de impresión después de que se hayan corregido las condiciones anormales, sencillamente presione el botón del panel o reinicie la impresora. Cerciórese de que el LED no esté centelleando y recuerde volver a enviar sus archivos.

11. Cuidado de su Impresora

Desconecte el enchufe de la impresora antes de realizar cualquier operación de mantenimiento.

Después de haber utilizado de 5 a 8 rollos de etiquetas continuas o de etiquetas troqueladas, limpie las siguientes áreas de la impresora. En cada caso, utilice una mota de algodón humedecida con alcohol isopropílico. No empape el algodón en exceso.

Limpieza

■ Cabezal de Impresora Térmica

El papel y la cinta térmicos dejarán desechos en el cabezal de impresora y disminuirán la calidad de la impresión. Limpie el cabezal de impresora con una mota de algodón y alcohol isopropílico. No toque con sus dedos el elemento calentador. Los desechos o la suciedad del rodillo se deben limpiar con alcohol.

■ Sensor de Papel

Los desechos o la suciedad en el sensor de papel podrán provocar una lectura defectuosa o inestable de la separación entre las etiquetas. Límpielos con una mota de algodón humedecida en alcohol.

■ Cortador

Con el tiempo, el adhesivo del material de las etiquetas puede acumularse en la hoja o en la estructura del cortador pudiendo ocasionar atoramientos en el mismo. Límpielo con una bola de algodón humedecida en alcohol. Por motivos de seguridad, tenga cuidado de no acercar los dedos a la abertura de la estructura del cortador mientras lo limpia.

12. Información Técnica de Referencia

| Especificaciones | MINIMARK |
|----------------------------|---|
| Método de impresión | Transferencia Térmica |
| Resolución de la impresión | 203 dpi (8 puntos / mm) |
| Velocidad de la impresión | 2 ~ 4 ips (51~ 102 mm/seg.) (4" se reduce automáticamente a 3" si cortador encendido) |
| Longitud de la impresión | 1" ~ 45" (25mm ~ 1143mm) |
| Ancho de la impresión | Máx. 4.1" (104 mm) |
| Memoria | DRAM de 2 MB Flash ROM de 2 MB |
| Tipo de CPU | Microprocesador RISC de 32 bits |
| Sensor de medios | Reflector Ventana transparente |
| Display | Indicadores LED x 2 |
| Interfaz de operación | Botón x 1 |
| Interfaz de comunicación | Centronics RS-232 en serie Bi-USB (Máxima velocidad) |
| Software | MARKWARE, versión 3.4 o posterior, O BIEN, Surf on Signs (No está disponible en Europa) |
| Medios | Cintas continuas etiquetas troqueladas; Papel térmico o vinilo / poliéster Ancho máximo 4.25" (108 mm) Ancho mínimo 1.0" (25.4 mm) Grosor .0025"~. 01" (.0635mm ~. 254mm) |
| Cinta | Resina (Revestimiento exterior de la cinta) Ancho de la cinta -4" Largo de la cinta - máx. 100 M |
| Fuente de alimentación | 110/220 VCA ± 10%, 50/60 Hz, adaptador de potencia externo |
| Clasificación | CE, UL, CUL, FCC clase A, CCC |
| Entorno de Operación | 40°F ~ 100°F (4°C~38°C) ; 10~90% no condensación |
| Cortador | Cortador rotatorio |

Copyright

Il presente manuale è protetto da copyright e tutti i diritti sono riservati. Nessuna parte del presente manuale può essere copiata o riprodotta senza il preventivo consenso di Brady Worldwide, Inc.

Pur avendo portato la massima cura alla redazione di questo documento, Brady declina ogni responsabilità nei confronti di qualsiasi terzo per eventuali perdite o danni causati da errori od omissioni, o da affermazioni derivanti da negligenza, incidente o qualsiasi altra causa. Brady declina inoltre ogni responsabilità derivante dall'applicazione o dall'uso di qualsiasi prodotto o sistema descritto nel presente manuale e da danni accidentali o conseguenti all'uso del presente documento.

Brady non riconosce garanzie di commerciabilità o adeguatezza per scopi particolari. Brady si riserva il diritto di modificare senza preavviso ogni prodotto o sistema descritto nel presente manuale allo scopo di migliorarne l'affidabilità, la funzione o il design. La riproduzione totale o parziale del presente documento è rigorosamente vietata senza l'accordo scritto di Brady Worldwide, Inc.

È stata posta la massima cura per rendere il presente manuale il più preciso e completo possibile. Brady Worldwide, Inc. non è responsabile dell'eventuale imprecisione delle etichette o di omissioni che dovessero intervenire durante l'uso del manuale.

Il presente manuale è di proprietà di Brady Worldwide, Inc. e può essere modificato in qualsiasi momento senza preavviso.

Brady Worldwide, Inc. non è tenuta a fornire al cliente eventuali revisioni del presente documento.

Le marche ed i nomi dei prodotti riportati nel presente manuale sono marchi registrati o depositati delle rispettive società o organizzazioni.

MINIMARK™ e MarkWare™ sono marchi depositati di Brady Worldwide, Inc. Windows è un marchio depositato di Microsoft Corporation.

© 2005 Brady Worldwide, Inc. Tutti i diritti riservati.

Questo dispositivo è conforme nel senso della direttiva RoHS 2002/95/CE.

Italiano

Sommario

| | |
|---|------------|
| 1. Verifica del contenuto | 137 |
| 2. Alimentatore | 138 |
| 3. Componenti e funzioni | 139 |
| 4. Caricamento del nastro d'inchiostro | 141 |
| 5. Caricamento del supporto di stampa | 146 |
| 6. Controlli dell'operatore | 151 |
| 7. Calibrazione | 152 |
| 8. Collegamento della stampante al PC | 152 |
| 9. Driver MINIMARK | 155 |
| 10. Risoluzione dei guasti | 157 |
| 11. Manutenzione ordinaria della stampante | 160 |
| 12. Caratteristiche tecniche | 161 |

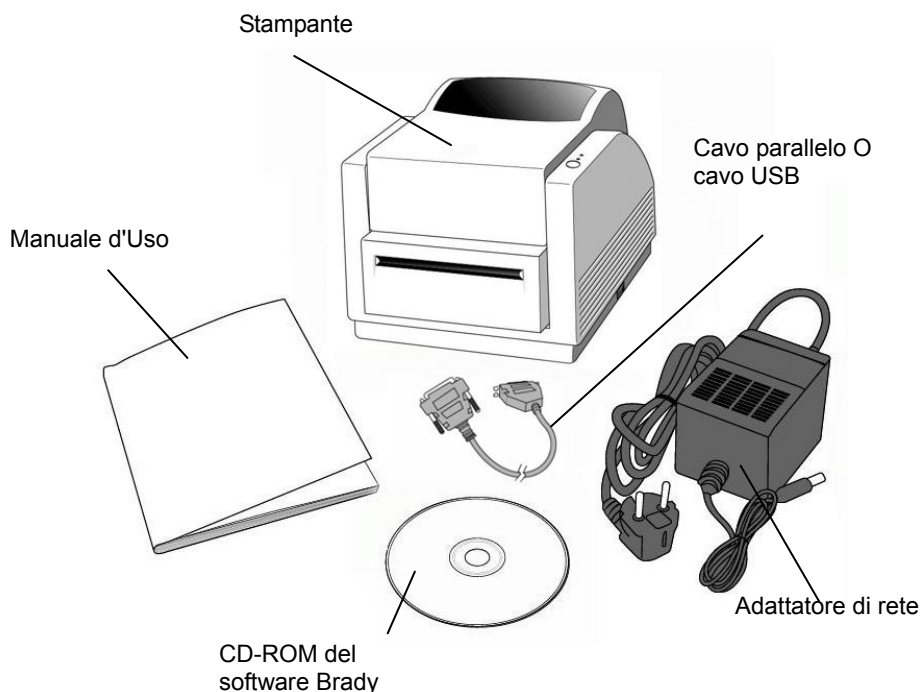
1. Verifica del contenuto

Al ricevimento del cartone della stampante il cliente deve anzitutto verificare l'eventuale presenza di danni dovuti al trasporto. La verifica deve essere effettuata in due modi:

1. Controllare l'aspetto esterno del cartone e della stampante per identificare eventuali danni.
2. Sollevare il coperchio della stampante e verificare che il compartimento del supporto di stampa sia in ordine.

Qualora vengano constatati dei danni, compilare immediatamente il documento di reclamo destinato allo spedizioniere.

Dopo aver effettuato i controlli iniziali, verificare che il cartone contenga i seguenti accessori che accompagnano la stampante. Qualora alcuni accessori non siano presenti, contattare il venditore di riferimento.



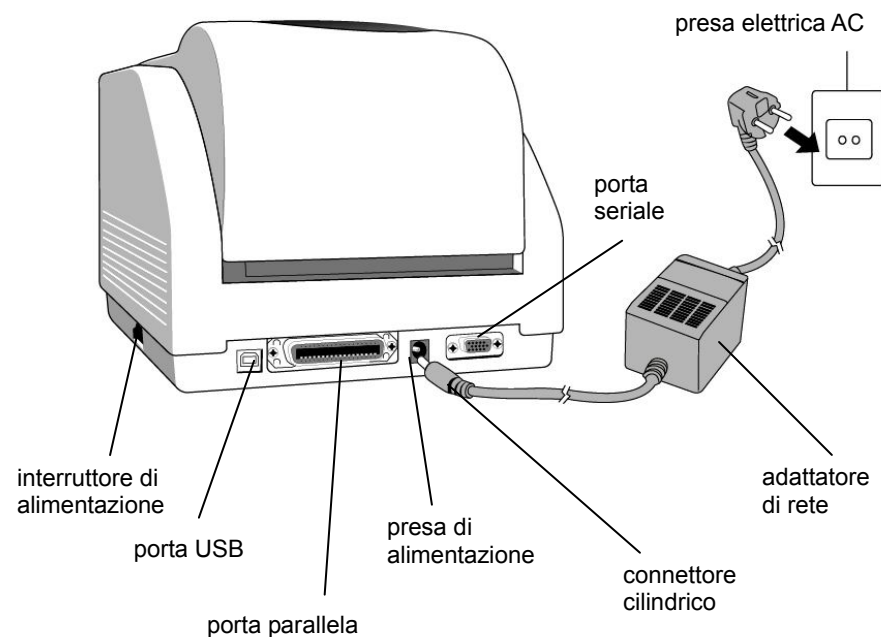
137

2. Alimentatore

ATTENZIONE:

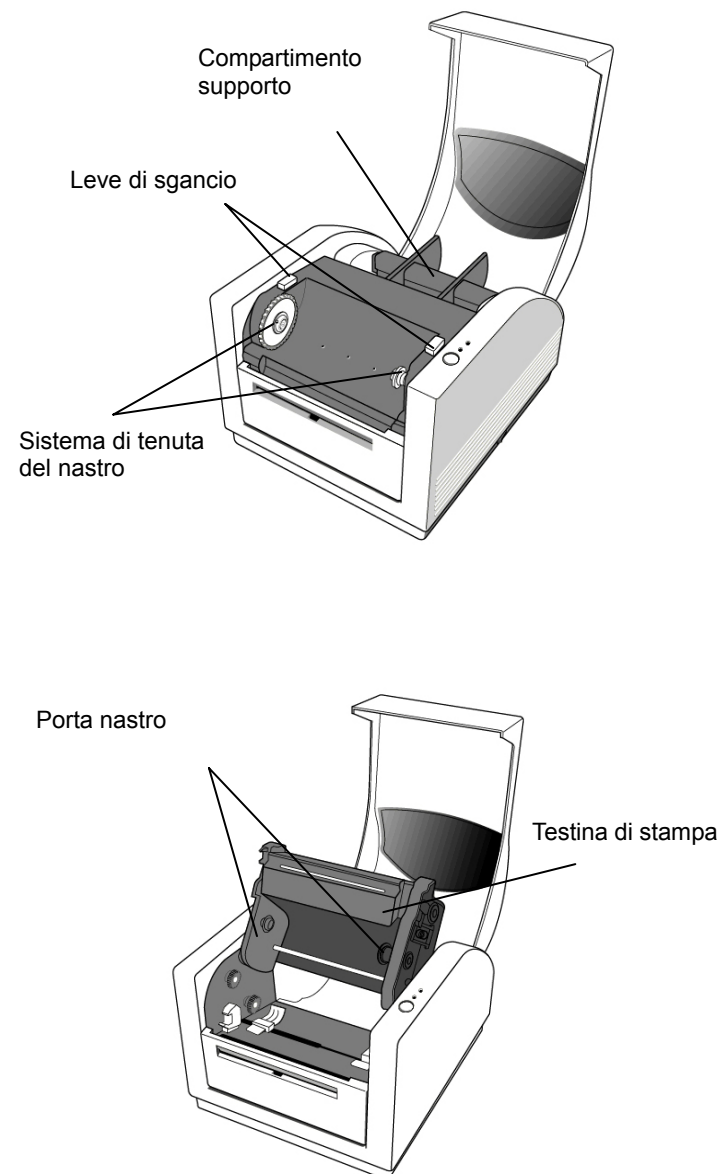
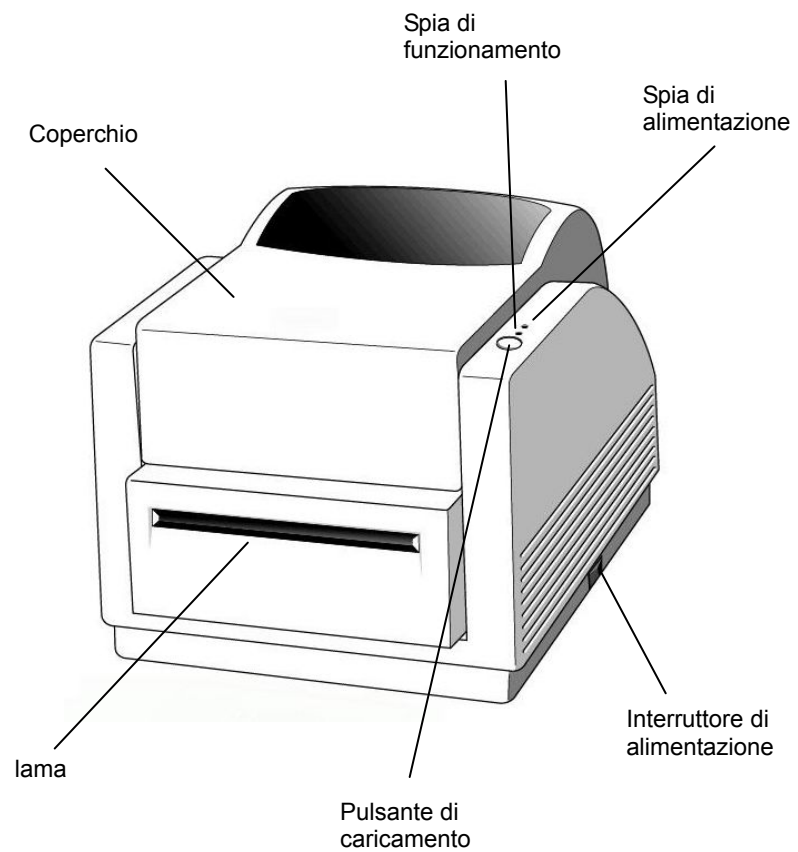
NON FAR FUNZIONARE LA STAMPANTE E L'ALIMENTATORE IN LOCALI UMIDI O IN PRESENZA DI UMIDITÀ.

1. L'adattatore di rete dispone di un connettore cilindrico da inserire nell'apposita presa posta sul retro della stampante.
2. L'altra estremità del cavo deve essere inserita in un'adeguata presa di corrente.
3. Quando si inserisce il connettore nella presa di rete lasciare l'interruttore in posizione "O" e non toccare la porta parallela a 36 conduttori.



138

3. Componenti e funzioni

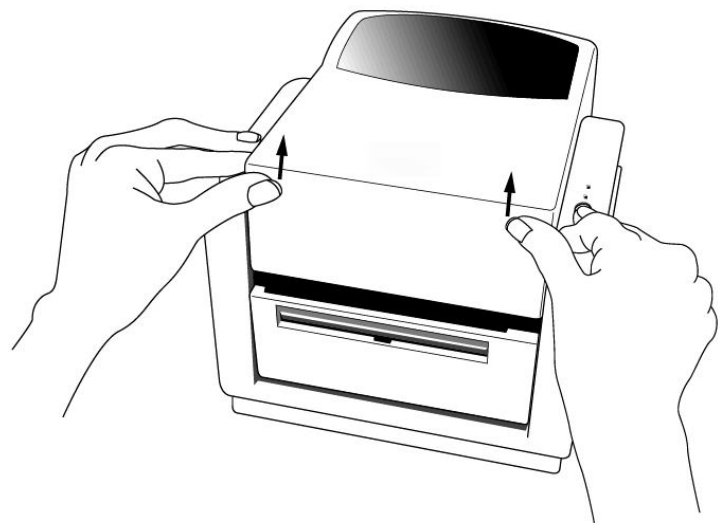


4. Caricamento del nastro d'inchiostro

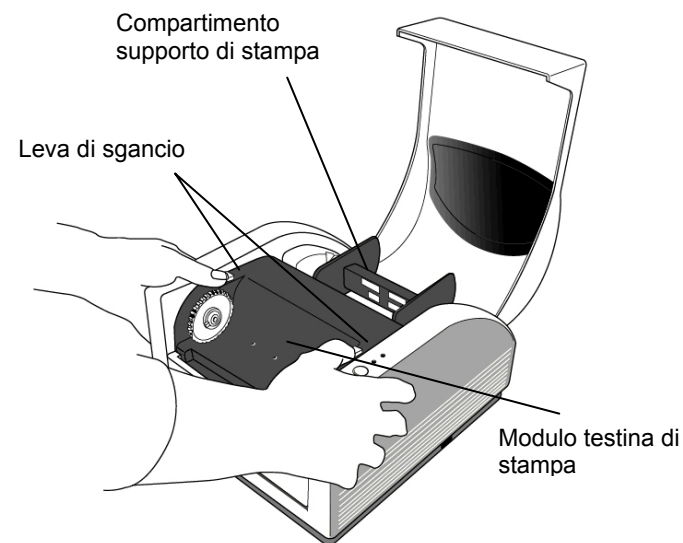
Nota:

Questo paragrafo non si applica alla stampa termica diretta in cui non è utilizzato nastro termico.

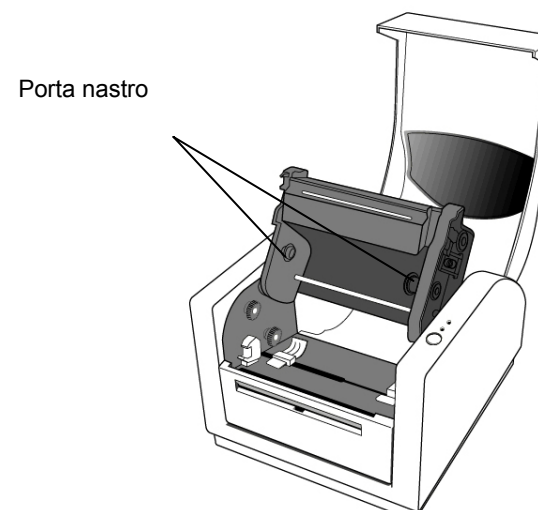
1. Sollevare il coperchio per accedere al compartimento del supporto di stampa.



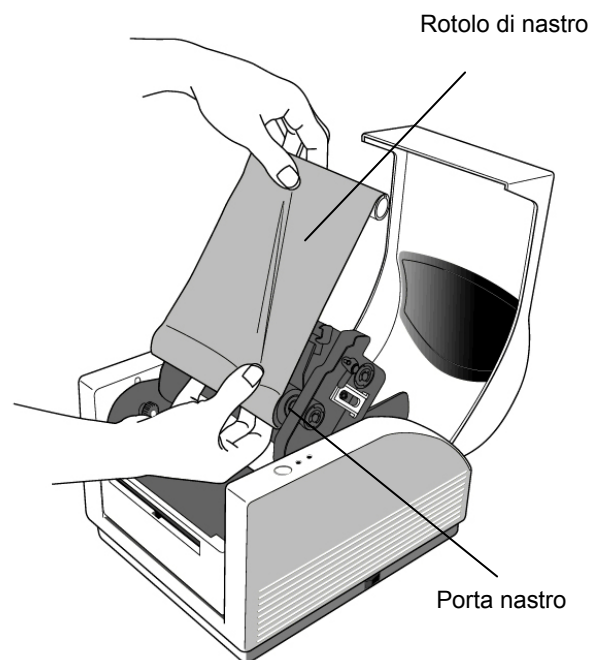
2. Sganciare il modulo della testina di stampa spingendo indietro le due leve di sgancio rosse laterali.



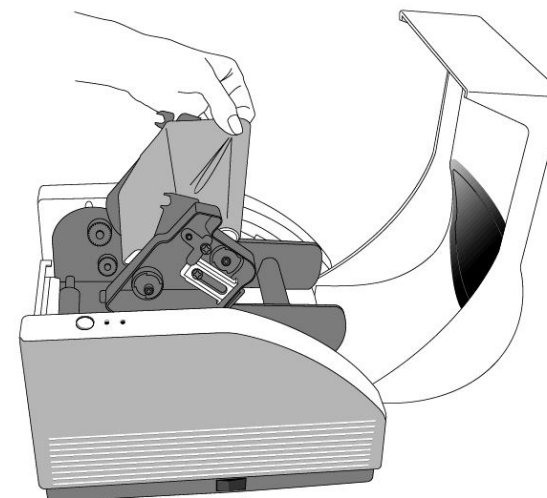
3. Ribaltare il modulo di stampa per accedere al porta nastro.



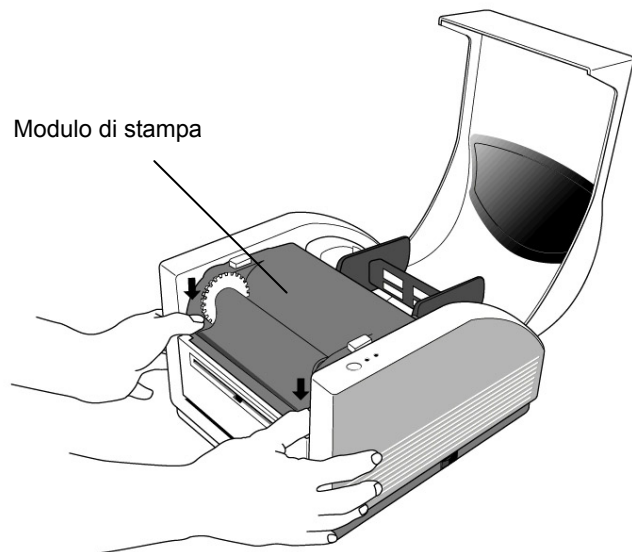
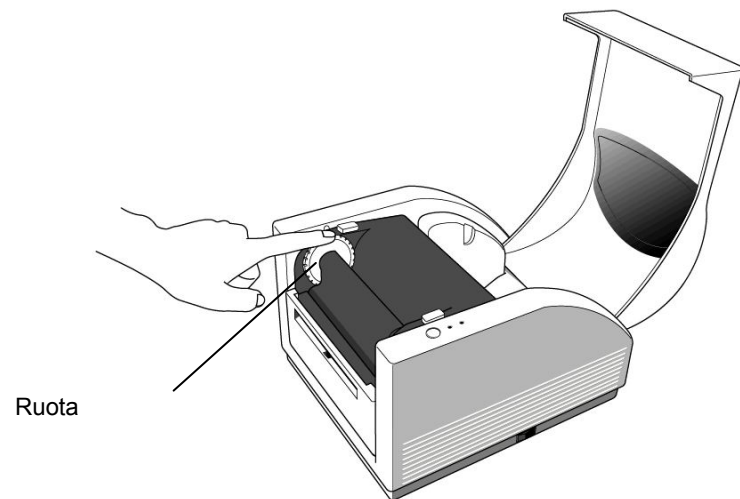
4. Togliere la protezione del rotolo di nastro e separare il rotolo dal cilindro interno.
5. Attaccare l'estremità del nastro al cilindro e avvolgerne un lembo su di esso.
6. Inserire il rotolo di nastro nel porta nastro. (Infilare prima il lato destro e poi il sinistro.)



7. Riposizionare il modulo di stampa ed inserire il cilindro interno nel compartimento. (Infilare prima il lato destro e poi il sinistro.)



8. Far girare la ruota del modulo di stampa per accertarsi che il nastro sia avvolto saldamente.
9. Premere verso il basso il modulo di stampa da ambedue i lati fino a bloccarlo in posizione su ciascun lato (si sentirà un clic).



5. Caricamento del supporto di stampa

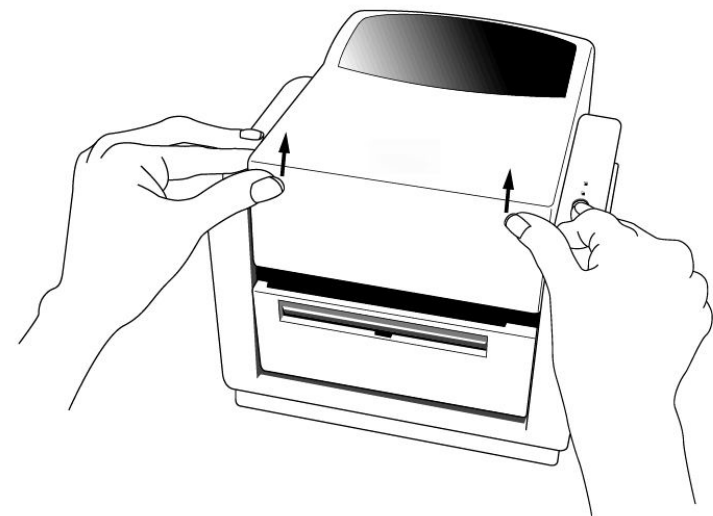
La stampante MINIMARK può funzionare in due modi diversi: con o senza lama.

- Con la lama (ON), la stampante taglia automaticamente l'etichetta dopo averla stampata (2 modi: taglio tra ogni etichetta o taglio alla fine della sessione di stampa).
- Senza lama (OFF), la stampante non taglia nessuna etichetta.

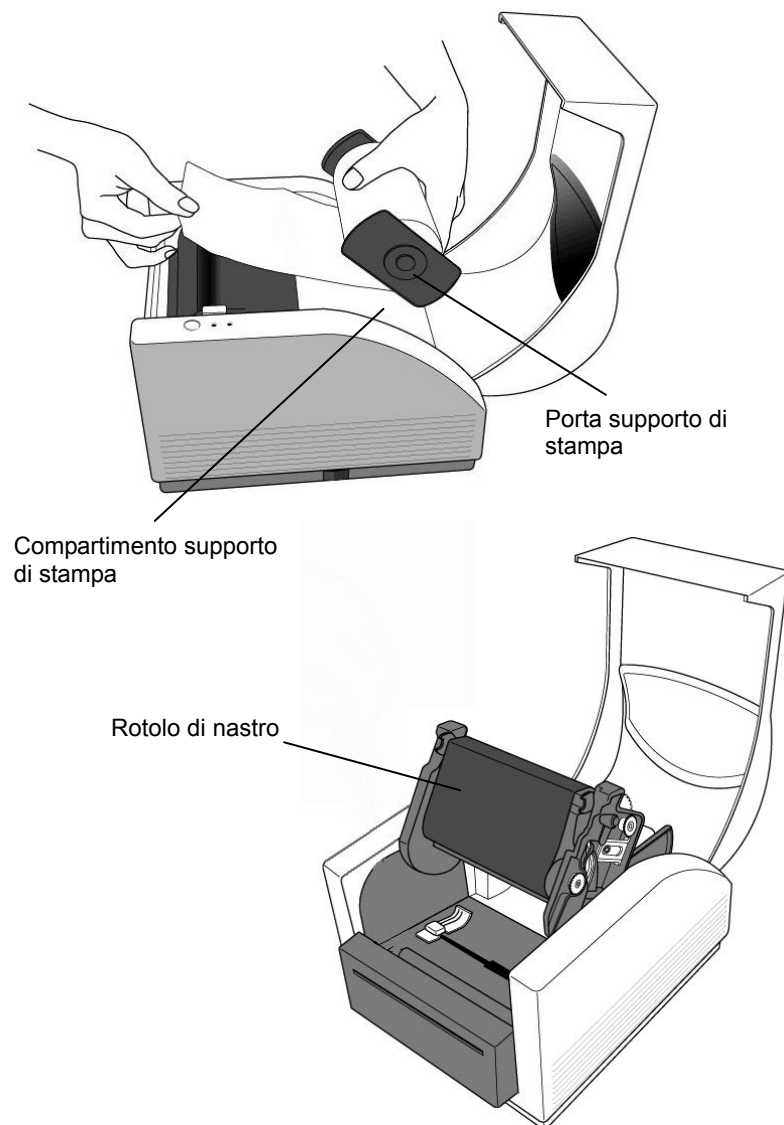
Il modo ON/OFF della lama si imposta nel menu di inizializzazione Markware.

Caricamento del supporto di stampa (nastro continuo o etichette pretagliate)

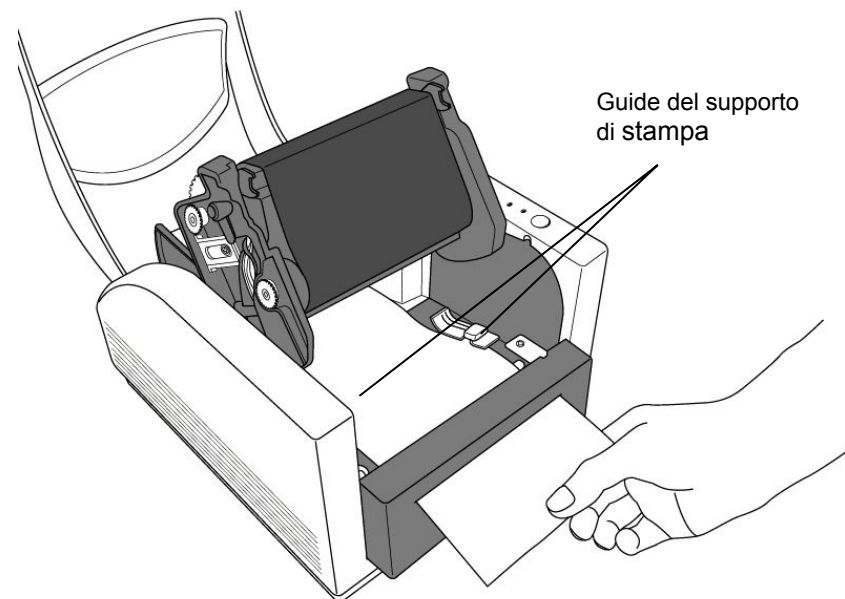
1. Sollevare il coperchio per accedere al compartimento del supporto di stampa.



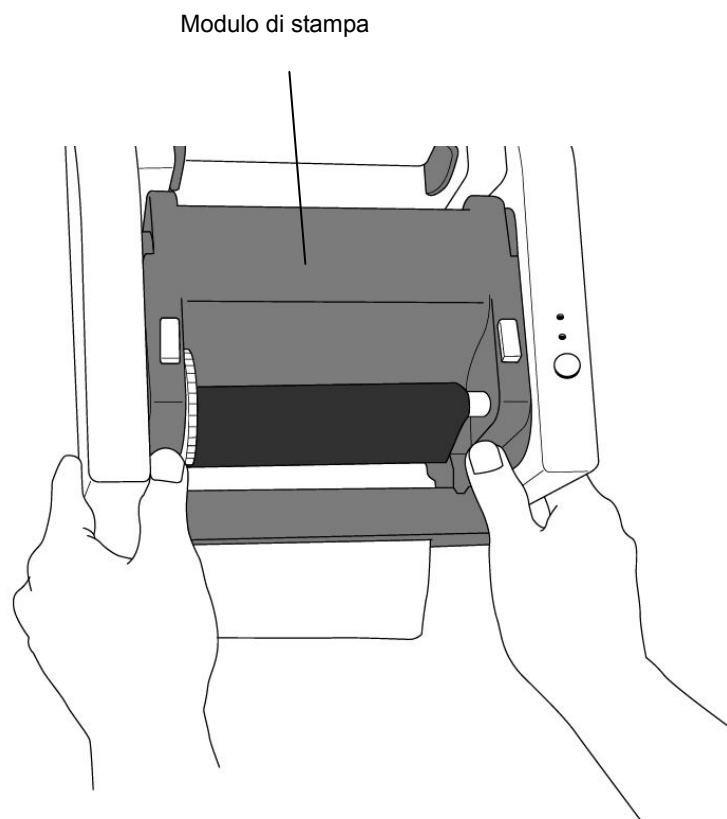
2. Togliere il contenitore del supporto di stampa.
3. Caricare il supporto di stampa nel contenitore.
4. Sganciare il modulo di stampa.



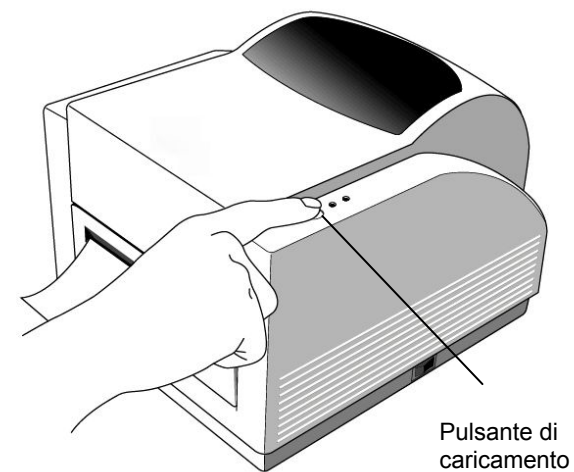
5. Con l'altra mano far passare le etichette attraverso le guide e la lama (sotto alla piastra curva nera). La guida può essere regolata al centro per adattarsi alla larghezza delle etichette.



6. Riabbassare il modulo di stampa su ciascun lato fino a sentirne l'aggancio (clic).



7. Chiudere il coperchio e accendere la stampante o premere il pulsante di caricamento se la stampante era già accesa.



Nota:
Il pulsante di caricamento non fa eseguire alla stampante la funzione di taglio. La funzione di taglio può essere eseguita solo dopo aver effettuato le impostazioni software.

6. Controlli dell'operatore

Interruttore di alimentazione

Controllo dell'alimentazione della stampante

1. On: funzionamento normale – posizione "I"
2. Off: l'alimentazione deve essere esclusa prima di collegare o scollegare i cavi di comunicazione ed i cavi di alimentazione – posizione "O"

Pulsante di caricamento

Fa avanzare le etichette fino alla prima posizione di stampa.

1. Premere per far avanzare un breve tratto di nastro continuo o di etichetta.
2. Premere per interrompere la posizione di "pausa".

Spia di funzionamento

Mostra lo stato della stampante.

1. Verde: la stampante è pronta per il funzionamento
2. Lampeggiante: la stampante è in pausa.

Spia di alimentazione

Mostra lo stato di alimentazione o di errore.

1. Off: la stampante è spenta
2. Verde: la stampante è accesa
3. Lampeggiante: la stampante è in errore

7. Calibrazione

1. Tenere premuto il pulsante di caricamento mentre si accende la stampante, fino ad attivare il motore di stampa.
2. La calibrazione viene effettuata mentre la stampante carica automaticamente una determinata lunghezza di etichetta.

8. Collegamento della stampante al PC

Nota:

Lo spinotto del cavo di alimentazione deve essere inserito nella presa sul retro della stampante prima di collegare i cavi di comunicazione.

La stampante è dotata di una porta seriale RS-232 della Electronics Industries Association (EIA), una porta parallela standard Centronics ed una porta USB. Il cavo seriale e USB sarà fornito dal cliente.

Nota:

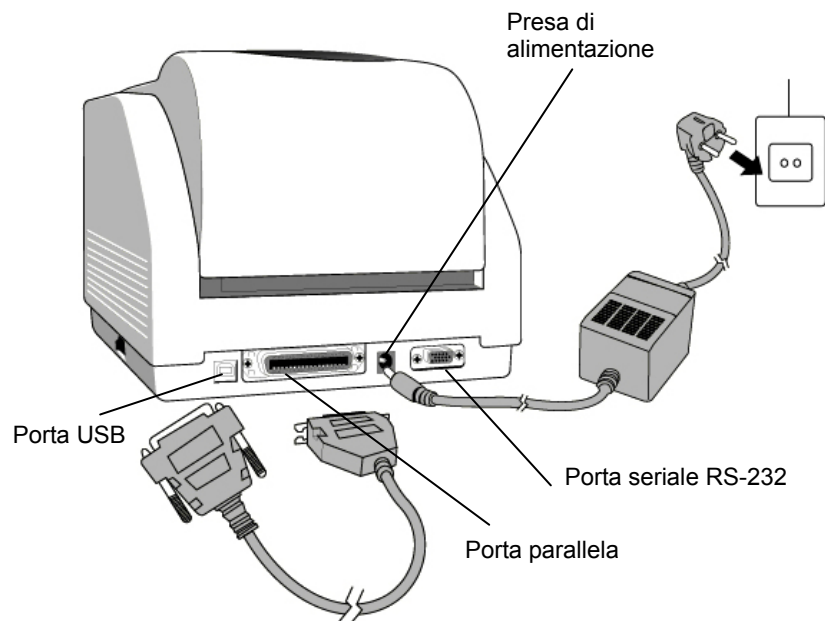
La stampante è conforme alle Norme e Regolamentazioni FCC, Parte 15, per apparecchiature di classe A che utilizzano cavi schermati da 1,83 m. L'uso di cavi più lunghi o non schermati può comportare l'aumento di emissioni radioattive al di sopra dei limiti consentiti dalla classe A.

Requisiti per la porta seriale (RS-232)

Il cavo deve essere dotato ad un'estremità di un connettore maschio tipo "D" a 9 conduttori che deve essere collegato alla porta seriale posta sul retro della stampante. L'altra estremità del cavo deve essere collegato alla porta seriale del computer.

Le impostazioni per la porta seriale sono:

Baud: 9600 – Bit di stop: 1 – Bit di dati: 8 – Parità: nessuna – Controllo di flusso: Xon / Xoff



Requisiti per la porta parallela

Il cavo (si raccomanda un cavo conforme IEEE 1284) deve disporre ad un'estremità di un connettore parallelo standard a 36 conduttori, da collegare alla porta parallela situata sul retro della stampante. L'altra estremità del cavo di interfaccia parallela deve essere collegato alla presa per la stampante situata sul computer.

Per ridurre al minimo i disturbi elettrici nel cavo:

- I cavi di comunicazione devono essere quanto più possibile corti (si raccomanda 1.80 m max).
- Non legare i cavi di comunicazione con quelli di alimentazione.
- Non accostare i cavi di comunicazione ai condotti dei cavi di alimentazione.

Note:

- 1. L'uso della porta Centronics permette di avere una velocità di trasmissione dati superiore a quella della porta seriale.**
- 2. Non è necessario posizionare l'interruttore o inviare un comando per scegliere la porta parallela o quella seriale. La stampante rileva automaticamente la porta attiva.**
- 3. Se si utilizza la porta USB si dovrà utilizzare un normale cavo USB.**

9. Driver MINIMARK

Il driver per la stampante MINIMARK è presente nel CD-ROM MarkWare 3.4 o successiva (in un CD-ROM a parte per le serie MarkWare 3.5 e superiori). Il driver può essere installato in ambiente Windows 98SE/NT4/2000/XP.

Installazione del driver MarkWare 3.4 o successiva MINIMARK

1. Installare il driver MarkWare qualora non sia già installato.
2. Inserire il **CD MarkWare 3.4 o successiva MINIMARK** nel lettore di CD-ROM. I driver possono anche essere scaricati dal sito web Brady.

Nota: se l'installazione del CD non si effettua automaticamente (autorun), aprire il menu **Avvio** |

di **Windows Explorer** e selezionare l'unità di lettura (per esempio, **D:**) dove è stato inserito il CD MW3.4 o successiva.

3. Viene visualizzata la finestra di **Scelta lingua di Installazione**. Selezionare la lingua e fare clic su **OK**.
4. Viene visualizzato lo schermo di **Scelta della porta della stampante**. Fare clic sulla porta di comunicazione che si desidera utilizzare elencata nella lista e poi fare clic su **Avanti**. Il driver della stampante verrà installato automaticamente. Se si desidera utilizzare la porta USB, selezionare USB001.
5. Al termine dell'installazione del driver verrà visualizzato un messaggio che chiede di riavviare il computer. Scegliere **Sì** o **No** per riavviare il computer in un altro momento.

Impostazione dei parametri

Dopo aver installato il driver seguire il percorso indicato di seguito per impostare i parametri:

Avvio → Impostazioni → Stampanti → MINIMARK → Proprietà

Le impostazioni comprendono:

Porte : Selezionare la porta che si desidera collegare alla stampante. La porta può essere parallela (LPT), seriale (COM), USB001 o File.

Dimensione carta : Selezionare nel menu la dimensione desiderata.

Orientazione : Impostare verticale o orizzontale secondo l'orientazione di stampa desiderata.

10. Risoluzione dei guasti

Se la stampante si trova in condizioni anomale la spia di alimentazione (LED) lampeggia. In questo caso il lavoro di stampa e la comunicazione tra la stampante ed il computer sono interrotti.

Per individuare la causa del problema verificare anzitutto le spie LED:

A. Le spie di alimentazione e di funzionamento lampeggiano contemporaneamente

| Spia alim. | Spia funzion. |
|------------|---------------|
| ON | ON |
| OFF | OFF |

| Causa possibile | Soluzioni | Osservazioni |
|---|---|---|
| La distanza tra le etichette non è stata rilevata (etichette pretagliate) | . Verificare il percorso delle etichette . Verificare il sensore delle etichette | Se si usano etichette in rotolo continuo e si opera in ambiente Windows, selezionare la carta continua. |
| Mancanza etichette | . Ricaricare un rotolo di etichette | |
| Etichette non installate | . Installare il rotolo di etichette | |
| Inceppamento etichette | . Eliminare l'inceppamento | |

B. Le spie di alimentazione e di funzionamento lampeggiano alternativamente

| Spia alim. | Spia funzion. |
|------------|---------------|
| ON | OFF |
| OFF | ON |

| Causa possibile | Soluzioni | Osservazioni |
|-------------------------|------------------------------------|--|
| Assenza di nastro | . Inserire il rotolo di nastro | Non si applica alla carta termica diretta. |
| Inceppamento del nastro | . Eliminare l'inceppamento | |
| Errore sensore nastro | . Sostituire il sensore del nastro | |

C. Solo la spia di alimentazione lampeggia

| Spia alim. | Spia funzion. |
|------------|---------------|
| ON | ON |
| OFF | ON |

| Causa possibile | Soluzioni | Osservazioni |
|---|--|--|
| Errore comunicazione seriale | . Verificare l'impostazione dei baud | Non si applica alla porta parallela |
| La lama non funziona, oppure inceppamento alla lama | . Verificare la lama . Eliminare l'inceppamento | Si verifica quando la lama è attiva ma il cavo di connessione è scollegato |
| Errore hardware | . Chiamare il servizio assistenza | |

D. Varie

- Il computer indica "Sessione scaduta stampante"
 1. Verificare che il cavo di comunicazione (parallelo, seriale o USB) sia collegato correttamente alla porta seriale, parallela o USB del PC e alla stampante.
 2. Verificare che la stampante sia accesa (interruttore ON).
- Se il cavo di alimentazione è collegato, l'interruttore di alimentazione si trova in posizione "I" e la spia di alimentazione non è accesa, verificare il fusibile presente nell'adattatore di rete.
- I dati sono stati inviati ma la stampante non stampa. Verificare che sia selezionata la stampante MINIMARK ed il relativo driver.
- La presenza di righe verticali sul documento stampato indica generalmente che la testina di stampa è sporca o guasta. Pulire anzitutto la testina e se il problema persiste sostituirla.
- Bassa qualità di stampa
 - Il nastro d'inchiostro può non essere del tipo raccomandato.
 - Il supporto di stampa può non essere del tipo raccomandato.
 - Regolare l'intensità (temperatura di riscaldamento).
 - Ridurre la velocità di stampa.
 - Riportarsi al capitolo seguente e pulire i relativi componenti.

Ripristino della stampante

Per riprendere la stampa dopo la risoluzione di un'anomalia premere semplicemente il pulsante sul pannello o riavviare la stampante. Verificare che la spia non lampeggi e rilanciare la stampa dei file.

11. Manutenzione ordinaria della stampante

Scollegare la spina di alimentazione della stampante prima di eseguire qualsiasi procedura di manutenzione.

Dopo aver utilizzato 5-8 rotoli di nastro continui o di etichette pretagliate è necessario effettuare la pulizia delle seguenti zone. Utilizzare sempre del cotone imbevuto di alcool isopropilico. Non inumidire eccessivamente il panno in cotone.

Pulizia

■ Testina di stampa

La carta termica ed il nastro rilasciano sulla testina di stampa dei detriti che riducono la qualità di stampa. Pulire la testina di stampa con un panno in cotone imbevuto di alcool isopropilico. Non toccare l'elemento riscaldante con le dita. I detriti e lo sporco sul rullo devono essere puliti con alcool.

■ Sensore della carta

I detriti e lo sporco sul sensore della carta rendono la rilevazione della distanza tra le etichette difettosa o instabile. Pulire con un panno in cotone imbevuto di alcool.

■ Taglierina

Sulla lama della taglierina e nell'alloggiamento della taglierina potrebbe accumularsi adesivo proveniente dal materiale delle etichette, causando nel tempo potenziali inceppamenti della taglierina. Pulire con un bastoncino di ovatta inumidito con alcool. A fini di sicurezza, accertarsi che le dita restino lontane dall'apertura nell'alloggiamento della taglierina durante la pulizia.

12. Caratteristiche tecniche

| Specifiche | MINIMARK |
|------------------------------|--|
| Metodo di stampa | trasferimento termico |
| Risoluzione | 203 dpi (8 punti/mm) |
| Velocità di stampa | 51~ 102 mm/s (4" sono ridotti automaticamente a 3" se la lama è ON) |
| Lunghezza di stampa | 25mm ~ 1143mm |
| Larghezza di stampa | Max 104 mm |
| Memoria | 2 MB DRAM 2 MB Flash ROM |
| CPU | microprocessore 32 bit RISC |
| Sensore supporto | A riflessione vista passante |
| Display | LED indicatori x 2 |
| Interfaccia operativa | Pulsante x 1 |
| Interfaccia di comunicazione | Centronics RS-232 seriale Bi-USB (velocità massima) |
| Software | MARKWARE, versione 3.4 e successive O Surf on Signs (non disponibile in Europa) |
| Supporto di stampa | Etichette pretagliate su nastro in continua; carta termica o vinilica/poliestere Larghezza max 108 mm Larghezza min. 25.4 mm Spessore 0635mm ~. 254mm |
| Nastro d'inchiostro | Resina (rivestimento esterno nastro) Larghezza nastro -4" Lunghezza nastro - max 100 M |
| Alimentazione | 110/220 VAC ± 10%, 50/60 Hz, alimentatore esterno |
| Norme | CE, UL, CUL, FCC classe A, CCC |
| Ambiente operativo | 4°C~38°C; 10~90% senza condensa |
| Lama | Lama rotante |

Copyright

Este manual tem copyrights e todos os direitos reservados. Nenhuma parte deste manual pode ser copiada ou reproduzida por qualquer meio sem a permissão prévia da Brady Worldwide, Inc.

Embora todas as precauções tenham sido tomadas na preparação deste documento, a Brady não assume nenhuma responsabilidade em relação a qualquer parte por qualquer perda ou dano que tenha sido causado por erros ou omissões ou por declarações que resultem de negligência, acidentes ou qualquer outra causa. A Brady, além disso, não assume nenhuma responsabilidade que se origine da aplicação ou do uso do produto ou do sistema aqui descrito; nem nenhuma responsabilidade por danos incidentais ou de consequência que se originem do uso deste documento.

A Brady se exonera de todas as garantias de possibilidade de comercialização ou de adequação para um fim específico.

A Brady se reserva o direito de realizar mudanças sem aviso prévio em qualquer produto ou sistema descrito neste para aperfeiçoar a confiabilidade, função ou projeto.

A reprodução deste material parcial ou total é estritamente proibida sem a permissão prévia por escrito da Brady Worldwide, Inc.

Todos os esforços foram feitos para elaborar este guia preciso e completo o quanto possível. A Brady Worldwide, Inc. não é responsável por imprecisões ou omissões de etiquetagem que ocorram durante o uso deste guia.

Este manual é de propriedade da Brady Worldwide, Inc. e pode ser revisado de tempos em tempos sem aviso prévio.

A Brady Worldwide, Inc. se exonera da obrigação de fornecer ao usuário quaisquer revisões, se houver.

Todas as referências a marcas ou produtos neste manual são marcas comerciais ou marcas registradas de suas respectivas empresas ou organizações.

MINIMARK™ e MarkWare™ são marcas registradas da Brady Worldwide, Inc. Windows é uma marca comercial da Microsoft Corporation.

©2005 Brady Worldwide, Inc. Todos os direitos reservados.

Este dispositivo está em conformidade com a diretiva RoHS 2002/95/EC.

Portuguese

Índice

| | |
|--|-----|
| 1. A inspeção da caixa | 166 |
| 2. Fonte de alimentação de energia elétrica | 167 |
| 3. Peças e recursos | 168 |
| 4. Como instalar o Ribbon | 170 |
| 5. Como instalar a etiqueta | 175 |
| 6. Controles do operador | 180 |
| 7. Como executar a calibragem | 181 |
| 8. Como conectar a impressora e o computador | 181 |
| 9. O driver de impressão MINIMARK | 183 |
| 10. Solução de problemas | 185 |
| 11. Cuidados com a impressora | 188 |
| 12. Informações técnicas | 189 |

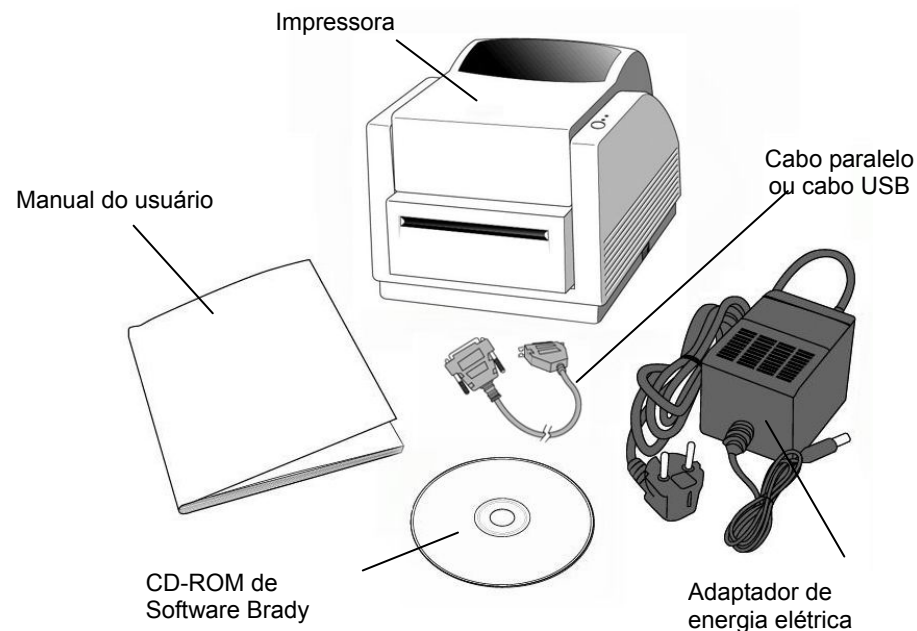
1. A inspeção da caixa

Ao receber a caixa com a sua impressora, recomendamos que ela seja inspecionada para verificar se há possíveis danos relacionados com o transporte. Há duas maneiras de fazer isso:

1. Inspeccione a aparência externa da caixa e da impressora para verificar se existem possíveis danos.
2. Levante a tampa superior da impressora para verificar se os compartimentos da mídia estão em ordem.

Se tiverem ocorrido danos, apresente a reclamação imediatamente à empresa transportadora para pagamento.

Tendo realizado as inspeções principais, como próxima etapa, verifique se você recebeu junto com a impressora, os seguintes acessórios. Se houver falta de algum item, entre em contato com seu distribuidor local para obtê-lo.

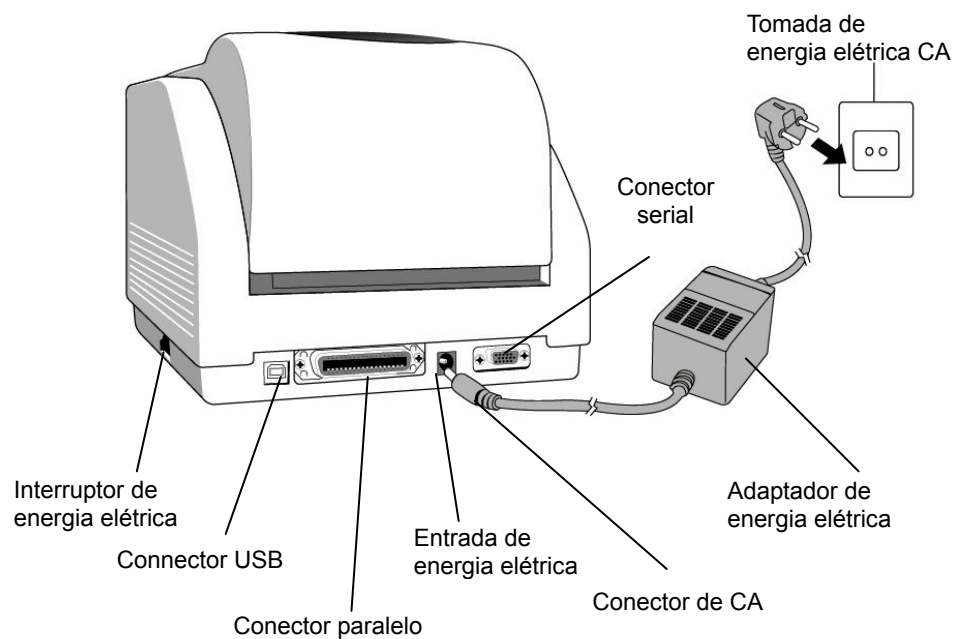


2. Fonte de alimentação de energia elétrica

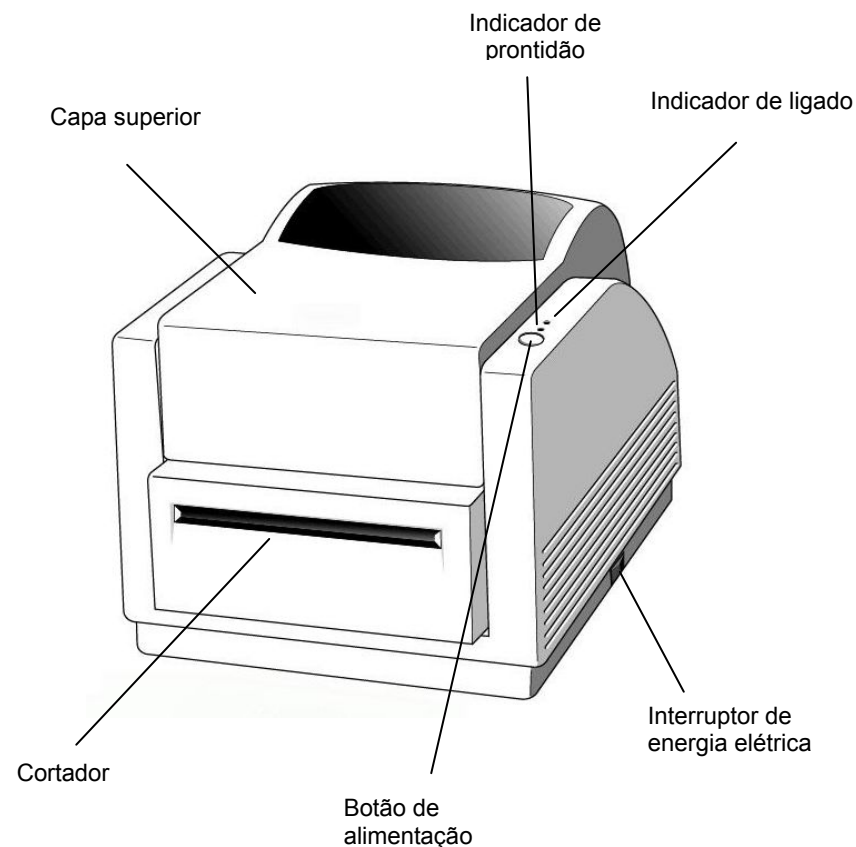
ADVERTÊNCIA:

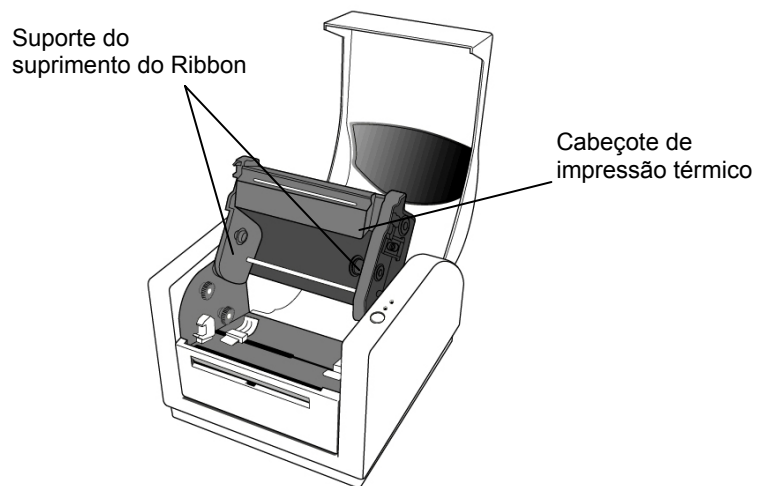
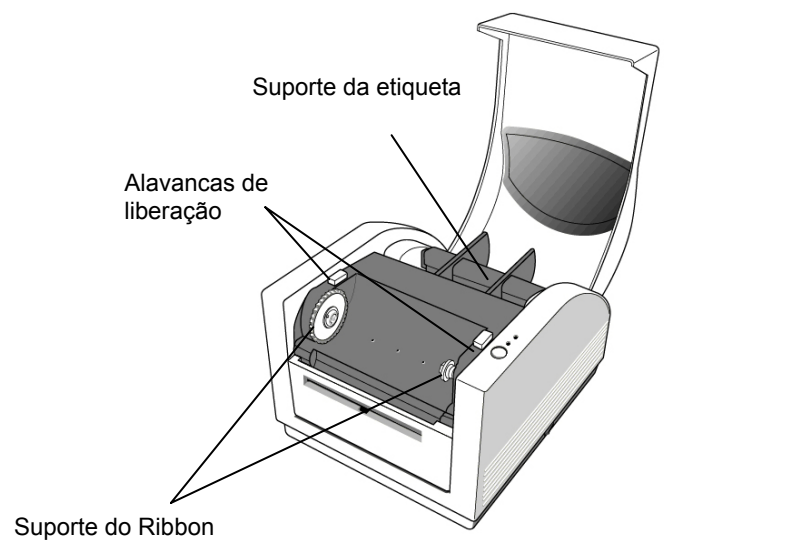
NUNCA OPERE A IMPRESSORA E A FONTE DE ALIMENTAÇÃO EM UMA ÁREA ONDE ELAS POSSAM SE MOLHAR.

1. O Adaptador de Energia Elétrica tem um conector em uma extremidade que deve ser inserido na tomada de energia elétrica na parte traseira da impressora.
2. Conecte a outra extremidade do fio em uma tomada elétrica CA apropriada.
3. Ao fazer a conexão com a tomada, deixe o interruptor de energia elétrica na posição "O" e não toque o conector paralelo de 36 pinos.



3. Peças e recursos



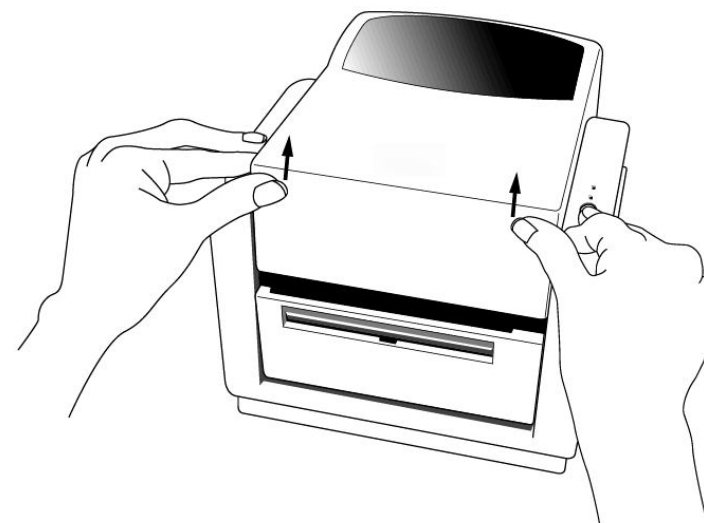


4. Como instalar o Ribbon

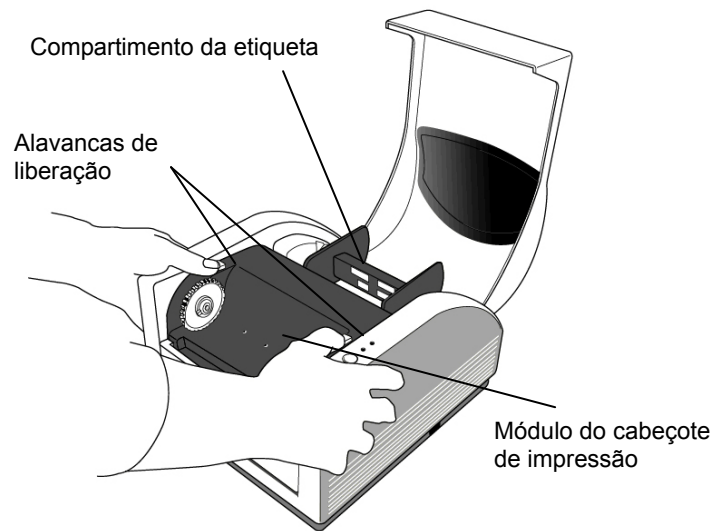
Observação:

Esta seção não se aplica a impressão térmica direta, porque nestes casos, não é necessário uma fita térmica.

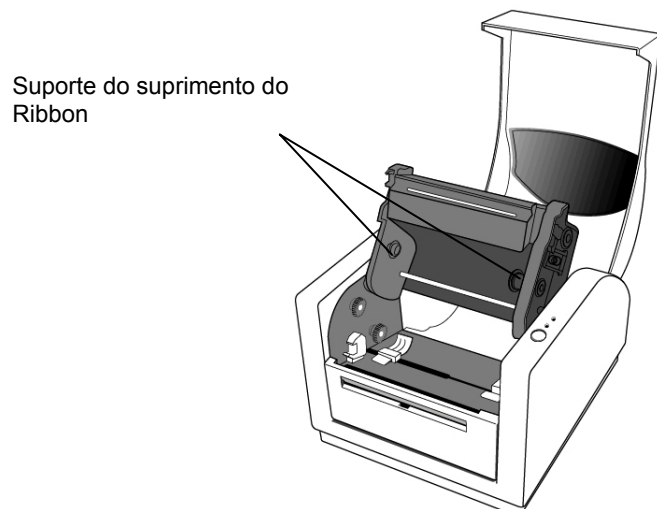
6. Levante a capa de cima para expor o compartimento da mídia.



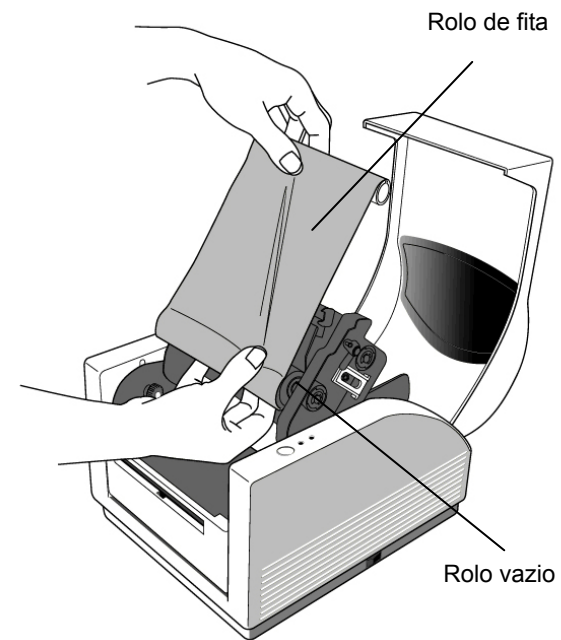
2. Destrave o módulo do cabeçote de impressão empurrando as duas alavancas roxas de liberação nos lados.



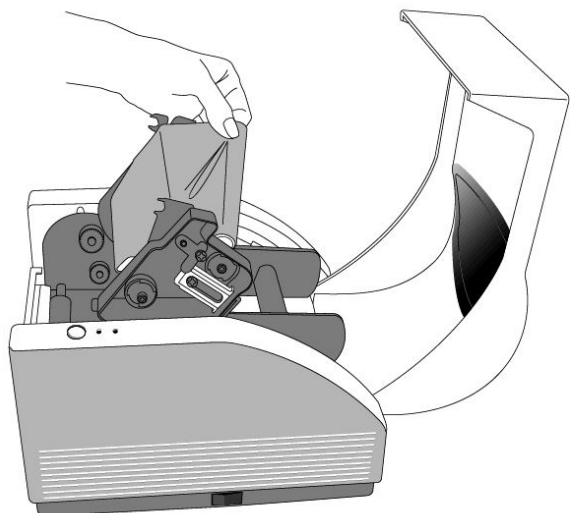
3. Vire o módulo do cabeçote de impressão para expor o suporte do suprimento do Ribbon.



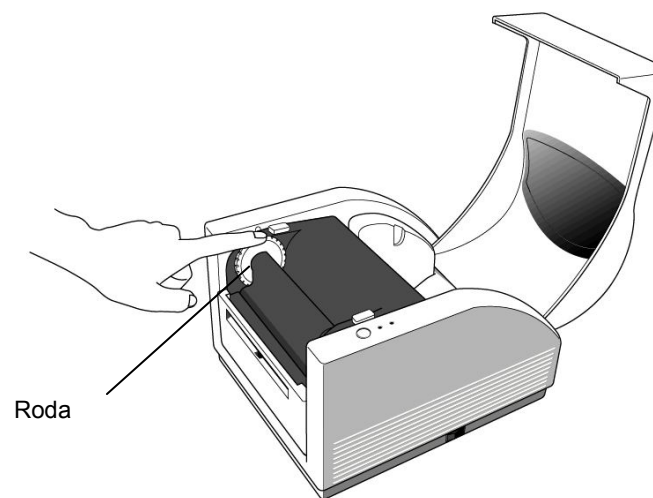
4. Abra o pacote do rolo do Ribbon e separe o rolo do Ribbon do rolo vazio.
5. Conecte a ponta do Ribbon ao rolo vazio e enrole-o um pouco no rolo vazio.
6. Insira o rolo do Ribbon no suporte do suprimento. (Fixe primeiramente o lado direito, e depois o lado esquerdo).



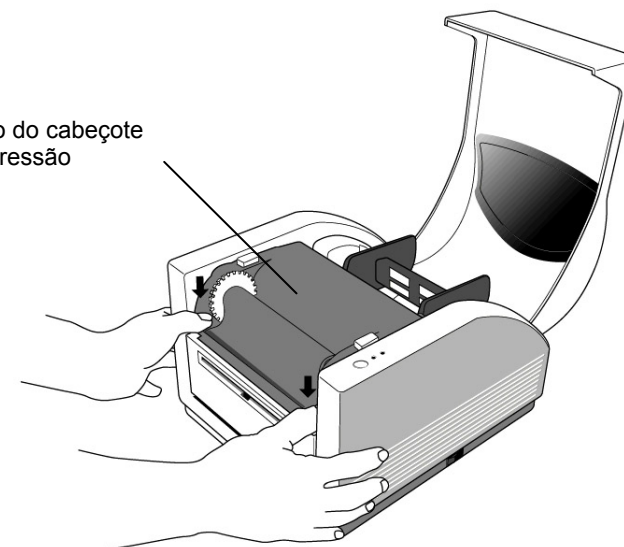
7. Vire do módulo do cabeçote de impressão de volta e então, insira o rolo vazio no suporte. (Fixe primeiramente o lado direito, e depois o lado esquerdo).



8. Gire a roda do módulo do cabeçote de impressão para assegurar que o Ribbon fique enrolado firmemente.
9. Pressione os dois lados do módulo do cabeçote de impressão firmemente para baixo até ouvir um clique em cada lado.



Módulo do cabeçote de impressão



5. Como instalar a etiqueta

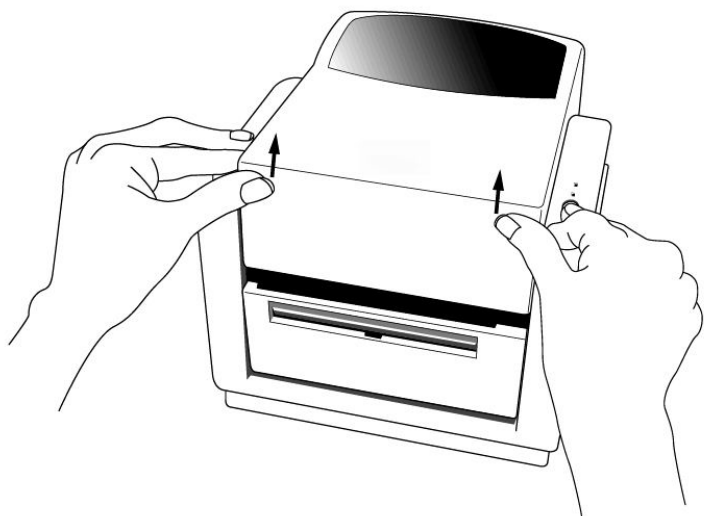
A impressora MINIMARK pode ser operada em duas opções diferentes: Cortador Ligado/ Cortador Desligado.

- No modo de cortador Ligado, a impressora corta a etiqueta automaticamente depois da impressão (2 modos: cortar entre cada etiqueta ou cortar a final do trabalho de impressão).
- No modo Cortador Desligado, a impressora não cortará nenhuma etiqueta.

Os modos Cortador Ligado e Cortador Desligado são configurados na Configuração da Impressora no software da Brady chamado Markware.

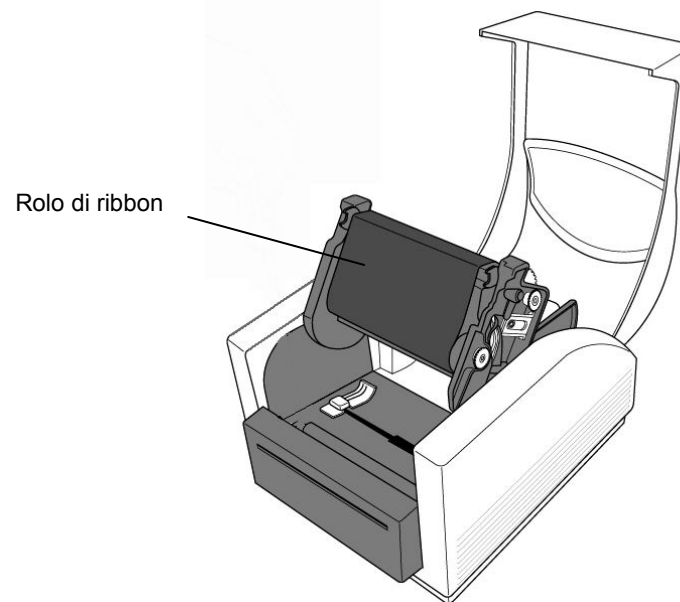
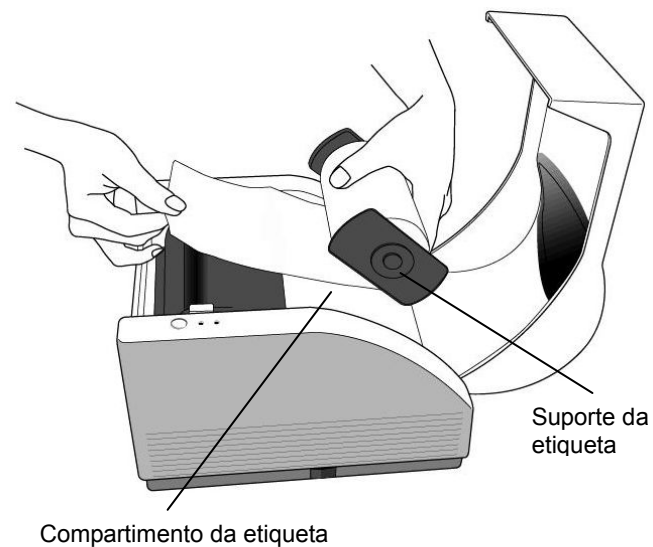
Como instalar a etiqueta (fita contínua ou etiquetas pré-cortadas)

1. Levante a capa de cima para expor o compartimento da etiqueta.



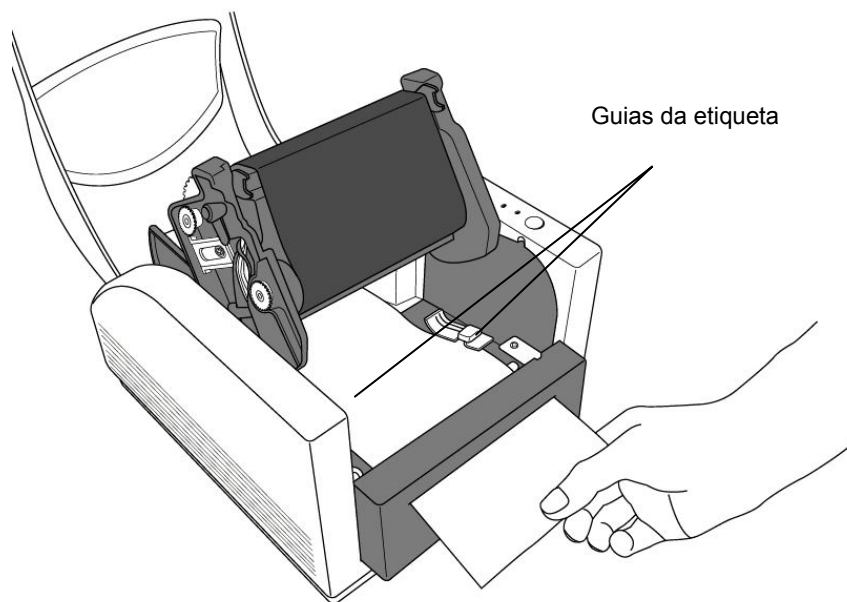
173

2. Remova o suporte da etiqueta.
3. Instale o rolo de etiqueta no suporte.
4. Destrave o módulo do cabeçote de impressão.

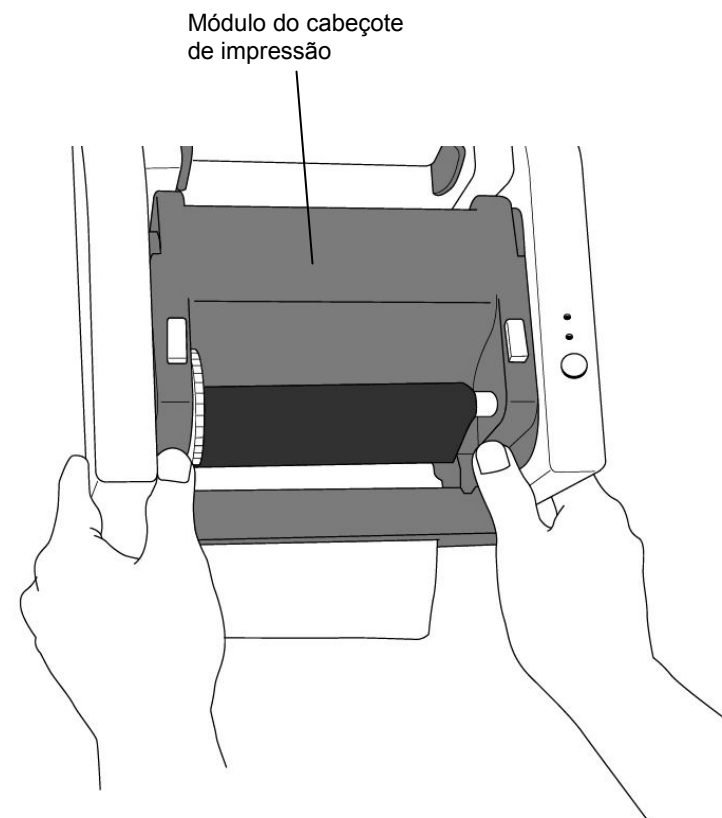


174

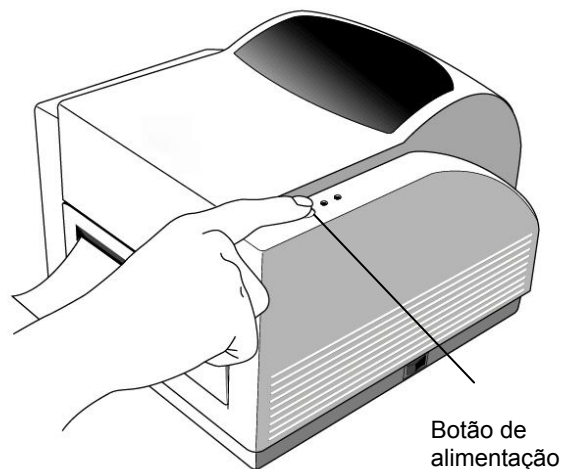
5. Direcione a etiqueta através das guias da etiqueta e do cortador (sob a placa preta dobrada) com a outra mão. A guia de mídia será ajustada centralmente para aceitar larguras diferentes de mídias.



6. Pressione os dois lados do módulo do cabeçote de impressão firmemente para baixo até ouvir um clique em cada lado.



7. Feche a tampa de cima e ligue a impressora ou pressione o botão de alimentação se a impressora já estiver ligada.



Observação:

O botão de alimentação não acionará a impressora para corte.

A função de corte pode ser somente executada quando a configuração do software estiver pronta.

6. Controles do operador

Interruptor de energia elétrica

Controla a energia elétrica alimentada à impressora

1. Ligar: operação normal – posição "I"
2. Desligar: a energia elétrica deve ser desligada antes de se conectar ou desconectar os cabos de comunicação e de energia elétrica – posição "O"

Botão de alimentação

Avance a mídia de etiquetas até a primeira posição de impressão

1. Pressione para avançar uma pequena parte de fita contínua ou de uma etiqueta
2. Pressione para tirar a impressora da condição de "pausa"

Indicador de prontidão

Exibe a situação da impressora

1. Verde: a impressora está pronta para operar
2. Piscando: a impressora está pausada

Indicador de energia elétrica

Exibe as situações de energia elétrica e de erro

1. Desligado: a energia elétrica da impressora está desligada
2. Verde: a energia elétrica da impressora está ligada
3. Piscando: ocorreu um erro

7. Como executar a calibragem

1. Mantenha o botão de alimentação pressionado enquanto liga a energia elétrica até que o motor de impressão seja ativado.
2. A calibragem foi executada enquanto a impressora é alimentada com etiquetas automaticamente por certa extensão.

8. Como conectar a impressora e o computador

Observação:

O conector de CA deve ser inserido na tomada na parte traseira da impressora antes de se conectar os cabos de comunicação.

Esta impressora vem com uma interface de dados serial de nove pinos Electronics Industries Association (EIA) RS-232, uma interface paralela padrão Centronics e uma interface USB. Em qualquer caso, você deve fornecer o cabo necessário para a interface com seu aplicativo.

Observação:

Esta impressora está em conformidade com as "Regras e Regulamentos" da FCC, Parte 15, para Equipamentos Classe A, usando cabos de dados de 1,83m totalmente blindados. O uso de cabos mais longos ou sem blindagem pode aumentar as emissões irradiadas para níveis acima dos definidos para a Classe A.

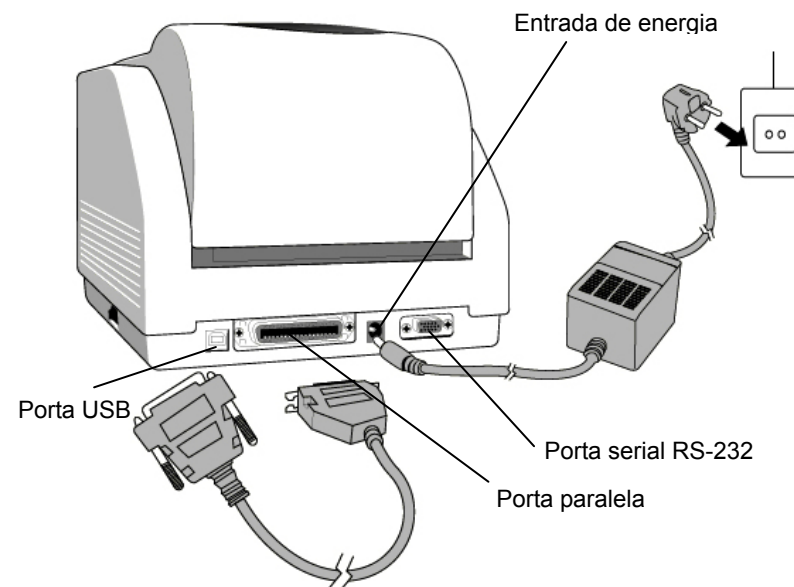
Requisitos para a interface serial (RS-232)

O cabo necessário deve ter um conector macho de nove pinos tipo "D" em uma extremidade, que esteja conectado na porta fêmea coincidente localizada na parte traseira da impressora. A outra extremidade deste cabo de interface de sinal é conectada com uma porta serial no computador host.

As configurações para a porta serial são:

Taxa de Bauds: 9600 – Bits de parada : 1 – Bits de parada:

8 – Paridade : Nenhum – Controle de fluxo: Xon / Xoff



Requisitos para a interface paralela

O cabo necessário (recomendamos um cabo em conformidade com a IEEE 1284) deve ter um conector paralelo padrão de 36 pinos em uma extremidade, conectado na porta paralela localizada na parte traseira da impressora. A outra extremidade deste cabo de interface de sinal é conectada com a porta serial no computador host.

Para minimizar a coleta de ruído elétrico no cabo:

- Mantenha os cabos de dados tão curtos quanto possível (recomendamos 6 pés (ft) [1,83 m]).
- Não forme conjuntos de fiação dos cabos de dados com cabos de energia elétrica.
- Não amarre cabos de dados em conduítes de fios de energia elétrica.

Observações:

1. O uso da Centronics permite a comunicação com velocidades muito maiores que com o uso de uma conexão serial.

2. Não é necessário configurar ou enviar qualquer comando para selecionar a porta paralela ou serial. A impressora pode detectá-la automaticamente.

3. Um cabo USB normal é usado se a porta USB for selecionada.

9. O driver de impressão MINIMARK

O driver de impressão MINIMARK é enviado juntamente com o CD-ROM MarkWare 3.4 ou mais recente versão (em um CD-ROM de drivers de impressão separado para o MarkWare 3.5 ou mais recente versão). O driver pode ser instalado com o Windows 98SE / NT4 / 2000 / XP.

Como instalar o driver de impressão MINIMARK MarkWare 3.4 ou mais recente versão

1. Instale o MarkWare se ainda não foi instalado.
2. Insira o **CD MINIMARK MarkWare 3.4 ou mais recente versão** no dispositivo de CD-ROM. Também é possível baixar os drivers no site da Brady em

Observação: Se o CD de instalação não for executado automaticamente, vá para **Start (Iniciar)\Windows Explorer** e selecione o dispositivo de disco de CD-ROM (por exemplo, **D:**) onde está localizado o MW3.4 no CD.

3. A caixa **Choose Setup Language (Selecione um idioma de configuração)** será exibida. Selecione um idioma e clique em **OK**.
4. A tela **Choose Printer Port (Selecione a porta da impressora)** é exibida. Da lista, clique na porta de comunicação que deseja que seja usada e clique **Next (Próximo)**. O driver da impressora será instalado automaticamente. Se você desejar USB, selecione USB001.
5. Quando a instalação do driver de impressão for concluída, será exibida uma mensagem pedindo que você reinicie o seu computador. Selecione **Yes (Sim)** ou **No (Não)** para reiniciar seu computador mais tarde.

Como configurar os parâmetros

Depois de instalar o driver, você pode seguir o caminho abaixo para definir os parâmetros:

Start (Iniciar) → Settings (Configurações) → Printers (Impressoras) → MINIMARK → Properties (Propriedades)

Os parâmetros incluem:

Portas Selecione a porta correta a ser vinculada com a impressora. A porta pode ser uma porta paralela (LPT), serial (COM), USB001 ou File (Arquivo).

Tamanho do papel Selecione o tamanho de papel apropriado no menu.

Orientação Defina retrato ou paisagem de acordo com a direção de impressão.

10. Solução de problemas

Normalmente, quando a impressora estiver em uma condição anormal, o LED de energia elétrica continuará piscando. O trabalho de impressão e a comunicação entre o host e a impressora serão interrompidos.

Para compreender este problema, verifique ambos os LEDs em primeiro lugar:

A. LEDs de Ligado e de Prontidão piscam ao mesmo tempo

| LED de Ligado | LED de Prontidão |
|---------------|------------------|
| LIGADO | LIGADO |
| DESLIGADO | DESLIGADO |

| Possíveis problemas | Soluções | Comentários |
|---|---|--|
| Detecção errada do espaçamento (Etiqueta pré-cortada) | . Verifique o caminho da etiqueta . Verifique o sensor da etiqueta | Se estiver usando um rolo contínuo de etiquetas e estiver usando o Windows, você deve selecionar a mídia contínua. |

| Possíveis problemas | Soluções | Comentários |
|------------------------|--|-------------|
| Sem etiquetas | . Abasteça o rolo de etiquetas | |
| Etiqueta não-instalada | . Instale o rolo de etiquetas | |
| Etiqueta presa | . Resolva o problema de etiqueta presa | |

B. LEDs de “Ligado” e de “Prontidão” piscam alternadamente

| LED de Ligado | LED de Prontidão |
|---------------|------------------|
| LIGADO | DESLIGADO |
| DESLIGADO | LIGADO |

| Possíveis problemas | Soluções | Comentários |
|------------------------|------------------------------------|--|
| Sem fita | . Instale um novo rolo de fita | Não aplicável para o tipo de impressão térmica direta. |
| Fita presa | . Resolva o problema de fita presa | |
| Erro no sensor de fita | . Substitua o sensor da fita | |

C. Somente o LED de Ligado pisca

| LED de Ligado | LED de Prontidão |
|---------------|------------------|
| LIGADO | LIGADO |
| DESLIGADO | LIGADO |

| Possíveis problemas | Soluções | Comentários |
|---|--|---|
| Erro serial | . Verifique a taxa de bauds | Não aplicável para o Centronics |
| Memória cheia | . Adicione o RAM de extensão | |
| Falha do cortador, ou preso no cortador | . Verifique o cortador . Resolva o problema no cortador | Quando ocorrer enquanto o cortador estiver ativado, mas o cabo desconectado |
| Erro de hardware | . Chame a assistência técnica | |

D. Outros

■ O host exibe "Printer Time out"

1. Verifique se o cabo de comunicação (paralelo, serial ou USB) está conectado firmemente à porta paralela, serial ou USB no PC e ao conector na impressora na outra extremidade.
2. Verifique se o botão de ligar a impressora está ligado.

■ Se o cabo de energia elétrica estiver conectado, o interruptor de energia elétrica está na posição "I" e o LED de Ligado ainda não estiver iluminado, verifique o fusível dentro do compartimento do adaptador de energia elétrica.

■ Os dados foram enviados, mas não há saída da impressora. Verifique qual a impressora ativa, se a impressora MINIMARK foi selecionada.

■ Listas verticais na impressão geralmente indicam que há um cabeçote de impressão sujo ou com falha.

Limpe o cabeçote de impressão e se o problema persistir, substitua o cabeçote de impressão.

■ Qualidade de impressão ruim.

- . O Ribbon pode não ser qualificado para a impressora.
- . A etiqueta pode não ser qualificada para a impressora.
- . Ajuste a cor preta (temperatura de aquecimento).
- . Reduza a velocidade de impressão.
- . Consulte o próximo capítulo e limpe as peças de reposição relacionadas.

Recuperação

Para continuar seus trabalhos de impressão depois que as condições anormais tenham sido corrigidas, simplesmente pressione o botão do painel ou reinicie a impressora. Certifique-se que o LED não esteja piscando e lembre-se de reenviar os arquivos.

11. Cuidados com a impressora

Desconecte a impressora da tomada de energia elétrica antes de realizar quaisquer procedimentos de manutenção.

Limpe as áreas a seguir da impressora depois de usar 5-8 rolos de fitas contínuas ou de etiquetas pré-cortadas. Em ambos os casos, use um cotonete umedecido com álcool isopropílico. Não molhe o cotonete excessivamente.

Limpeza

■ Cabeçote de impressão térmica

O papel térmico e a fita liberam resíduos no cabeçote de impressão que degradam a qualidade da impressão. Limpe o cabeçote de impressão com álcool isopropílico com um cotonete. Não toque o elemento de aquecimento com os dedos. Os resíduos ou sujeira no rolete devem ser limpos com álcool.

■ Sensor de papel

Resíduos ou sujeira no sensor de papel provocarão falhas de leitura ou detecção instável do espaçamento entre as etiquetas. Limpe com um cotonete umedecido com álcool.

■ Cortador

O adesivo do material das etiquetas pode se acumular na lâmina e no compartimento do cortador ao longo do tempo, e potencialmente causar travamentos no cortador. Limpe com um cotonete umedecido com álcool. Para fins de segurança, assegure-se que os dedos permaneçam longe da abertura do compartimento do cortador enquanto realiza a limpeza.

12. Informações técnicas

| Especificações | MINIMARK |
|--------------------------|---|
| Método de impressão | Transferência térmica |
| Resolução da impressão | 203 dpi (8 pontos/mm) |
| Velocidade de impressão | 1 ~ 4 ips (51~ 102 mm/s) 4" é reduzido automaticamente para 3" se o cortador estiver ativado |
| Comprimento de impressão | 1" ~ 45" (25mm ~ 1143mm) |
| Largura de impressão | Máx. 4,1" (104 mm) |
| Memória | 2 MB DRAM 2 MB Flash ROM |
| Tipo de CPU | Microprocessador RISC de 32 bits |
| Sensor de mídia | Refletivo Transparente |
| Tela | Indicadores LED x 2 |
| Interface de operação | Botão x 1 |
| Interface de comunicação | Centronics RS-232 serial Bi-USB (velocidade total) |
| Software | MARKWARE, versão 3.4 e mais recente OU Surf on Signs (Não disponível na Europa) |
| Etiquetas | Fitas contínuas de etiquetas pré-cortadas; papel térmico ou vinil / poliéster Largura máx. 4,25" (108 mm) Largura mín. 1,0" (25.4 mm) espessura 0,0025"~0,01" (0,0635mm ~0,254mm) |
| Ribbons | Cera, cera/resina, resina (ribbon com revestimento externo) Largura da fita –4" Comprimento da fita– máx. 100 m |
| Fonte de alimentação | 110/220 VAC ± 10%, 50/60 Hz, adaptador externo de energia elétrica |
| Classificação de agência | CE, UL, CUL, FCC classe A, CCC |
| Ambiente de operação | 40°F ~ 100°F (4°C~38°C) ; 10~90% sem condensação |
| Cortador | Cortador rotativo |



Australia - www.bradyID.com.au