



# TLS2200 PRINTER

## User Manual



## Copyright

---

This manual is copyrighted with all rights reserved. No portion of this manual may be copied or reproduced by any means without the prior written consent of Brady Worldwide, Inc.

While every precaution has been taken in the preparation of this document, Brady assumes no liability to any party for any loss or damage caused by errors or omissions or by statements resulting from negligence, accident, or any other cause. Brady further assumes no liability arising out of the application or use of any product or system described, herein; nor any liability for incidental or consequential damages arising from the use of this document. Brady disclaims all warranties of merchantability of fitness for a particular purpose.

### Trademarks

TLS PC Link™ and LabelMark™ are trademarks of Brady Worldwide, Inc.

CODESOFT™ is a trademark of Teklynx International Co.

Microsoft and Windows are registered trademarks of Microsoft Corporation.

Brady reserves the right to make changes without further notice to any product or system described herein to improve reliability, function, or design.

© 2001 Brady Worldwide, Inc. All Rights Reserved

Revision 0

Firmware Version 1.0

Brady Worldwide, Inc.  
6555 West Good Hope Road  
P.O. Box 2131  
Milwaukee, WI 53201

Main Switchboard:	(800) 541-1686
	(414) 358-6600
FAX:	(800) 292-2289
Sales/Customer Support:	(800) 537- 8791

## **FCC Notice—U.S. Only**

---

**WARNING:** This equipment generates, uses, and can radiate radio frequency energy. If not installed and used in accordance with the manufacturer's instructions, it may cause interference to radio communications. It has been tested and found to comply with the limits for a Class A computing device pursuant to Subpart J of Part 15 of the FCC rules, which are designed to provide reasonable protection against interference when operating in a commercial environment. Operation of this equipment in a residential area is likely to cause interference, in which case corrective measures will be at the owner's expense.

The user is cautioned that any changes or modifications not expressly approved by Brady Worldwide, Inc. could void the user's authority to operate the equipment.

This is a Class A product. In a domestic environment this product may cause radio interference in which case the user may be required to take adequate measures.

### **Europe**

This is a Class A product. In a domestic environment this product may cause radio interference in which case the user may be required to take adequate measures.

### **Canada**

This Class A digital apparatus meets all requirements of the Canadian Interference-Causing Equipment Regulations.

## **Brady Warranty**

---

Our products are sold with the understanding that the buyer will test them in actual use and determine for him or herself their adaptability to his/her intended uses. Brady warrants to the buyer that its products are free from defects in material and workmanship, but limits its obligations under this warranty to replacement of the product shown to Brady's satisfaction to have been defective at the time Brady sold it. This warranty does not extend to any persons obtaining the product from the buyer.

THIS WARRANTY IS IN LIEU OF ANY OTHER WARRANTY, EXPRESS OR IMPLIED INCLUDING, BUT NOT LIMITED TO ANY IMPLIED WARRANTY OF MERCHANTABILITY OR FITNESS FOR A PARTICULAR PURPOSE, AND OF ANY OTHER OBLIGATIONS OR LIABILITY ON BRADY'S PART. UNDER NO CIRCUMSTANCES WILL BRADY BE LIABLE FOR ANY LOSS, DAMAGE, EXPENSE OR CONSEQUENTIAL DAMAGES OF ANY KIND ARISING IN CONNECTION WITH THE USE, OR INABILITY TO USE, BRADY'S PRODUCTS.

YOU SHOULD CAREFULLY READ THE FOLLOWING TERMS & CONDITIONS OF THIS LICENSE AGREEMENT. IF YOU DO NOT AGREE WITH THESE TERMS & CONDITIONS, PLEASE PROMPTLY RETURN THIS PACKAGE FOR A FULL REFUND.

## Technical Support

---

Choose one of the following options to contact TLS PC Link™ system support provided by Brady Worldwide, Inc.:

1. To speak with a Technical Support Representative, call (800) 643-8766; Monday - Friday 7:00 a.m. - 7:00 p.m. (CST).
2. FAX your inquiry to (414) 358-6767.
3. Contact Brady's Technical Support Team on-line at: [tech\\_support@bradycorp.com](mailto:tech_support@bradycorp.com).

# Table of Contents

---

Introduction.....	1
Unpacking.....	1
Optional Accessories.....	1
TLS PC Link System Specifications.....	2
Physical and Environmental Characteristics.....	3
Certification.....	3
Installing the Windows Printer Driver.....	4
Installing the Windows Printer Driver.....	4
COM Port Settings.....	4
Selecting the TLS PC Link Printer.....	4
Setting up the Printer.....	5
Devices and Connections.....	5
Quick Setup Guide.....	5
AC Power.....	5
Battery.....	5
Insert a media roll:.....	7
Remove a media roll:.....	7
Printing Labels.....	8
Controlling Printer Using Direct Commands.....	8
LED Indicator.....	8
Buttons/Commands.....	8
Quick Label Printing.....	9
Maintenance.....	10
Cleaning.....	10
Cleaning Routine.....	10
Appendix 1: Troubleshooting.....	11
Troubleshooting Steps.....	11
Common Problems & Solutions.....	11



## Introduction

---

Welcome to the *TLS PC Link™ User's Manual*. The TLS PC Link allows you to print labels directly from your PC using popular Windows Labeling Software packages such as LabelMark™ and CODESOFT™. This manual provides you with the information you need to setup and begin using the TLS PC Link printer.

This manual does not contain information on labeling software packages. Refer to the user's guide for the Windows Labeling Software package that you are using.

This user's manual does not contain information on programming the printer. Refer to the *TLS PC Link Programmer's Guide* for printer programming information.

### Unpacking

Before you begin setting up the TLS PC Link, verify you have received the following items in your packaging:

- |   |   |
|---|---|
| <input type="checkbox"/> TLS PC Link Printer            | <input type="checkbox"/> Quick Start Guide            |
| <input type="checkbox"/> Power Supply/Battery Charger   | <input type="checkbox"/> User's Manual                |
| <input type="checkbox"/> Communications Cable           | <input type="checkbox"/> Programmer's Guide           |
| <input type="checkbox"/> Ribbon Cartridge (R6210)       | <input type="checkbox"/> Ribbon Cross Reference Guide |
| <input type="checkbox"/> Sample Label Roll (PTL-19-423) | <input type="checkbox"/> Windows Printer Driver       |
| <input type="checkbox"/> LabelMark™ Labeling Software   |   |

### Optional Accessories

The following parts and accessories can be ordered from your Brady Worldwide, Inc. supplier:

- Rechargeable Battery Pack
- Cleaning Cards



## Saving Your Packaging

The packaging surrounding your TLS PC Link should be saved in the event of any future shipments of the printer and accessories.



---

**WARNING:** Never ship the TLS PC Link without first removing the rechargeable battery pack from the printer **and** disengaging the print head.

If shipping both the printer and battery pack, remove the battery pack from the printer and place the items in the original shipping material before transporting.

---

## TLS PC Link System Specifications

The TLS PC Link has the following specifications:

- Weight 2.75 lbs. (1.25 kg)
- Thermal Transfer Print Mechanism 203 dpi (8 dots/mm)
- Custom True Type Font
- Elastomeric Keypad—three keys + tri-colored LED
- Bitmap Printing
- Labels up to 2” (50.8 mm) Wide
- Print Width – 1.81” (46 mm)
- Print Length – 6” max.
- Adjustable for Six Different Liner Widths
- Prints 500\* Labels Between Battery Charges
- Six Month Warranty

\*You may experience a printer slowdown if printing large quantities of labels at one time depending on the material, label size, and amount of print coverage.

## Physical and Environmental Characteristics

The TLS PC Link has the following physical and environmental characteristics:

Physical	Metric Units	U.S. Units
<b>Dimensions</b>	305 x 95 x 114 mm.	12 x 3.75 x 4.5 in.
<b>Weight (with battery pack)</b>	1.32 kg	2.75 lb.

Environmental	Operation	Storage
<b>Temperature*</b>	4° to 40°C (40° to 105°F)	-18° to 60°C (0° to 140°F)
<b>Relative Humidity</b>	20% to 95% (non-condensing)	10% to 80% (non-condensing)

\*Exposing the TLS PC Link to direct sunlight is not recommended.

## Certification

The TLS PC Link has the following certifications:

- FCC Class A Approved
- UL/CUL-listed Battery Charger

## Installing the Windows Printer Driver

---

You can print labels on the TLS PC Link printer using virtually any Windows application. A Windows printer driver is provided on a diskette. Once you install the driver, you can send data from your PC application using the Print command just like you would any other printer on your system.

### Installing the Windows Printer Driver

You can add the TLS PC Link printer the same way you would any other printer on your system.

To install the Windows printer driver:

1. Insert the Windows printer driver diskette (included with your TLS PC Link printer) into the floppy disk drive (A:) on your PC.
2. Click **Start → Settings → Printer**.
3. From the Windows Printer dialog box, select **Add Printer**.
4. Follow the prompts to install a new printer. When prompted, select add **Local** printer and **Have Disk**.
5. In the Install from Disk box, type in or browse to A:\, then select OK.

### COM Port Settings

In order to establish communication between the TLS PC Link printer and your PC, you must have the correct COM port settings:

Setting	Value
BPS	9600
Data Bits	8
Parity	None
Stop Bits	1
Flow Control	Hardware

After installing the printer driver, you can select the TLS PC Link for printing from your labeling software.

### Selecting the TLS PC Link Printer

You can select the TLS PC Link Printer from within your labeling software the same way you would any other printer on your system. Simply select the TLS PC Link from the Print Setup dialog box.

# Setting up the Printer

---

## Devices and Connections

The following devices control the TLS PC Link printer and connect it to a power supply and data source (PC):

Device	Function
Power Button	Powers up printer.
Function Button	Aligns media vertically so that top of label is in print position.
Feed Button	Advances media to next cut position.
LED Indicator	Displays printer status.
Communications Port	Connects to PC.
Power Supply Port	Connects to power supply.

Refer to *Controlling Printer Using Direct Commands* on page 8 of this manual for information on using buttons and button combinations to execute printer commands.

## Quick Setup Guide

Following are the steps necessary to setup the TLS PC Link:

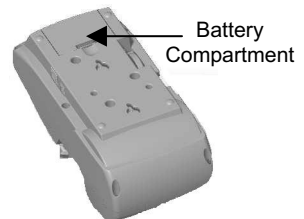
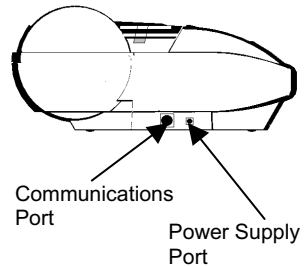
### Step 1. Power Up Printer

#### AC Power

- Plug Power Supply into a free electrical outlet.
- Plug connector end into side of printer.

#### Battery

- Turn printer over and locate battery compartment.  
Open battery compartment and insert battery.
- Close battery compartment.
- Charge battery pack for a minimum of 5 hours before initial use. Plug in Power Supply to charge battery. For faster charge time, use the Brady Battery Quick Charger.

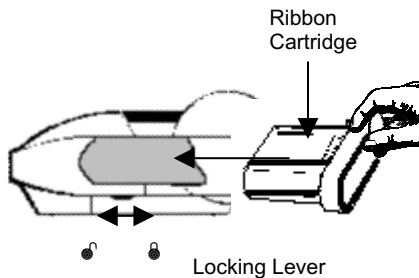


## Step 2. Connect TLS PC Link to Your PC

- Locate communication port on side of your TLS PC Link.
- Plug communications cable into communications port and set TLS PC Link next to your PC.
- Locate an unused serial port on back of your PC. Plug free end of communications cable into serial port and tighten screws.

## Step 3. Insert Ribbon Cartridge

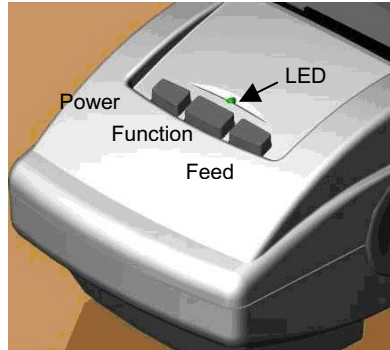
- Remove cartridge from bag. Avoid touching or creasing ribbon.
- Remove any ribbon slack by rotating take-up spool end counter-clockwise.
- Slide ribbon cartridge firmly into TLS PC Link. *Locking lever must be in unlock position.*
- Push locking lever towards back of TLS PC Link to close print head and lock ribbon cartridge in place.



## Step 4. Install Media Roll

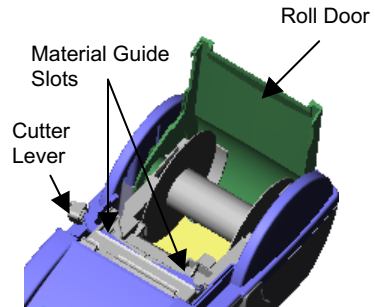
### Insert a media roll:

- Slide locking lever to lock position.
- Press **<Power>** button on top of TLS PC Link.
- Open roll door.
- Pressing guide plate lever down, slide and snap it into a notch that matches your media roll width.
- Making sure media unwind from top, snap media roll firmly into cradle.
- Feed leading edge of media roll through guide slots.
- Press **<Feed>** button on top of TLS PC Link. (Continue to manually push media roll edge until it catches.)
- Press **<Function>** to vertically align media so that top of label is in print position.



### Remove a media roll:

- Cut off printed media with cutter lever.
- Open roll door.
- Slide locking lever to unlock position.
- Back media out of material guide slots.



# Printing Labels

---

## Controlling Printer Using Direct Commands

You can control the TLS PC Link printer by pressing the **<Power>**, **<Function>**, or **<Feed>** buttons, or a combination of buttons.

### LED Indicator

The LED indicator displays:

<i>green</i>	when the printer is functioning properly
<i>red</i>	when there is an error
<i>orange</i>	when the battery is low

### Buttons/Commands

Pressing one or a combination of buttons executes the following commands:

<i>Press this button or combination of buttons:</i>	<i>To execute this printer command:</i>	<i>The LED Indicator will display:</i>
<b>&lt;Power&gt;</b>	<ul style="list-style-type: none"><li>• Power up printer.</li></ul>	<ul style="list-style-type: none"><li>• Red Flashing Twice, then Solid Green</li></ul>
	<ul style="list-style-type: none"><li>• Power down printer.</li></ul>	<ul style="list-style-type: none"><li>• LED Off</li></ul>
<b>&lt;Function&gt;</b>	<ul style="list-style-type: none"><li>• Align label material vertically—bring top of label to print position.</li></ul>	<ul style="list-style-type: none"><li>• Green</li></ul>
	<ul style="list-style-type: none"><li>• Aligns material after an error has been corrected.</li></ul>	<ul style="list-style-type: none"><li>• Red (during error detection), then Green</li></ul>
<b>&lt;Feed&gt;</b>	Feed label material to next cut position.	Green
<b>&lt;Power&gt;+&lt;Feed&gt;</b>	Run cleaning routine.	Green Flashing

## Quick Label Printing

---



**Note:** A Windows Printer Driver diskette is included with your TLS PC Link printer. You must install the printer driver on your PC in order to print with the TLS PC Link printer. Refer to *Installing the Windows Printer Driver* on page 4 of this manual.

---

- Press **<Power>**. The LED indicator flashes red twice then turns solid green. If the LED indicator turns solid red, it indicates an error. Refer to *Appendix 1: Troubleshooting* on page 11 of this manual for information on recognizing and correcting errors.
- Print labels from your labeling software. (Select TLS PC Link from the printer dialog box.)

When the printer is receiving data from your PC, the LED indicator will flash **green** if the printer is functioning properly. The LED will be **red** if there is a printer error.

To power down printer, press **<Power>**. Although the printer takes a few seconds to power down, the LED indicator will turn off immediately.



# Maintenance

---

## Cleaning

The TLS PC Link requires little maintenance except for occasional cleaning. Clean the printhead whenever it appears dirty or when print quality is poor. Brady recommends cleaning after each use and/or after every 2 rolls of label material.

## Cleaning Routine

To clean the printhead, perform the following steps:

1. Make sure the unit is powered down.
2. Press the **<Power>** and **<Feed>** buttons simultaneously. The LED indicator will flash green indicating that you need to insert a cleaning strip.
3. Make sure the locking lever is locked and raise the printhead.
4. Insert a cleaning strip.



---

**Note:** If you do not insert the cleaning strip immediately after the LED indicator flashes green, the printer will time out and you will have to begin again.

---

5. Press **<Feed>**. The strip will move back and forth through the unit two times.
6. Cut the cleaning strip using the cutting lever. (The LED indicator will flash green prompting you to cut the strip.)
7. Press **<Feed>**. Perform steps 6 and 7 a total of four times. (The LED indicator will flash green prompting you to cut the cleaning strip each time.)
8. When the cleaning routine is finished the remainder of the cleaning strip ejects and the unit automatically powers down. (The LED indicator turns off.)

## Appendix 1: Troubleshooting

---

This section describes basic troubleshooting techniques you can perform if you are experiencing trouble using the TLS PC Link printer. The table following the troubleshooting steps describes common problems and their solutions.

### Troubleshooting Steps

If you are having a problem with the TLS PC Link, perform the following steps:

1. Make sure that the TLS PC Link has the correct media installed and that it is loaded correctly. Refer to the *Quick Setup Guide* on page 5 of this user's manual.
2. Make sure that the TLS PC Link is connected to a power source through the AC Adapter, or that a fully charged battery is installed.
3. Make sure the media path is not obstructed.
4. Make sure the roll door is closed.

If these steps do not solve the problem, contact technical support. Refer to page IV (front section of this manual) for *Technical Support* contact numbers.

### Common Problems & Solutions

Brady recommends reviewing the following common problems and solutions *before* calling technical support:

Problem	Solution
LED Indicator not lit	<ul style="list-style-type: none"><li>• Make sure that the power supply and communications cable are connected to their proper ports. Refer to the <i>Quick Setup Guide</i> on page 5.</li><li>• Disconnect communications cable. If the LED lights green, the problem may be with your PC or the labeling software.</li></ul>
LED Indicator stays red	<ul style="list-style-type: none"><li>• Make sure roll door is closed.</li><li>• Make sure locking lever is locked.</li><li>• Make sure you are not out of label material.</li><li>• Make sure you are not out of ribbon.</li><li>• Replace label material. (In case of smart cell error.)</li></ul>

<b>Problem</b>	<b>Solution</b>
LED Indicator turns orange	<ul style="list-style-type: none"> <li>• The battery may be low. Plug in the power supply.</li> </ul>
Labels will not print	<ul style="list-style-type: none"> <li>• Make sure that you are using the correct media for the type of label you are printing.</li> <li>• Make sure that the ribbon is loaded correctly in the printer. Refer to instructions on page 6.</li> <li>• Make sure your COM port settings are correct. Refer to <i>COM Port Settings</i> on page 4.</li> </ul>
Label material will not feed	<ul style="list-style-type: none"> <li>• Make sure that label material is loaded correctly. Refer to instructions on page 7.</li> <li>• Power down the printer, then power up. Press &lt;Feed&gt;.</li> </ul>
Poor print quality	<ul style="list-style-type: none"> <li>• Make sure label material is loaded correctly. Refer to instructions on page 7.</li> <li>• Clean printhead. Follow the <i>Cleaning Routine</i> instructions on page 10 of this document.</li> <li>• Try new label material.</li> <li>• Check print quality settings on your PC.</li> </ul>



Identification Solutions  
& Specialty Tapes

**Brady Australia Pty Ltd**  
ABN 28 000 788 447  
2 Bellevue Circuit,  
Greystanes NSW 2145

**Email:** [brady\\_aust@bradycorp.com](mailto:brady_aust@bradycorp.com)  
**Phone:** 1800 620 816  
**Fax:** 1800 805 076

TLS PC Link<sup>TM</sup> is a trademark of BRADY Worldwide, Inc.  
©2000 BRADY Worldwide, Inc. Printed in U.S.A.  
All rights reserved. Rev. 0