



M211

LABEL PRINTER

User Manual

Copyright and Trademarks

Disclaimer

This manual is proprietary to Brady Worldwide, Inc. (hereafter “Brady”), and may be revised from time to time without notice. Brady disclaims any understanding to provide you with such revisions, if any.

This manual is copyrighted with all rights reserved. No portion of this manual may be copied or reproduced by any means without the prior written consent of Brady.

While every precaution has been taken in the preparation of this document, Brady assumes no liability to any party for any loss or damage caused by errors or omissions or by statements resulting from negligence, accident, or any other cause. Brady further assumes no liability arising out of the application or use of any product or system described, herein; nor any liability for incidental or consequential damages arising from the use of this document. Brady disclaims all warranties of merchantability of fitness for a particular purpose.

Brady reserves the right to make changes without further notice to any product or system described herein to improve reliability, function, or design.

Trademarks

M211 is a trademark of Brady Worldwide, Inc.

Microsoft, Windows, Excel, Access and SQL Server are registered trademarks of Microsoft Corporation.

All brand or product names referenced in this manual are trademarks (™) or registered trademarks (®) of their respective companies or organizations.

© 2022 Brady Worldwide, Inc. All Rights Reserved.

Y5067197

Revision A

Brady Worldwide, Inc.
6555 West Good Hope Road
Milwaukee, WI 53223
bradyid.com

Brady Warranty

Our products are sold with the understanding that the buyer will test them in actual use and determine for themselves the adaptability to their intended uses. Brady warrants to the buyer that its products are free from defects in material and workmanship, but limits its obligation under this warranty to replacement of the product shown to Brady's satisfaction to have been defective at the time Brady sold it. This warranty does not extend to any persons obtaining the product from the buyer.

THIS WARRANTY IS IN LIEU OF ANY OTHER WARRANTY, EXPRESS OR IMPLIED, INCLUDING, BUT NOT LIMITED TO, ANY IMPLIED WARRANTY OF MERCHANTABILITY OR FITNESS FOR A PARTICULAR PURPOSE, AND OF ANY OTHER OBLIGATIONS OR LIABILITY ON BRADY'S PART. UNDER NO CIRCUMSTANCES WILL BRADY BE LIABLE FOR ANY LOSS, DAMAGE, EXPENSE OR CONSEQUENTIAL DAMAGES OF ANY KIND ARISING IN CONNECTION WITH THE USE, OR INABILITY TO USE, BRADY'S PRODUCTS.

Safety and Environment

Please read and understand this manual before using the M211 printer for the first time. This manual describes all of the main functions of the M211 printer.

Technical Support and Registration

Contact Information

For repair or technical assistance, locate your regional Brady Technical Support office by going to:

- **United States:** bradyid.com/techsupport
- **Canada:** bradycanada.ca/contact-us
- **Mexico:** bradyid.com.mx/es-mx/contacto
- **Latin America:** bradylatinamerica.com/es-mx/soporte-técnico
- **Europe:** bradyeurope.com/services
- **Australia:** bradyid.com.au/technical-support
- **Asia Pacific:** brady.co.uk/landing-pages/global-landing-page

Registration Information

To register your printer go to:

- BradyID.com.au/register

Return

If for any reason you need to return the product, please contact Brady Technical Support for return information.

Document Conventions

When using this document, it is important that you understand the conventions used throughout the manual.

- All user actions are indicated by **Bold** text.
- References to menus, windows, buttons and screens are indicated by *Italicized* text.

Contents

1 • Introduction

System Specifications	1
Physical and Environmental Characteristics	2
Proximity Range for Bluetooth	2

2 • Setup

What's in the Box	3
Save the Packaging	3
Registration	4
Printer Components	4
Power and Battery	5
Power Adapter	5
Charging the Battery Before Initial Use	6
Charging the Printer	7
Power On	8
Automatic Shut Down	9
Hard Boot	9
Software for Creating Labels	9
Compatible Devices	9
Installing Software	9
Connecting the Printer	9
Disconnecting	10
Printer Settings	10
Shutdown	10
Printer Name	10
Loading Cartridges	10
Recycling the Cartridge	12
Materials	12
Dismantling the Cartridge	13
Recycling Components	15
Accessories	16
Magnet	17

3 • Getting Started

Controls and Status	19
Power	19
Cut	19
Bluetooth	19
Battery	20
Error	20
Creating Labels	20
Printing	20

4 • Maintenance

Cleaning the Printhead and Platen Roller	22
Cleaning the Sensor	23

5 • Troubleshooting

Troubleshooting Scenarios	24
Cutter does not cut or cuts poorly	25
Labels won't feed	25
Labels are jammed in the printer	25
Printer does not turn on	25
Printer turns off by itself	26
Print quality is poor	26
The first label printed has a black line on it	27
Nothing prints	27
Text positioned incorrectly on pre-sized labels	27
Battery doesn't fully charge in four hours	27
Printer not connecting to mobile device	27
Error Messages	28

A • Regulatory Compliance

Agency Compliance and Approvals	29
United States	29
<i>FCC Notice</i>	29
Canada	29
Mexico	29
Europe	30
<i>RoHS Directive 2011/65/EU, 2015/863/EU</i>	30
<i>Batteries Directive 2006/66/EC</i>	30
Turkey	30
China	31
Taiwan	31
Wireless Regulatory Information	31
United States	32
Canada	32
Mexico	32
European Union	33
International	33
Japan	33
China	33

B • Licensing

FreeRTOS	34
Newlib	34
CMSIS	35
Apache License	35
RapidJSON	38

1 Introduction

Print labels with the Brady Express Labels mobile app and the M211 label printer. The M211 printer includes the following features:

- Withstands a 6 ft. (1.8 m) drop.
- Crush resistant to 250 lbs (113.4 kg).
- Military-grade shock resistance.
- Uses M21 series print cartridges.
- Automatic label cutter.
- Bluetooth® Low Energy 5.0 enabled.
- Compact and lightweight at 1.2 lbs (0.5 kg).
- Prints 100 labels per day.
- Internal lithium ion battery.

System Specifications

The M211 printer has the following specifications:

- Weight 1.2 lbs (0.54 kg) (with label cartridge).
- Thermal transfer print mechanism, 203 dpi.
- Print width: 0.63" (16 mm) maximum.
- Print length for labels: 36" (914 mm) maximum.
- Liner width: 0.875" (22.2 mm) maximum.
- Label widths from 0.235" (6.4 mm) through 0.75" (19 mm).
- Minimum label height: 0.236" (5.99 mm).
- Prints up to 300 labels per battery charge.
- Print speed: up to 0.6 in/sec (15.2 mm/sec)
- Internal lithium ion battery, 1100 mAh

Physical and Environmental Characteristics

The M211 printer has the following physical and environmental characteristics:

Physical	U.S. Units	Metric Units
Dimensions	3.7" L x 5.4" W x 4" H	94 x 137 x 102 mm
Weight (with label supply and ribbon)	1.2 lbs	0.54 kg

Note: The table below refers to the M211 printer only. Consumable performance may vary.

Environmental	Operation	Storage
Temperature (Printer) Note: Prolonged exposure of the printer to direct sunlight is not recommended.	40° to 110° F (4° to 43° C) The AC adapter is rated at a maximum temperature of 104° F (40° C).	0° to 110° F (-18° to 43° C)
Relative Humidity (Printer)	20% to 90% (non-condensing)	10% to 90% (non-condensing)

Proximity Range for Bluetooth

The M211 printer should be within 65 ft (19.8 m) of the device to pick up the Bluetooth signal.

2 Setup

What's in the Box

The following items are included in the standard M211 package:

- M211 printer with internal battery. (Battery is not accessible. Contact Brady Technical Support for service.)
- AC adapter
- USB-C cable for use with power adapter
- USB C to A coupler
- Label cartridge M21-750-499
- Quick Start Guide



Save the Packaging

Save the packaging surrounding your M211 printer in case you have to ship the printer and accessories back to the supplier.



CAUTION! If shipping the printer, consult with your transportation carrier for state, federal, municipal, and international shipping regulations regarding the lithium ion battery contained in the printer.

Registration

Register your printer online at BradyID.com.au/register and receive free product support and updates!

Printer Components



1	Cartridge bay with cartridge	6	Error indicator
2	Label exit	7	Battery indicator
3	Eject button	8	Bluetooth indicator
4	USB charging port	9	Cut button
5	Lock lever	10	Power button and Bluetooth reset

Power and Battery

Power is supplied to the M211 printer from an internal lithium ion battery, or from an AC or USB power adapter.



WARNING! To prevent risk of fire, electrical shock, explosion, or damage, read below.

- Do not expose the printer to temperatures above 110°F (43°C).
- Do not disassemble, mistreat, or attempt to replace components in the printer.
- Do not incinerate the printer. Keep the printer away from heat sources.
- Keep the printer away from water.
- Never lay objects on top of the printer.
- Store the printer in a cool, dry place.
- The printer must be recycled or disposed of properly according to federal, state, and municipal regulations.

Power Adapter

The printer can be powered and charged through an AC/DC power adapter or by plugging into a USB port on a laptop or in a vehicle. When the adapter is plugged in, it is also charging the battery.

Note: For best results use the USB to AC wall adapter that came with the printer. This adapter provides at least 15 W. The printer will take longer to charge with an adapter that is less than 15 W. Also, charging from a USB type A port generally provides less than 15 W and thus may not charge as well.

For rapid charging, use the AC adapter to plug the printer into a wall outlet.

Catalog Number	Region
M211-AC	North America
M211-EU-UK-US-AC	Europe, Middle East, Africa
880346	Asia-Pacific



	North America
1	USB-C cable
2	USB C to A coupler
3	AC wall adapter with type A plug

	Europe, Middle East, Africa
1	USB-C cable
2	USB C to A coupler
3	AC wall adapter with type A plug
4	Type C plug
5	Type G plug

	Asia-Pacific, Australia
1	USB-C cable
2	USB C to A coupler
3	AC wall adapter with type A plug
4	Type C plug
5	Type G plug
6	Type I plug

Charging the Battery Before Initial Use

Fully charge the internal lithium ion battery before running the printer on battery.

1. Plug the printer into a power outlet. (For details see “Charging the Printer” on page 7.)
2. Charge for 2.5 hours. The battery light on the printer pulses green while charging and lights solid green when completely charged.



Charging the Printer

To plug the printer in to an electrical outlet:

1. Insert one end of the USB-C cable into the USB port on the printer.



2. Insert the other end of the USB-C cable into the USB-C port on the AC adapter.



3. Use the appropriate plug for your region.
 - **North America:** Plug the AC adapter into an electrical outlet.
 - **Europe, Middle East, and Africa:** Attach the type C or G plug to the AC adapter and then plug the adapter into an electrical outlet.
 - **Asia-Pacific:** Attach the type C, G, or I plug to the AC adapter and then plug the adapter into an electrical outlet.

To plug the printer in to a USB-A port:

1. Insert one end of the USB-C cable into the USB port on the printer.



2. Insert the other end of the USB-C cable into the USB C port on the USB C to A coupler.



3. Plug the USB coupler into a USB-A port on a computer or in a vehicle.

**Power On****To turn the printer on or off:**

1. Press the power button.



Automatic Shut Down

To conserve battery charge, the printer automatically turns off after a period of inactivity. Use the Express Labels mobile app to set the inactive time, see “*Shutdown*” on page 10.

Hard Boot

To force the printer to restart if it becomes unresponsive, hold the power button down for fifteen seconds. The battery and Bluetooth lights will come on when the printer has restarted.

Software for Creating Labels

Compatible Devices

The mobile device operating system must be one of the following:

- Android 6.0 or higher
- Apple iOS 10.0 or higher

The mobile device must support Bluetooth® 4.2 or higher.

Installing Software

Install the Brady Express Labels app on your mobile device, set up the connection to the printer, then use the software to design labels and send them to the printer.

Note: An SDK (software developer kit) is available if you wish to use other software with the M211 printer. For contact information see the [Brady software programming and integration website](#).

To get started:

1. Download the Brady Express Labels app from the Apple® App Store or the Google Play™ store.
2. Connect to the printer. See “*Connecting the Printer*” on page 9.
3. Configure settings. See “*Printer Settings*” on page 10.
4. Create labels and print.

Connecting the Printer

To connect the printer to a mobile device via Bluetooth:

1. Turn on the printer. See “*Power On*” on page 8. Bluetooth is automatically on when the printer is on.

2. Open the Express Labels app on your mobile device. The software detects the new printer. Change the printer name if desired and tap the control to connect the printer.



Disconnecting

If you need to disconnect a device, hold the power button on the printer for five seconds until the Bluetooth light begins blinking.

Printer Settings

All settings are configured in the Express Labels mobile app. Most settings (like language and measurement units) are software-wide and not specific to one printer model. The only settings that you may wish to change for the M211 printer are the shutdown time and the printer name. These settings are not retained on the printer. Another user connecting to the printer will start with the default settings.

Shutdown

In order to save power, the printer can shut down after a period of inactivity. The default setting is to shut down after 30 minutes of inactivity.

To set the inactive period, open a label file for the M211 printer and tap the gear icon for a list of properties.

Printer Name

The printer name is the printer model and serial number. You may wish to use a more descriptive name in the Express Labels app.

If you wish to change the printer name, open the list of printers in the Express Labels app and tap the more menu for an option to rename the printer.

Loading Cartridges

The M211 printer uses M-21 series cartridges which combine the ribbon and labels in one cartridge. Only use cartridges that have the Brady Authentic logo.

Brady cartridges come equipped with smart-cell technology that enables the printer and Brady labeling software to recognize the type of label and automatically set many label formatting details.



To load cartridges:

1. Turn the locking lever counterclockwise to unlock the cartridge. Cartridges can be loaded with the power on or off.



Locked



Unlocked

2. Push the eject button on the back of the printer.



3. Lift the cartridge out of the printer.



4. Place a new cartridge in the bay and push down until the cartridge snaps into place.

5. Turn the locking lever clockwise to lock the cartridge.



If the cartridge is empty, recycle according to local regulations. (See “Recycling the Cartridge” on page 12 for more information on recycling cartridges.)

Store the cartridge in a cool, dry place.



WARNING! Please note that the cartridge bay contains parts and assemblies that may be susceptible to damage by Electrostatic Discharge (ESD). When loading or unloading a cartridge, care must be taken so that devices are not damaged.

Recycling the Cartridge

Cartridges need to be recycled in accordance with local regulations. Before recycling, the used cartridges must be pulled apart to release the individual components. These various components must then be recycled in the correct recycling bins.

Materials

- 1/4-inch blade flathead screwdriver
- Safety Glasses
- Safety Gloves

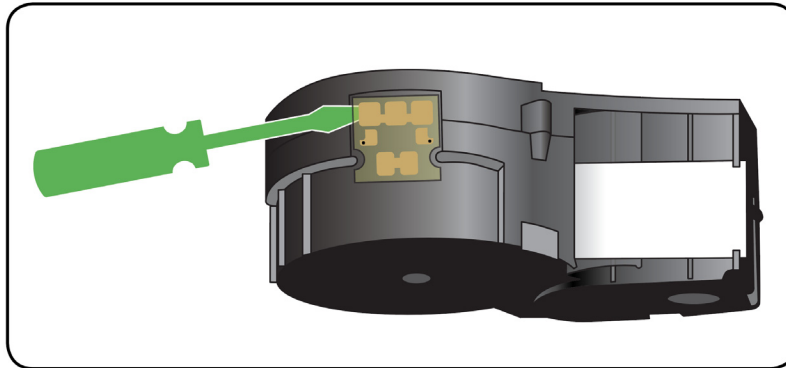


CAUTION! Always wear personal protective equipment when dismantling a ribbon or label cartridge.

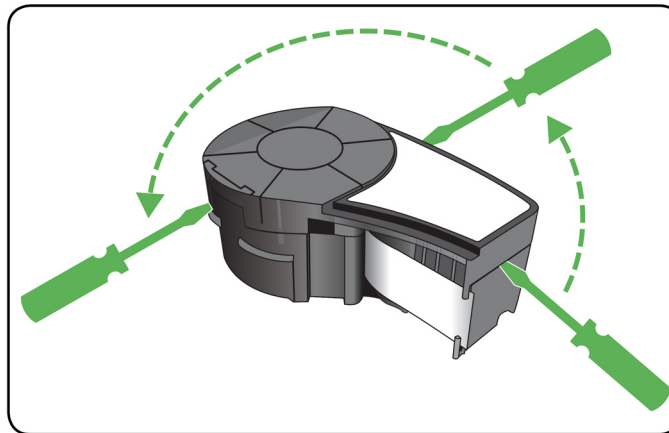
Dismantling the Cartridge

To dismantle the cartridge:

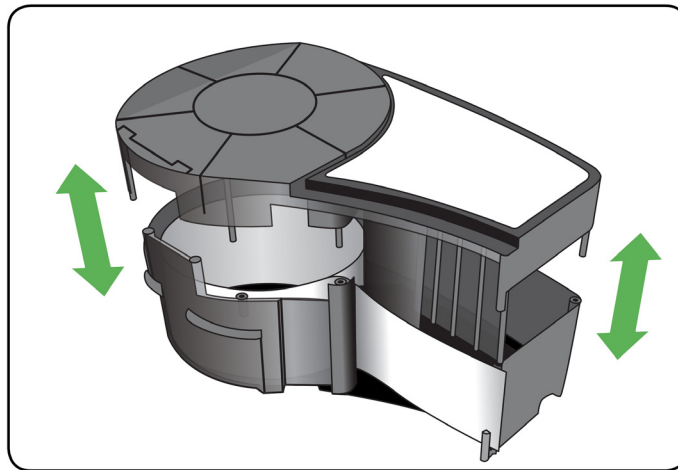
1. Using the flathead screwdriver, pry off the smart cell on the bottom of the cartridge by placing the screwdriver blade under a corner of the smart cell and lifting up.
The chip is glued on and should release fairly easy.



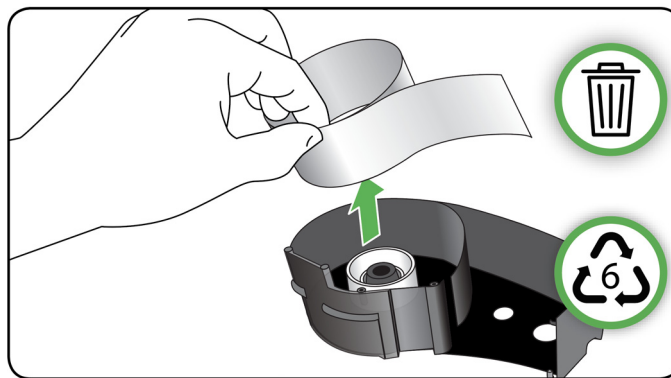
2. Starting at the narrow end of the cartridge, insert the flathead screwdriver into the seam of the cartridge, then twist the screwdriver slightly to loosen the two outside pieces of housing. Repeat at various points around the seam.



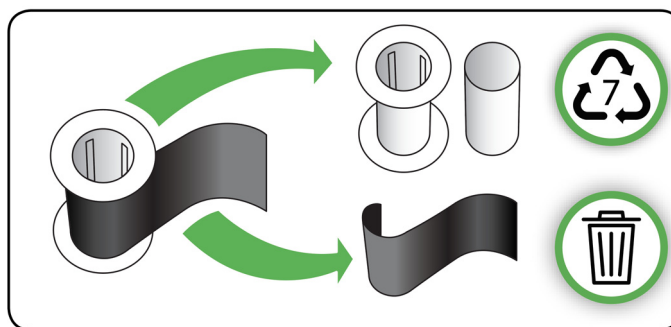
3. Separate the top of the housing from the base.



4. Pull up on any unused media (labels) to remove it from the cartridge housing.



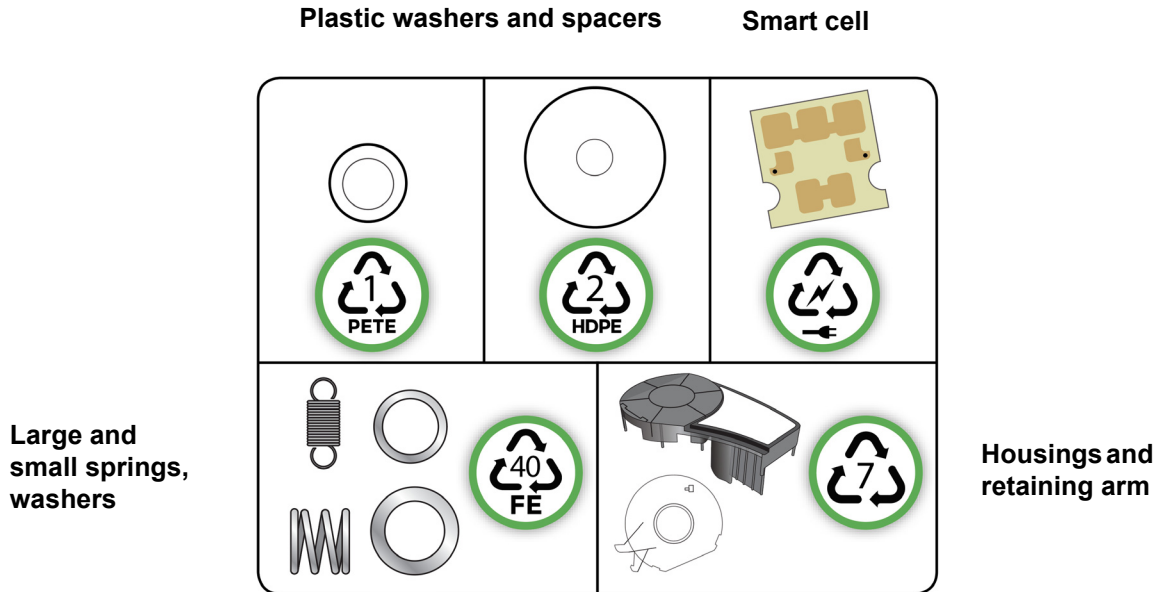
5. Turn the base of the cartridge upside down and shake gently. Most of the components will fall out of the cartridge. If not, unhook and pull the components away from the housing.



6. Unwind and detach the ribbon from its spools.

Recycling Components

These components should be removed from the cartridge and recycled according to the following guidelines.



Component	Material	Recycle Bin
Housings and retaining arm	Polycarbonate (PC)	#7 Plastics
Large and small springs, washers	Metals	#40 Metals
Smart cell	Electronic	Electronic waste
Plastic washers and spacers	Mylar	#1 PETE

Accessories

The following accessories are available for the M211 printer and can be purchased separately from your distributor:



Magnet (170425)



Belt clip (170385)



Multi-Tool (170424)



Soft-sided carrying case (150617)



Hard-sided carrying case (170386)



Power Brick (170387)



AC adapter set for North America (M211-AC)*



AC adapter set for Europe, the Middle East, and Africa (M211-EU-UK-US-AC)*



AC adapter set for Asia-Pacific and Australia (880346)*

*The appropriate adapter set for your region comes with the printer, but you can purchase adapter sets for other regions.

Magnet

Use the magnet accessory, purchased separately, to attach the printer to magnet-receptive metal surfaces such as panels and I-beams.



WARNING! The magnet accessory contains a neodymium magnet.

- Strong magnets may interfere with proper operation of heart pacemaker, defibrillator, insulin pump, or other medical devices. Keep magnets a sufficient distance from anyone wearing these devices.
- Do not use magnets in explosive atmospheres.



- Do not give children strong magnets (especially neodymium). Keep this product out of the reach of children.
- Many magnets are brittle and may shatter if they “jump” together or jump onto a steel surface. Always wear eye protection if this is likely to happen.
- Analog watches, televisions, and computer monitors can be permanently damaged by placing magnets near them.
- Strong magnets may affect or interfere with sensitive electronic instruments and navigation equipment. Always keep magnets a sufficient distance from such devices.
- Magnets can destroy information stored on magnetic media such as credit cards, tape drives, and computer hard drives. To preserve your data, keep these and other magnetic media away from the product.

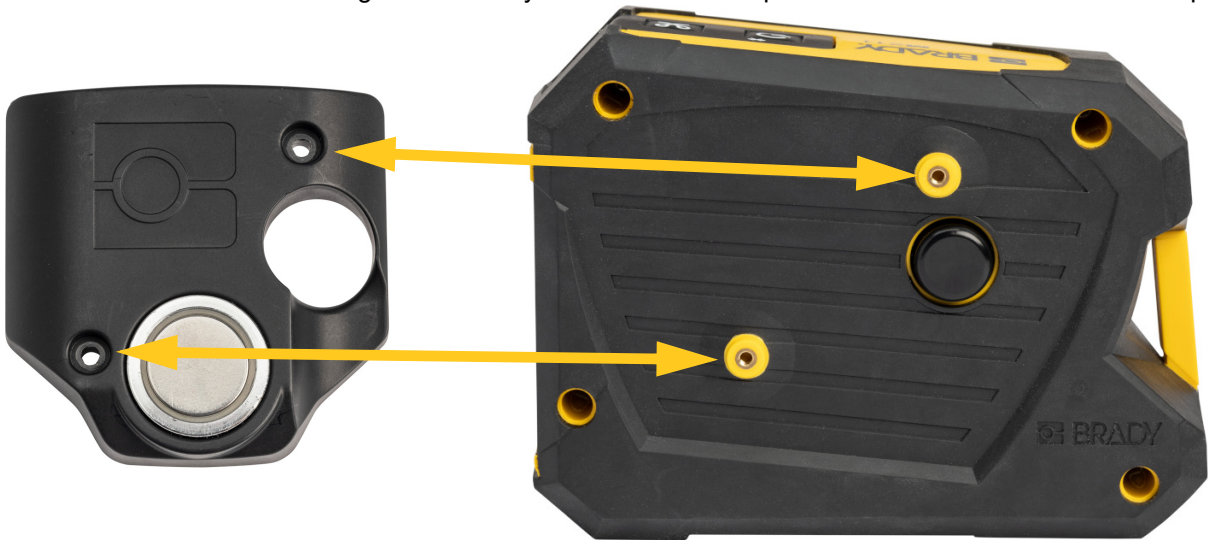
Dispose in accordance with federal, state, and local regulations.

To attach the magnet accessory to the printer:

1. Slide the magnet keeper plate off of the magnet.



2. Position the magnet accessory on the back of the printer so that the screw holes line up.



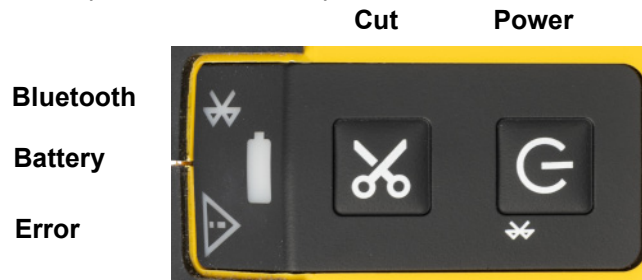
3. Screw in the two screws that come with the magnet to affix it to the printer.



3 Getting Started

Controls and Status

A panel on top of the printer contains the power and cut buttons and three status lights.



Additional status information, such as remaining material in the cartridge, can be found in the Brady Express Labels app.

Power

The power button can turn the printer on, reboot, or disconnect from a device depending on how long you hold it.

- Tap: Turns the printer on or off.
- 5 seconds: Resets the Bluetooth allowing a new mobile device to connect.
- 15 seconds: Reboots the printer.

Cut

Cutting occurs automatically depending on the cut setting in the label file. To manually cut, press the cut button on the printer.

Bluetooth

The Bluetooth status light has the following meanings:

- Pulsing light: The printer is broadcasting a Bluetooth signal for pairing.
- Solid light: The printer is paired with a mobile device.

Only one mobile device can be connected at a time.

To disconnect from a device, hold the power button on the printer for five seconds. The Bluetooth light pulses to indicate that the printer is looking for a device to connect to.

Battery

The battery status light has the following meanings:

- Pulsing green: Charging
- Green: 51-100% charge remaining, or charging completed
- Orange: 21-50% charge remaining
- Red: 11-20% charge remaining
- Flashing red: Less than 10% charge remaining

Error

The error light has the following meanings:

- Flashing orange: There is a critical error that prevents printing. Open the Express Labels app on the connected device to see the specific error message. For help correcting the error, see *“Error Messages” on page 28*.
- Solid orange: A non-critical error has occurred. You may dismiss the message in the Express Labels app and continue printing.

Creating Labels

Create label files using the Brady Express Labels app. When you first create a label file, you specify the printer. This allows the software to provide features specific to your printer. Also, the software automatically detects the cartridge installed in the printer. See *“Software for Creating Labels” on page 9*.

Printing

Before printing, you must use a software program to create labels. See *“Software for Creating Labels” on page 9*.

To print labels:

1. Make sure the printer is on and the cartridge is locked.
2. On the mobile device, open the label file.
3. Tap the print button in the software.

The software sends the labels to the printer.

If a print job is interrupted, for instance when the cartridge runs out, the system automatically stops the print job and lights the error indicator. The Express Labels app displays a message indicating that the cartridge has run out.

IMPORTANT! When not using the printer, be sure to unlock the cartridge. If the cartridge is left

locked when the printer is not in use, the printhead remains pressed against the platen roller. Residual heat in the printhead can cause ink to transfer to the next label.

For troubleshooting information, see Chapter 5: **Troubleshooting** beginning on page 24.

4 Maintenance

Cleaning the printer improves print quality and legibility. It also increases output, machine life, printer reliability, and performance.

Cleaning the Printhead and Platen Roller

To clean the printhead and platen roller:

1. Press the power button on top of the printer to turn it off.



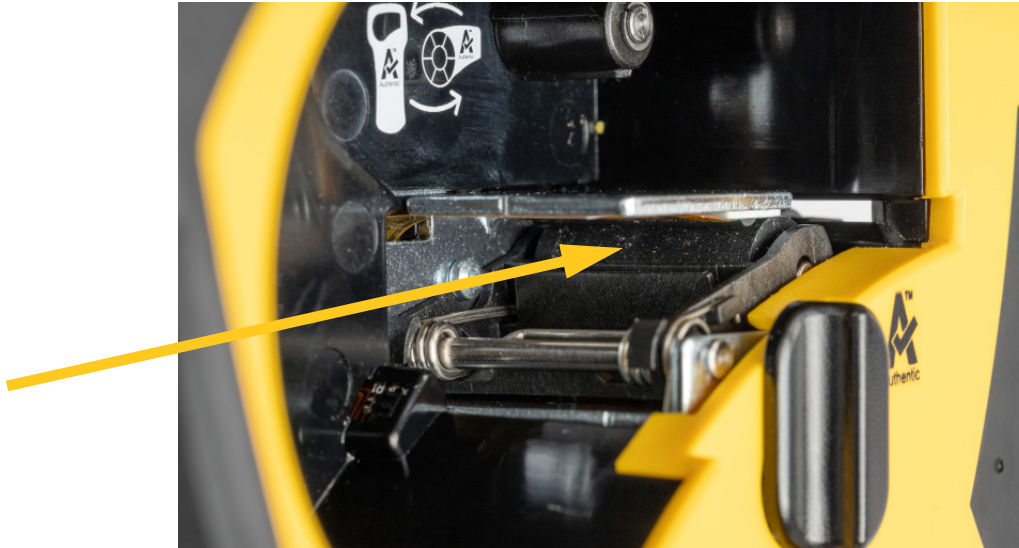
2. Remove the cartridge. See “Loading Cartridges” on page 10.

Note: Make sure the locking lever is in the unlocked (horizontal) position. If not, you will not be able to access the printhead.

3. Lightly moisten a lint-free swab with isopropyl alcohol or use pre-moistened cleaning swabs (PCK-6). We recommend using Brady part number PCK-6 pre-moistened swabs because they are lint free and the isopropyl alcohol contains no additives.
4. Gently swab the printhead.




- Using a clean moistened swab, gently brush the platen roller. You may need to move the locking lever to the locked position to access the platen roller.

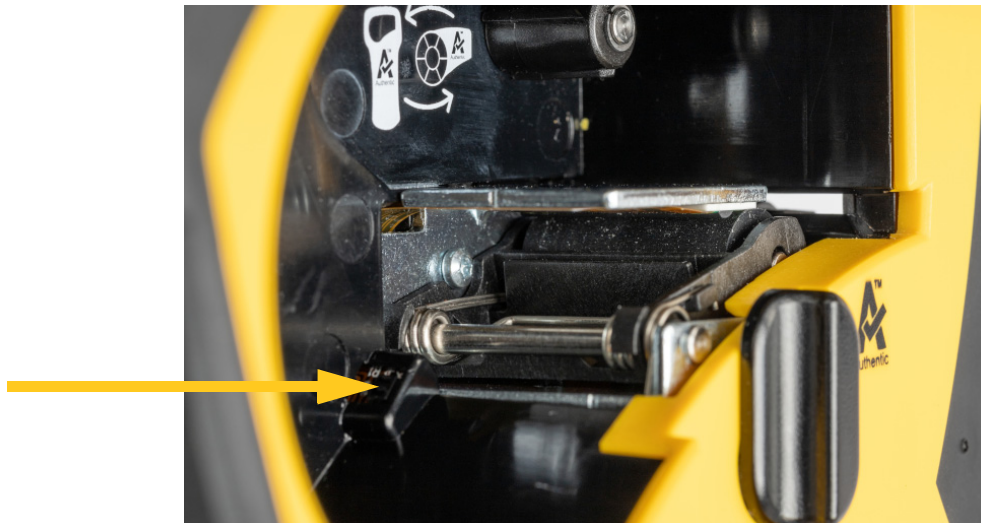


Cleaning the Sensor

Debris on the sensor can cause print to be offset on pre-sized labels.

To clean the position sensor:

- Press the power button on top of the printer to turn it off. 
- Remove the cartridge. See *“Loading Cartridges” on page 10.*
- Clean debris off the sensor either with a can of compressed air or a lint-free swab.



5 Troubleshooting

The following sections provide information to help troubleshoot issues with the printer.

- The “*Troubleshooting Scenarios*” section below contains a list of possible issues you may encounter with information about the cause and solutions.
- “*Error Messages*” on page 28 provides a list of error messages with cross references to related information in this manual. Error messages appear in the Brady Express Labels app rather than on the printer.

Troubleshooting Scenarios

If you encounter a problem while using the M211 printer, see the following sections for help troubleshooting the issue.

- Cutter does not cut or cuts poorly 25
- Labels won't feed 25
- Labels are jammed in the printer 25
- Printer does not turn on 25
- Printer turns off by itself 26
- Print quality is poor 26
- The first label printed has a black line on it. 27
- Nothing prints 27
- Text positioned incorrectly on pre-sized labels. 27
- Battery doesn't fully charge in four hours 27
- Printer not connecting to mobile device 27

Cutter does not cut or cuts poorly

Problem: Labels print, but are not cut, or the cuts are rough and torn.

Solutions:

- Label fragments may be stuck in the cutter. Remove the cartridge. Use a small tool such as tweezers or needle-nose pliers to carefully remove any fragments visible within the cartridge bay. Use caution not to damage any of the components in the cartridge bay. If you have concerns, please contact technical support for further assistance.



WARNING! Never attempt to remove fragments with your fingers. The cutter assembly includes very sharp components that can cause injury.

- Make sure the software is set to cut as desired (between labels or at the end of the job).

Labels won't feed

Problem: Labels won't advance out of the printer.

Solution: The leading edge of the label roll may be uneven or torn. Use a pair of scissors to cut a straight leading edge on the labels.

Labels are jammed in the printer

Problem: Labels are jammed in the printer.

Solution: Clear the jam.

1. Rotate the locking lever to unlock it. Unlocking retracts the platen so the cartridge can be removed. If the jam is large, you may have to force the locking lever to the unlocked position.
2. Remove the cartridge.
3. Use tweezers or a needle-nose pliers to carefully remove the jammed label and any fragments visible within the cartridge bay.



WARNING! Using metal objects to remove jams can scratch, dent, or crack the printhead. Use caution to avoid damaging the printhead.

Printer does not turn on

Problem: Nothing happens when I press the power button.

Solutions:

- The battery may need to charge. Plug the printer into a USB port using the USB cable that came with the printer. For more information, see *“Power and Battery” on page 5*.
- If the battery is charged and the printer still does not turn on, press and hold the power button for fifteen seconds to reboot the printer.

Printer turns off by itself

Problem: The printer frequently turns itself off.

Solutions:

- The battery may be low. Plug the printer into a USB port or wall outlet. For more information, see *“Power and Battery” on page 5.*
- The printer may be set to shut off automatically after too short a time.

Print quality is poor

Problem: Print is too light, fuzzy, grainy, compressed, offset, or has blank spots or lines.

Solutions:

- The ribbon may be wrinkled. Remove the cartridge from the printer and advance the ribbon by rotating the take-up spool clockwise until the wrinkled ribbon is no longer visible. Reinstall the cartridge and reprint the label.



When reinserting the cartridge, be careful that the ribbon does not get caught on the metal at the bottom of the cartridge bay.



- Dust or adhesives may have accumulated on the printhead. Clean the printhead. See *“Cleaning the Printhead and Platen Roller” on page 22.*
- The media may not be usable. Install a different cartridge.

- The label supply may have a crease in it. Use the Express Labels app to feed the label supply past the crease and then reprint the label.
- If the print is compressed or offset, the platen roller may be dirty. Clean the platen roller. See *“Cleaning the Printhead and Platen Roller” on page 22.*

The first label printed has a black line on it

Problem: After being unused, the printer makes a black line on the first label printed.

Solution: If the cartridge is left locked when the printer is not in use, the printhead remains pressed against the platen roller. Residual heat in the printhead causes ink to transfer to the label. Reprint the label, and unlock the cartridge when the printer is not in use.

Nothing prints

Problem: I sent a file to the printer, but it didn't print.

Solutions:

- Make sure the cartridge lock lever is locked. See *“Loading Cartridges” on page 10.*
- Check the cartridge for damage and replace it if it is damaged.
- Check for jammed labels. See *“Labels are jammed in the printer” on page 25.*
- Reboot the printer. Press and hold the power button for 15 seconds.

Text positioned incorrectly on pre-sized labels

Problem: Text on pre-sized labels is not positioned correctly.

Solution: There may be debris on the position sensor. Remove the cartridge and blow debris off the sensor using a can of compressed air. See *“Cleaning the Sensor” on page 23.*

Battery doesn't fully charge in four hours

Problem: The printer has been plugged in for four hours and is not yet charged.

Solution: If you had printed until the battery was completely discharged, and then the printer was unused for a long time (about four weeks or longer), the battery may take six to eight hours to recondition and fully charge.

Printer not connecting to mobile device

Problem: The printer does not appear in my Express Labels app.

Solution: The printer may already be connected to another mobile device. Hold the power button on the printer for five seconds until the Bluetooth light starts blinking. This releases the printer so that you can connect to it.

Error Messages

When the error light on the printer is lit, refer to the Brady Express Labels app to see the error message. Most error messages provide some instruction to resolve the issue. Use the table below to find additional information included in this manual.

Error Message	Related Information
The cutter is jammed	Follow the instructions in the error message. Also see <i>"Labels are jammed in the printer"</i> on page 25.
The supply cartridge is not loaded correctly, missing, or not a Brady Authentic cartridge.	<i>"Loading Cartridges"</i> on page 10
The supply cartridge is empty.	<i>"Loading Cartridges"</i> on page 10
Battery power is too low to print.	<i>"Power Adapter"</i> on page 5
The printer battery is getting low.	<i>"Power Adapter"</i> on page 5
An error occurred while printing.	<i>"Troubleshooting Scenarios"</i> on page 24

A Regulatory Compliance

Agency Compliance and Approvals

United States

FCC Notice

Note: This equipment has been tested and found to comply with the limits for a Class A digital device, pursuant to part 15 of the FCC Rules. These limits are designed to provide reasonable protection against harmful interference when the equipment is operated in a commercial environment. This equipment generates, uses, and can radiate radio frequency energy and, if not installed and used in accordance with the instruction manual, may cause harmful interference to radio communications.

Operation of this equipment in a residential area is likely to cause harmful interference in which case the user will be required to correct the interference at his own expense.

Changes or modifications not expressly approved by the party responsible for compliance could void the user's authority to operate the equipment.

This device complies with Part 15 of the FCC Rules. Operation is subject to the following two conditions: (1) This device may not cause harmful interference and, (2) this device must accept any interference received, including interference that may cause undesired operation.

Canada

Innovation, Science and Economic Development (ISED)

Canada ICES-003:

CAN ICES-3 (A)/NMB-3(A)

Mexico

IFT notice: La operación de este equipo está sujeta a las siguientes dos condiciones: (1) es posible que este equipo o dispositivo no cause interferencia perjudicial y (2) este equipo o dispositivo debe aceptar cualquier interferencia, incluyendo la que pueda causar su operación no deseada.

Europe



WARNING! This is a Class A product. In a domestic environment, this product may cause radio interference in which case the user may be required to take adequate measures.



Waste Electrical and Electronic Equipment Directive

In accordance with the European WEEE Directive, this device needs to be recycled in accordance with local regulations.

RoHS Directive 2011/65/EU, 2015/863/EU

This product is CE marked and complies with the European Union's Directive 2011/65/EU OF THE EUROPEAN PARLIAMENT AND OF THE COUNCIL of 8 June 2011 on the restriction of the use of certain hazardous substances in electrical and electronic equipment.

EU Directive 2015/863 of 31 March 2015 (RoHS 3) amends Annex II to Directive 2011/65/EU of the European Parliament and of the Council as regards the list of restricted substances.

Batteries Directive 2006/66/EC



This product contains a lithium ion rechargeable battery pack. The crossed-out wheeled bin shown to the left is used to indicate 'separate collection' for all batteries and accumulators in accordance with European Directive 2006/66/EC. Users of batteries must not dispose of batteries as unsorted municipal waste. This Directive determines the framework for the return and recycling of used batteries and accumulators that are to be collected separately and recycled at end of life. Please dispose of the battery according to your local regulations.

Notice to Recyclers

To remove the lithium ion battery pack:

1. Remove the back housing and locate the lithium ion battery pack.
2. Cut the red lead.
3. Cover the cut end (battery side of cut) with electrical tape.
4. Cut the remaining yellow and black leads in any order.
5. Dispose of in accordance with local regulations.

Turkey

Turkish Ministry of Environment and Forestry

(Directive on the Restriction of the use of certain hazardous substances in electrical and electronic equipment).

Türkiye Cumhuriyeti: EEE Yönetmeliğine Uygundur

China

China RoHS Hazardous Substance Table related to this product is available at www.bradyid.com/M211compliance.

警告

此为 A 级产品。在生活环境中，该产品可能会造成无线电干扰。在这种情况下，可能需要用户对于干扰采取切实可行的措施。

仅适用于非热带气候条件下安全使用

Taiwan

Class A Statement

警告使用者

這是甲類的資訊產品，在居住的環境中使用時，可能會造成射頻干擾，在這種情況下，使用者會被要求採取某些適當的對策。

Taiwan Restricted Substances Containment Status (RoHS Declaration) related to this product is available at www.BradyID.com/i5300compliance.

Wireless Regulatory Information

Regulatory markings, subject to country certification, are applied to host printer signifying Bluetooth (radio) approvals have been obtained.



WARNING! Operation of the device without regulatory approval is illegal.

Radio protocol	Bluetooth Low Energy
RF Operating Frequency	2.402 – 2.480 GHz
RF Output Power	< +20dBm EIRP (100mW)
Antenna Type \ Antenna Gain	PCB trace antenna \ -3.06 dBi
Environmental Operation	-40 to 85° C (-40° to 185° F) Note: Be mindful of the maximum operating temperatures for the printer. See “Physical and Environmental Characteristics” on page 2.
Environmental Storage	-55 to 125° C (-67° to 257° F) Note: Be mindful of the maximum storage temperatures for the printer. See “Physical and Environmental Characteristics” on page 2.

United States

Note: This equipment has been tested and found to comply with the limits for a Class A digital device, pursuant to part 15 of the FCC Rules. These limits are designed to provide reasonable protection against harmful interference when the equipment is operated in a commercial environment. This equipment generates, uses, and can radiate radio frequency energy and, if not installed and used in accordance with the instruction manual, may cause harmful interference to radio communications.

Operation of this equipment in a residential area is likely to cause harmful interference in which case the user will be required to correct the interference at own expense.

Changes or modifications not expressly approved by the party responsible for compliance could void the user's authority to operate the equipment.

This device complies with Part 15 of the FCC Rules. Operation is subject to the following two conditions: (1) This device may not cause harmful interference and, (2) this device must accept any interference received, including interference that may cause undesired operation.

Co-located statements: To comply with FCC RF exposure compliance requirement, the antenna used for this transmitter must not be co-located or operating in conjunction with any other transmitter/antenna except those already with radio module filing.

RF exposure guidelines: The radiated output power of this device is far below the radio frequency exposure limits. Nevertheless, to avoid the possibility of exceeding radio frequency exposure limits for an uncontrolled environment, a minimum 20cm distance should be maintained from Bluetooth radio module PCB antenna (internal) to the head, neck, or body during normal operation.

Canada

Innovation, Science and Economic Development (ISED)

CAN ICES-3 (A)/NMB-3(A)

This device complies with Industry Canada's license-exempt RSSs. Operation is subject to the following two conditions:

1. This device may not cause interference; and
2. This device must accept any interference, including interference that may cause undesired operation of the device.

Co-located statements: To comply with FCC RF exposure compliance requirement, the antenna used for this transmitter must not be co-located or operating in conjunction with any other transmitter/antenna except those already with radio module filing.

RF exposure guidelines / Important note: This equipment complies with IC radiation exposure limits set forth for an uncontrolled environment. This equipment should be installed and operated with minimum distance 20cm between the radiator and your body.

Mexico

IFT notice:

"La operación de este equipo está sujeta a las siguientes dos condiciones: (1) es posible que este equipo o dispositivo no cause interferencia perjudicial y (2) este equipo o dispositivo debe aceptar cualquier interferencia, incluyendo la que pueda causar su operación no deseada."

European Union

This is a Class A product. In a domestic environment, this product may cause radio interference in which case the user may be required to take adequate measures.

Radio Equipment Directive (RED) 2014/53/EC

- a. Frequency band(s) in which the radio equipment operates; 2.401GHz to 2.483GHz
- b. Maximum radio-frequency power transmitted in the frequency band(s) in which the radio equipment operates; < +20dBm EIRP (100mW)

International

The Bluetooth radio module used in Brady host printers comply with internationally recognized standards covering human exposure to electromagnetic fields, i.e. EN 62311 "Assessment of electronic and electrical equipment related to human exposure restrictions for electromagnetic fields (0 Hz - 300 GHz)".

Japan

MIC \ TELEC: 005-102490

当該機器には電波法に基づく、技術基準適合証明等を受けた特定無線設備を装着している。

China

MIC \ TELEC:

B Licensing

FreeRTOS

Permission is hereby granted, free of charge, to any person obtaining a copy of this software and associated documentation files (the "Software"), to deal in the Software without restriction, including without limitation the rights to use, copy, modify, merge, publish, distribute, sublicense, and/or sell copies of the Software, and to permit persons to whom the Software is furnished to do so, subject to the following conditions: The above copyright notice and this permission notice shall be included in all copies or substantial portions of the Software. THE SOFTWARE IS PROVIDED "AS IS", WITHOUT WARRANTY OF ANY KIND, EXPRESS OR IMPLIED, INCLUDING BUT NOT LIMITED TO THE WARRANTIES OF MERCHANTABILITY, FITNESS FOR A PARTICULAR PURPOSE AND NONINFRINGEMENT. IN NO EVENT SHALL THE AUTHORS OR COPYRIGHT HOLDERS BE LIABLE FOR ANY CLAIM, DAMAGES OR OTHER LIABILITY, WHETHER IN AN ACTION OF CONTRACT, TORT OR OTHERWISE, ARISING FROM, OUT OF OR IN CONNECTION WITH THE SOFTWARE OR THE USE OR OTHER DEALINGS IN THE SOFTWARE.

Newlib

© Dave Nadler 2017-2020, All Rights Reserved.

Web: <http://www.nadler.com>

email: drn@nadler.com

Redistribution and use in source and binary forms, with or without modification, are permitted provided that the following conditions are met:

- Use or redistributions of source code must retain the above copyright notice, this list of conditions, and the following disclaimer.
- Use or redistributions of source code must retain ALL ORIGINAL COMMENTS, AND ANY CHANGES MUST BE DOCUMENTED, INCLUDING:
 - Reason for change (purpose)
 - Functional change
 - Date and author contact
- - Redistributions in binary form must reproduce the above copyright notice, this list of conditions and the following disclaimer in the documentation and/or other materials provided with the distribution.

THIS SOFTWARE IS PROVIDED BY THE COPYRIGHT HOLDERS AND CONTRIBUTORS "AS IS" AND ANY EXPRESS OR IMPLIED WARRANTIES, INCLUDING, BUT NOT LIMITED TO, THE IMPLIED WARRANTIES OF MERCHANTABILITY AND FITNESS FOR A PARTICULAR PURPOSE ARE DISCLAIMED. IN NO EVENT SHALL THE COPYRIGHT HOLDER OR CONTRIBUTORS BE

LIABLE FOR ANY DIRECT, INDIRECT, INCIDENTAL, SPECIAL, EXEMPLARY, OR CONSEQUENTIAL DAMAGES (INCLUDING, BUT NOT LIMITED TO, PROCUREMENT OF SUBSTITUTE GOODS OR SERVICES; LOSS OF USE, DATA, OR PROFITS; OR BUSINESS INTERRUPTION) HOWEVER CAUSED AND ON ANY THEORY OF LIABILITY, WHETHER IN CONTRACT, STRICT LIABILITY, OR TORT (INCLUDING NEGLIGENCE OR OTHERWISE) ARISING IN ANY WAY OUT OF THE USE OF THIS SOFTWARE, EVEN IF ADVISED OF THE POSSIBILITY OF SUCH DAMAGE.

CMSIS

Copyright © 2022 ARM Limited. All rights reserved.

Licensed under the Apache License, Version 2.0 (the "License"); you may not use this file except in compliance with the License.

Unless required by applicable law or agreed to in writing, software distributed under the License is distributed on an "AS IS" BASIS, WITHOUT WARRANTIES OR CONDITIONS OF ANY KIND, either express or implied. See the License for the specific language governing permissions and limitations under the License.

Apache License

Version 2.0, January 2004

<http://www.apache.org/licenses/>

TERMS AND CONDITIONS FOR USE, REPRODUCTION, AND DISTRIBUTION

1. Definitions.

"License" shall mean the terms and conditions for use, reproduction, and distribution as defined by Sections 1 through 9 of this document.

"Licensor" shall mean the copyright owner or entity authorized by the copyright owner that is granting the License.

"Legal Entity" shall mean the union of the acting entity and all other entities that control, are controlled by, or are under common control with that entity. For the purposes of this definition, "control" means (i) the power, direct or indirect, to cause the direction or management of such entity, whether by contract or otherwise, or (ii) ownership of fifty percent (50%) or more of the outstanding shares, or (iii) beneficial ownership of such entity. "You" (or "Your") shall mean an individual or Legal Entity exercising permissions granted by this License.

"Source" form shall mean the preferred form for making modifications, including but not limited to software source code, documentation source, and configuration files.

"Object" form shall mean any form resulting from mechanical transformation or translation of a Source form, including but not limited to compiled object code, generated documentation, and conversions to other media types.

"Work" shall mean the work of authorship, whether in Source or Object form, made available under the License, as indicated by a copyright notice that is included in or attached to the work (an example is provided in the Appendix below).

"Derivative Works" shall mean any work, whether in Source or Object form, that is based on (or derived from) the Work and for which the editorial revisions, annotations, elaborations, or other modifications represent, as a whole, an original work of authorship. For the purposes of this License, Derivative Works shall not include works that remain separable from, or merely link (or bind by name) to the interfaces of, the Work and Derivative Works thereof.

"Contribution" shall mean any work of authorship, including the original version of the Work and any modifications or additions to that Work or Derivative Works thereof, that is intentionally submitted to Licensor for inclusion in the Work by the copyright owner or by an individual or Legal Entity authorized to submit on behalf of the copyright owner. For the purposes of this definition, "submitted" means any form of electronic, verbal, or written communication sent to the Licensor or its representatives, including but not limited to communication on electronic mailing lists, source code control systems, and issue tracking systems that are managed by, or on behalf of, the Licensor for the purpose of discussing and improving the Work, but excluding communication that is conspicuously marked or otherwise designated in writing by the copyright owner as "Not a Contribution."

"Contributor" shall mean Licensor and any individual or Legal Entity on behalf of whom a Contribution has been received by Licensor and subsequently incorporated within the Work.

2. **Grant of Copyright License.** Subject to the terms and conditions of this License, each Contributor hereby grants to You a perpetual, worldwide, non-exclusive, no-charge, royalty-free, irrevocable copyright license to reproduce, prepare Derivative Works of, publicly display, publicly perform, sublicense, and distribute the Work and such Derivative Works in Source or Object form.
3. **Grant of Patent License.** Subject to the terms and conditions of this License, each Contributor hereby grants to You a perpetual, worldwide, non-exclusive, no-charge, royalty-free, irrevocable (except as stated in this section) patent license to make, have made, use, offer to sell, sell, import, and otherwise transfer the Work, where such license applies only to those patent claims licensable by such Contributor that are necessarily infringed by their Contribution(s) alone or by combination of their Contribution(s) with the Work to which such Contribution(s) was submitted. If You institute patent litigation against any entity (including a cross-claim or counterclaim in a lawsuit) alleging that the Work or a Contribution incorporated within the Work constitutes direct or contributory patent infringement, then any patent licenses granted to You under this License for that Work shall terminate as of the date such litigation is filed.
4. **Redistribution.** You may reproduce and distribute copies of the Work or Derivative Works thereof in any medium, with or without modifications, and in Source or Object form, provided that You meet the following conditions:
 - (a) You must give any other recipients of the Work or Derivative Works a copy of this License; and
 - (b) You must cause any modified files to carry prominent notices stating that You changed the files; and
 - (c) You must retain, in the Source form of any Derivative Works that You distribute, all copyright, patent, trademark, and attribution notices from the Source form of the Work, excluding those notices that do not pertain to any part of the Derivative Works; and
 - (d) If the Work includes a "NOTICE" text file as part of its distribution, then any Derivative Works that You distribute must include a readable copy of the attribution notices contained within such NOTICE file, excluding those notices that do not pertain to any part of the Derivative Works, in at least one of the following places: within a NOTICE text file

distributed as part of the Derivative Works; within the Source form or documentation, if provided along with the Derivative Works; or, within a display generated by the Derivative Works, if and wherever such third-party notices normally appear. The contents of the NOTICE file are for informational purposes only and do not modify the License. You may add Your own attribution notices within Derivative Works that You distribute, alongside or as an addendum to the NOTICE text from the Work, provided that such additional attribution notices cannot be construed as modifying the License.

You may add Your own copyright statement to Your modifications and may provide additional or different license terms and conditions for use, reproduction, or distribution of Your modifications, or for any such Derivative Works as a whole, provided Your use, reproduction, and distribution of the Work otherwise complies with the conditions stated in this License.

5. **Submission of Contributions.** Unless You explicitly state otherwise, any Contribution intentionally submitted for inclusion in the Work by You to the Licensor shall be under the terms and conditions of this License, without any additional terms or conditions. Notwithstanding the above, nothing herein shall supersede or modify the terms of any separate license agreement you may have executed with Licensor regarding such Contributions.
6. **Trademarks.** This License does not grant permission to use the trade names, trademarks, service marks, or product names of the Licensor, except as required for reasonable and customary use in describing the origin of the Work and reproducing the content of the NOTICE file.
7. **Disclaimer of Warranty.** Unless required by applicable law or agreed to in writing, Licensor provides the Work (and each Contributor provides its Contributions) on an "AS IS" BASIS, WITHOUT WARRANTIES OR CONDITIONS OF ANY KIND, either express or implied, including, without limitation, any warranties or conditions of TITLE, NON-INFRINGEMENT, MERCHANTABILITY, or FITNESS FOR A PARTICULAR PURPOSE. You are solely responsible for determining the appropriateness of using or redistributing the Work and assume any risks associated with Your exercise of permissions under this License.
8. **Limitation of Liability.** In no event and under no legal theory, whether in tort (including negligence), contract, or otherwise, unless required by applicable law (such as deliberate and grossly negligent acts) or agreed to in writing, shall any Contributor be liable to You for damages, including any direct, indirect, special, incidental, or consequential damages of any character arising as a result of this License or out of the use or inability to use the Work (including but not limited to damages for loss of goodwill, work stoppage, computer failure or malfunction, or any and all other commercial damages or losses), even if such Contributor has been advised of the possibility of such damages.
9. **Accepting Warranty or Additional Liability.** While redistributing the Work or Derivative Works thereof, You may choose to offer, and charge a fee for, acceptance of support, warranty, indemnity, or other liability obligations and/or rights consistent with this License. However, in accepting such obligations, You may act only on Your own behalf and on Your sole responsibility, not on behalf of any other Contributor, and only if You agree to indemnify, defend, and hold each Contributor harmless for any liability incurred by, or claims asserted against, such Contributor by reason of your accepting any such warranty or additional liability.

END OF TERMS AND CONDITIONS

RapidJSON

Copyright © 2015 THL A29 Limited, a Tencent company, and Milo Yip. All rights reserved.

If you have downloaded a copy of the RapidJSON binary from Tencent, please note that the RapidJSON binary is licensed under the MIT License.

If you have downloaded a copy of the RapidJSON source code from Tencent, please note that RapidJSON source code is licensed under the MIT License, except for the third-party components listed below which are subject to different license terms. Your integration of RapidJSON into your own projects may require compliance with the MIT License, as well as the other licenses applicable to the third-party components included within RapidJSON. To avoid the problematic JSON license in your own projects, it's sufficient to exclude the `bin/jsonchecker/` directory, as it's the only code under the JSON license.

A copy of the MIT License is included in this file.

Other dependencies and licenses:

Open Source Software Licensed Under the BSD License:

The msinttypes r29

Copyright © 2006-2013 Alexander Chemeris

All rights reserved.

Redistribution and use in source and binary forms, with or without modification, are permitted provided that the following conditions are met:

- Redistributions of source code must retain the above copyright notice, this list of conditions and the following disclaimer.
- Redistributions in binary form must reproduce the above copyright notice, this list of conditions and the following disclaimer in the documentation and/or other materials provided with the distribution.
- Neither the name of copyright holder nor the names of its contributors may be used to endorse or promote products derived from this software without specific prior written permission.

THIS SOFTWARE IS PROVIDED BY THE REGENTS AND CONTRIBUTORS ``AS IS" AND ANY EXPRESS OR IMPLIED WARRANTIES, INCLUDING, BUT NOT LIMITED TO, THE IMPLIED WARRANTIES OF MERCHANTABILITY AND FITNESS FOR A PARTICULAR PURPOSE ARE DISCLAIMED. IN NO EVENT SHALL THE REGENTS AND CONTRIBUTORS BE LIABLE FOR ANY DIRECT, INDIRECT, INCIDENTAL, SPECIAL, EXEMPLARY, OR CONSEQUENTIAL DAMAGES (INCLUDING, BUT NOT LIMITED TO, PROCUREMENT OF SUBSTITUTE GOODS OR SERVICES; LOSS OF USE, DATA, OR PROFITS; OR BUSINESS INTERRUPTION) HOWEVER CAUSED AND ON ANY THEORY OF LIABILITY, WHETHER IN CONTRACT, STRICT LIABILITY, OR TORT (INCLUDING NEGLIGENCE OR OTHERWISE) ARISING IN ANY WAY OUT OF THE USE OF THIS SOFTWARE, EVEN IF ADVISED OF THE POSSIBILITY OF SUCH DAMAGE.

Open Source Software Licensed Under the JSON License:

json.org

Copyright © 2002 JSON.org
All Rights Reserved.

JSON_checker
Copyright © 2002 JSON.org
All Rights Reserved.

Terms of the JSON License:

Permission is hereby granted, free of charge, to any person obtaining a copy of this software and associated documentation files (the "Software"), to deal in the Software without restriction, including without limitation the rights to use, copy, modify, merge, publish, distribute, sublicense, and/or sell copies of the Software, and to permit persons to whom the Software is furnished to do so, subject to the following conditions:

The above copyright notice and this permission notice shall be included in all copies or substantial portions of the Software.

The Software shall be used for Good, not Evil.

THE SOFTWARE IS PROVIDED "AS IS", WITHOUT WARRANTY OF ANY KIND, EXPRESS OR IMPLIED, INCLUDING BUT NOT LIMITED TO THE WARRANTIES OF MERCHANTABILITY, FITNESS FOR A PARTICULAR PURPOSE AND NONINFRINGEMENT. IN NO EVENT SHALL THE AUTHORS OR COPYRIGHT HOLDERS BE LIABLE FOR ANY CLAIM, DAMAGES OR OTHER LIABILITY, WHETHER IN AN ACTION OF CONTRACT, TORT OR OTHERWISE, ARISING FROM, OUT OF OR IN CONNECTION WITH THE SOFTWARE OR THE USE OR OTHER DEALINGS IN THE SOFTWARE.

Terms of the MIT License:

Permission is hereby granted, free of charge, to any person obtaining a copy of this software and associated documentation files (the "Software"), to deal in the Software without restriction, including without limitation the rights to use, copy, modify, merge, publish, distribute, sublicense, and/or sell copies of the Software, and to permit persons to whom the Software is furnished to do so, subject to the following conditions:

The above copyright notice and this permission notice shall be included in all copies or substantial portions of the Software.

THE SOFTWARE IS PROVIDED "AS IS", WITHOUT WARRANTY OF ANY KIND, EXPRESS OR IMPLIED, INCLUDING BUT NOT LIMITED TO THE WARRANTIES OF MERCHANTABILITY, FITNESS FOR A PARTICULAR PURPOSE AND NONINFRINGEMENT. IN NO EVENT SHALL THE AUTHORS OR COPYRIGHT HOLDERS BE LIABLE FOR ANY CLAIM, DAMAGES OR OTHER LIABILITY, WHETHER IN AN ACTION OF CONTRACT, TORT OR OTHERWISE, ARISING FROM, OUT OF OR IN CONNECTION WITH THE SOFTWARE OR THE USE OR OTHER DEALINGS IN THE SOFTWARE.