



TAGLOCK[™] **Circuit Breaker** **Securing Devices**

Brady Safety **Padlocks**





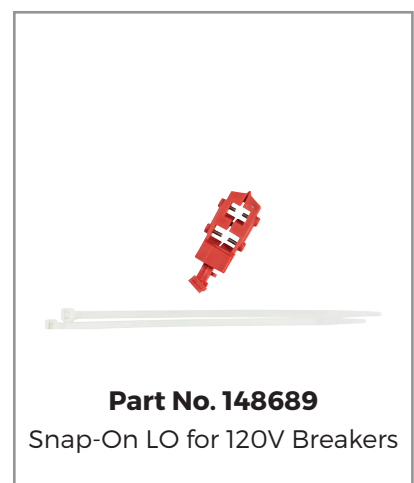
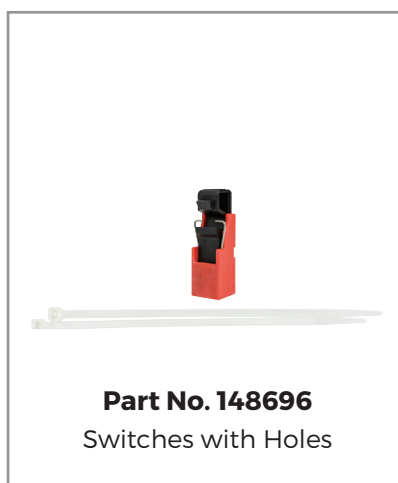
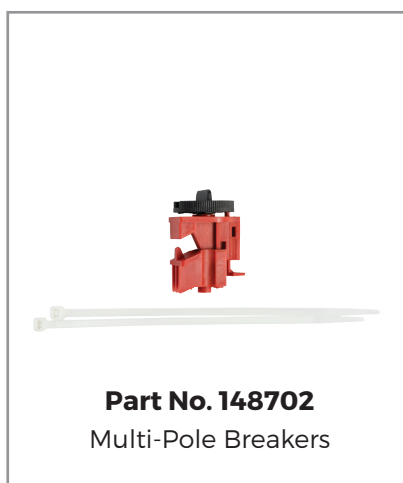
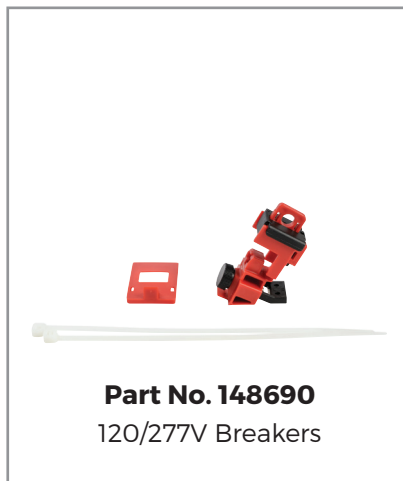


TAGLOCK™ Circuit Breaker Securing Devices

Step up safety and compliance with physically secure tagout for up to four workers.

With Brady's TAGLOCK™ circuit breaker securing devices, your maintenance team members can individually tag and secure each circuit breaker for improved safety and compliance. These devices are secured to circuit breakers with standard non-releasable 50-pound minimum strength nylon cable ties.

TAGLOCK products include:



Tagout Plus Physical Restraint Protection for Multiple Workers

TAGLOCK offers:

- ▶ **Easy installation** onto the breaker switch with nylon cable tie and worker's ID tag
- ▶ **Multiple worker tagging capabilities** for up to 4 workers to separately secure each TAGLOCK
- ▶ **Individual positive restraint** so that the TAGLOCK remains secured until each worker has personally removed their cable tie and tag
- ▶ **Pre-loadable tags** allow the lead worker to prepare and pre-load his/her ID tags in advance, then secure the TAGLOCK devices onto the breaker switches
- ▶ **More convenient lockout tagout option** may eliminate the need to use any locks*, although all TAGLOCK devices also accept a lock
- ▶ **Space-efficient and light weight** design enables securing small breakers in the tight space of electrical panel boards
- ▶ **Same great range of fit** on all primary circuit breakers as Brady's original line of circuit breaker lockouts

* When properly attached and secured to an energy-isolating circuit breaker, TAGLOCK™ devices provide a positive restraint to hold the breaker switch in the safe de-energised position. All lockout tagout products should be used in accordance with a comprehensive documented lockout tagout program that includes the use of controls, thorough lockout procedures and careful training, combined with the assurance of employee accountability.

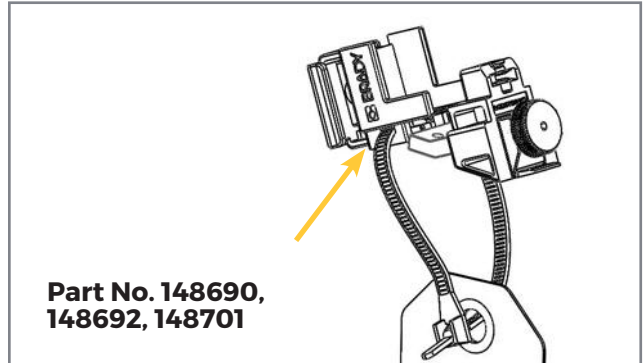
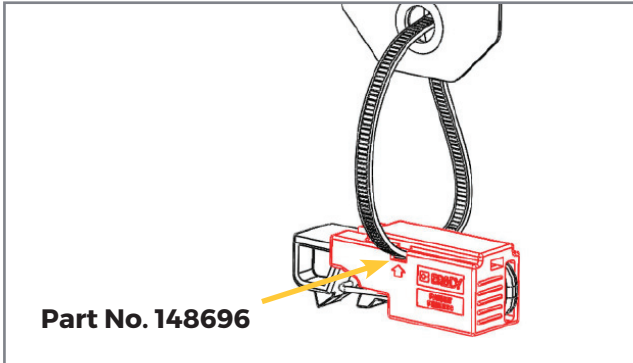




How to Attach

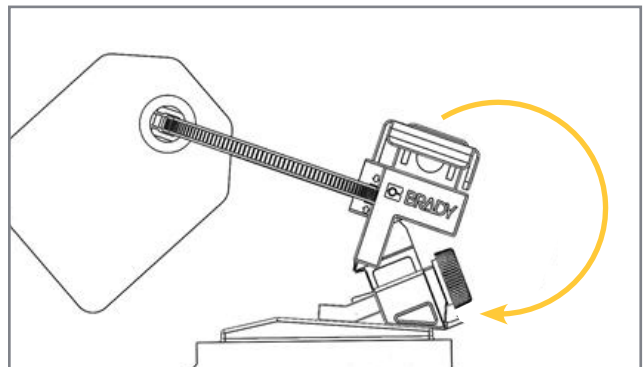
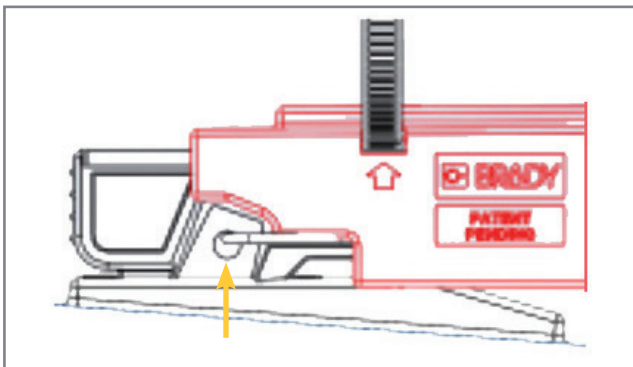
STEP 1

Insert Cable Tie



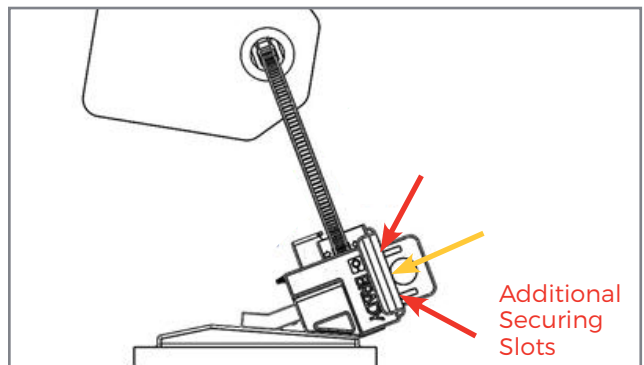
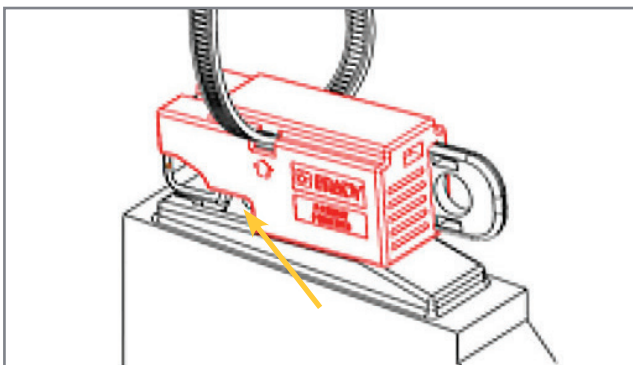
STEP 2

Position Over Circuit Breaker



STEP 3

Slide Cover Forward to Close 1-Way Locking Mechanism



Brady Safety Padlocks: The Right Lock for Every Safety Lockout Need

Brady Safety Padlocks: The Right Lock for Every Safety Lockout Need

The only true electrically non-conductive safety lock with lightweight, fibreglass reinforced nylon body.

- ▶ Patented, high-precision 6-pin cylinder for greater key integrity
- ▶ OO Key-retaining feature, 1 key; Eng/Fr/Sp Danger labels
- A** Compact size with alum. shackle is ideal for circuit breaker applications
- B** Standard size with 1-piece body & steel shackle
- C** Standard size with non-conductive nylon shackle
- D** Tall body size for bi-lingual labels & high visibility
- E** Compact cable padlock for flexibility in electrical panel boards

Available colours: 

Brady Aluminum Safety Locks

Lightweight, corrosion-resistant anodised finish.

- ▶ Same patented, restricted 6-pin cylinder for greater key integrity
- ▶ OO Removable key operation, 2 keys
- F** Compact size great for circuit breaker applications
- G** Standard size with steel shackle for safety & security

Available colours: 

Brady Laminated Steel Safety Locks

Superior corrosion-resistance to competitive alternatives, with shorter lock for lighter weight.

- ▶ High precision 5-pin cylinder for more key differs than competitors
- ▶ Key-retaining feature, standard 1 key
- H** Laminated steel safety lock

Available colours: 



Keyed Different

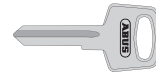


Keyed Alike Set 1



KA1 Key all locks in
KA Set 1 open with same key

Keyed Alike Set 2



KA2 Key all locks in
KA Set 2 open with same key



Master Key
all locks in KA Set 1 and KA Set 2
open with master key

Additional Electrical Lockout and Training Products Include:



- ▶ Twist and Secure™ Push Button & E-Stop Safety Cover
- ▶ Global Best Practice Lockout Training USB Video
- ▶ SAFELEX™ Universal Cable Lockout
- ▶ Wall Switch Lockout
- ▶ Electric Plug Lockout
- ▶ Labeled Group Lockout Hasp
- ▶ Heavy Duty Polyester Tags (22kg plus strength)
- ▶ Economy Polyester Tags (22kg plus strength)
- ▶ Nylon Fasteners Part No. 81762 (22kg plus strength)

Brady Australia Pty Ltd
2 Bellevue Circuit
Greystanes NSW 2145
1800 620 816
bradyid.com.au