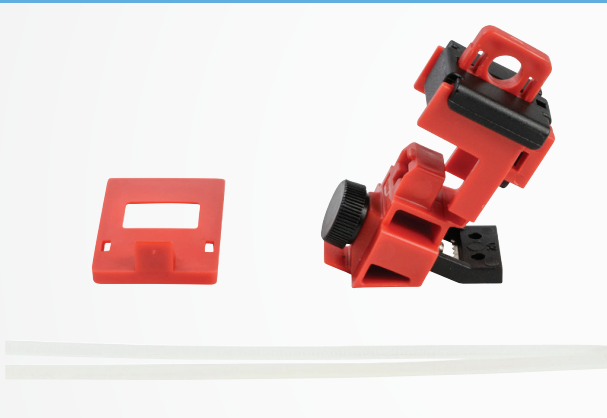


# TAGLOCK™ SECURING DEVICE FOR 120/277V BREAKER

PART NO. 148690 (EACH) and 148698 (PACK 6)



## DESIGN

- ▶ Extremely versatile device, works on a wide range of single-pole breakers
- ▶ Secure with 22.5kg minimum strength non-releasable nylon fasteners (shown) or padlock
- ▶ Made of rugged polypropylene and impact modified nylon
- ▶ Use thumbscrew to clamp lockout securely onto switch tongue, then pull cover over thumbscrew and lock in place to prevent clamp from being loosened
- ▶ Blade design provides tighter grip with less torque on thumbscrew
- ▶ Accepts lock shackles up to 9/32" in diameter, and comes with detachable cleats to expand the range of applicable breakers

## MATERIAL

- ▶ Taglock, Cleat and Body - Polypropylene
- ▶ Colour: Body Red (PMS 1805C)
- ▶ Slide, Slidelock and Thumbscrew - Glass-filled Nylon
- ▶ Colour: Black
- ▶ Screw and Blade - Stainless Steel
- ▶ UL Rating: UL 94 - HB

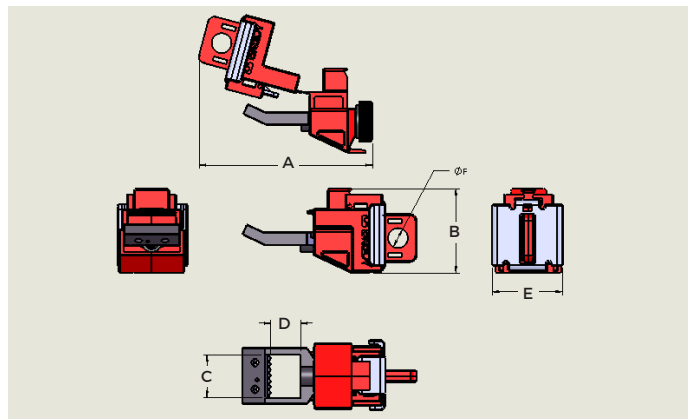
## TEMPERATURE RANGE

- ▶ Polypropylene Housing: -20° to 80°C (0° to 175°F)
- ▶ Glass-filled Nylon: -20° to 120°C (0° to 250°F)

## CHEMICAL RESISTANCE

- ▶ All approved chemicals listed are based on the manufactures specified chemical resistance chart for plastic material only.

Chemical	°C	Chemical	°C
Acetone	25	Petroleum	25
Acetone	60	Turpentine oil	25
Chlorine, chlorine water	25	Turpentine substitute (white spirit)	25
Fuel, engine: Gasoline (normal & premium grade)	85	Trichloroethane 1,1,1	45
Lubrication oil: gear oil	<120	Lubricating oil: HD engine oils, hydraulic oils, transformer oils	<120
Fuel, engine: M15 mixture (15% methanol)	70	Water (including seawater)	25
Methanol	25	Water (including seawater), chlorinated (<0,5 mg/l)	80



## DIMENSIONS

"A"	-	66.71mm
"B"	-	32.3mm
"C"	-	16.5mm
"D"	-	11.3mm
"E"	-	27.02mm
"F"	-	7.66mm

# TAGLOCK™ SECURING DEVICE FOR 120/277V BREAKER

PART NO. 148690 (EACH) and 148698 (PACK 6)

## WARRANTY

Note: All values shown are averages and should not be used for specification purposes. Test data and test results contained in this document are for general information only and shall not be relied upon by Brady customers for designs and specifications, or be relied on as meeting specified performance criteria. Customers desiring to develop specifications or performance criteria for specific product applications should contact Brady for further information. Product compliance information is based upon information provided by suppliers of the raw materials used by Brady to manufacture this product or based on results of testing using recognized analytical methods performed by a third party, independent laboratory. As such, Brady makes no independent representations or warranties expressed or implied, and assumes no liability in connection with the use of this information.

## CIRCUIT BREAKER CROSS REFERENCE GUIDE

Circuit Breaker Manufacture	Breaker Type	No. of Poles	Circuit Breaker Manufacture	Breaker Type	No. of Poles	Circuit Breaker Manufacture	Breaker Type	No. of Poles	Circuit Breaker Manufacture	Breaker Type	No. of Poles
American Crk Brk	NEF	3	Cutler Hammer	QHCX	1	General Electric	TQL-S	1	Square D	KCL	2-3
American Switch	C	1	Cutler Hammer	QHPW	1	Heinemann	LB	1	Square D	KH	2-3
Bryant	BR	1	Cutler Hammer	QHPX	1	Heinemann	LF	1	Square D	KHL	3
Challenger	C	1	Cutler Hammer	QPGF	1	Heinemann	LI	1	Square D	KI	2-3
Challenger	LM	1	Cutler Hammer	QPGFED	1	Lemag	SD62	1	Square D	KIL	3
Challenger	NEJ	1-2	Cutler Hammer	QPHGF	1	Merlin Gerin	CE104N	3	Square D	Q1B	2-3
Cutler Hammer	BA	1	Cutler Hammer	QPHGFEP	2	Siemens ITE	BL	1	Square D	Q1L	2-3
Cutler Hammer	BAB	1	Cutler Hammer	QPHW	1	Siemens ITE	BLH	1	Square D	Q2	2-3
Cutler Hammer	BD	1	Fed. Pacific Elec	BAB	1	Siemens ITE	BQ	1	Square D	Q2H	2-3
Cutler Hammer	BR	1	Fed. Pacific Elec	NB	1	Siemens ITE	BQCH	1-3	Square D	Q2I	2-3
Cutler Hammer	BRH	1	Fed. Pacific Elec	NBH HFI	1	Siemens ITE	BQD	1-3	Square D	Q2MT	2-3
Cutler Hammer	CC	3	Fed. Pacific Elec	NE/NEF	1-3	Siemens ITE	BQH	1	Square D	QO	2-3
Cutler Hammer	CH	1	Fed. Pacific Elec	NEJ	1-3	Siemens ITE	CED6	2-3	Square D	QOB	2-3
Cutler Hammer	CHH	3	Fed. Pacific Elec	NFJ	1-3	Siemens ITE	CQD	1-3	Square D	QOB-VH	1
Cutler Hammer	CHB	1	Fed. Pacific Elec	NP-SINGLE	1	Siemens ITE	E2	1-3	Square D	QOM1-VH	2
Cutler Hammer	CHP	1	Frank Adams	P	1	Siemens ITE	E4	1-3	Square D	QOM2-VH	2
Cutler Hammer	CL	1	FUJI Electric	EA53B	3	Siemens ITE	ED	1-3	Square D	QO-SWN	2-3
Cutler Hammer	CSR	1	FUJI Electric	FA203B	3	Siemens ITE	ED4	1-3	Square D	QOU	2-3
Cutler Hammer	E125B	1-4	FUJI Electric	BU-ESB	3	Siemens ITE	ED6	1-3	Square D	QO-VH	2-3
Cutler Hammer	E125E	1-4	FUJI Electric	BU-ESA	3	Siemens ITE	ED6-ETI	3	Thomas & Betts	F-Frame	1-3
Cutler Hammer	E125H	1-4	FUJI Electric	BU-FSB	3	Siemens ITE	EE3	3	Toshiba	E225B	3
Cutler Hammer	E125S	1-4	General Electric	HQC	3	Siemens ITE	EH3	3	Westinghouse	BA	1-3
Cutler Hammer	ED	2-4	General Electric	SED	2-3	Siemens ITE	ET	3	Westinghouse	BAB	1-3
Cutler Hammer	EDC	2-4	General Electric	SEH	2-3	Siemens ITE	FJ2-B	2-3	Westinghouse	BR	1-3
Cutler Hammer	EDH	2-4	General Electric	SEL	2-3	Siemens ITE	GF	1	Westinghouse	CA	
Cutler Hammer	EFH	1-4	General Electric	SEP	2-3	Siemens ITE	HBL	1	Westinghouse	EB	1-3
Cutler Hammer	EGB	1-4	General Electric	SFH	2-3	Siemens ITE	HBQ	1	Westinghouse	ED	
Cutler Hammer	EGE	1-4	General Electric	SFL	2-3	Siemens ITE	HE4	1-3	Westinghouse	EH	1-3
Cutler Hammer	EGS	1-4	General Electric	SFP	2-3	Siemens ITE	HED4	1-3	Westinghouse	FHR	1-3
Cutler Hammer	EHC	1-4	General Electric	TB	2	Siemens ITE	HED6	2-3	Westinghouse	EHD	1-3
Cutler Hammer	EHD	1-4	General Electric	TBC	2	Siemens ITE	HHED6	2-3	Westinghouse	FA	3
Cutler Hammer	FB	2-3	General Electric	TE	1-3	Siemens ITE	HQJ2-H	3	Westinghouse	FB	2-3
Cutler Hammer	FC	1-4	General Electric	TEB	1-3	Siemens ITE	HQP	1	Westinghouse	FD	1-4
Cutler Hammer	FD	1-4	General Electric	TED	1-3	Siemens ITE	HQPP	1	Westinghouse	FDB	2-4
Cutler Hammer	FDB	2-4	General Electric	TEF	1-3	Siemens ITE	QJ2	2-3	Westinghouse	FDC	2-4
Cutler Hammer	FDC	2-4	General Electric	TEL	3	Siemens ITE	QJ2-H	2-3	Westinghouse	GB	1-3
Cutler Hammer	FS	2-3	General Electric	TEML	3	Siemens ITE	QJH2	2-3	Westinghouse	GBH	1-3
Cutler Hammer	GB	1-3	General Electric	TEY	1-3	Siemens ITE	QP	1	Westinghouse	GHB	1-3
Cutler Hammer	GC	1-3	General Electric	TF	1-3	Siemens ITE	QP1	1	Westinghouse	HBAW	1
Cutler Hammer	GD	1-3	General Electric	TFC	3	Siemens ITE	QPH	1	Westinghouse	HBAX	1
Cutler Hammer	GDB	1-3	General Electric	THED	1-3	Siemens ITE	QPP	1	Westinghouse	HCA	3
Cutler Hammer	GHB	1-3	General Electric	THEF	1-3	Siemens ITE	QPPH	1	Westinghouse	HFB	1-3
Cutler Hammer	GHBGFEP	1	General Electric	THHQB-A	1	Siemens ITE	3VF3	3	Westinghouse	HFD	1-4
Cutler Hammer	GHC	1-3	General Electric	THHQB-S	1	Square D	EDB	1-3	Westinghouse	HMCP	
Cutler Hammer	GHCGFEP	1	General Electric	THHQC-A	1	Square D	ECB	1-3	Westinghouse	HQNP	3
Cutler Hammer	HBAX	1	General Electric	THHQC-S	1	Square D	EH4	1-3	Westinghouse	HQP	1
Cutler Hammer	HFD	1	General Electric	THHL-A	1	Square D	EBH	1-3	Westinghouse	MCPO	3
Cutler Hammer	HGHB	1	General Electric	THHQL-S	1	Square D	EJB	1-3	Westinghouse	P	3
Cutler Hammer	HGHC	1	General Electric	THLCI	3	Square D	FA	1-3	Westinghouse	QBHW	1
Cutler Hammer	HMCP	2-3	General Electric	THQB-A	1	Square D	FAL	1-3	Westinghouse	QC	1
Cutler Hammer	HQP	1	General Electric	THQB-S	1	Square D	FC	3	Westinghouse	QCHQ	1
Cutler Hammer	QBGF	1	General Electric	THQC-A	1	Square D	FCL	2-3	Westinghouse	QHCW	1
Cutler Hammer	QBGFEP	1	General Electric	THQC-S	1	Square D	FDA		Westinghouse	QPHW	1
Cutler Hammer	QBHCF	1	General Electric	THQD	2-3	Square D	FH	1-3	Westinghouse	QPHW	1
Cutler Hammer	QBHGFEP	1	General Electric	THQL-A	1	Square D	FHL	1-3	Westinghouse	QC	1
Cutler Hammer	QBHW	1	General Electric	THQL-S	1	Square D	FHL-DC	3	Westinghouse	QCHQ	1
Cutler Hammer	QC	1	General Electric	TJC	2-3	Square D	FHP	3	Westinghouse	QHCW	1
Cutler Hammer	QCD	1	General Electric	TKC	3	Square D	FI	3	Westinghouse	QHCX	1
Cutler Hammer	QCQF	1	General Electric	TQB-A	1	Square D	FIL	3	Westinghouse	QHPW	1
Cutler Hammer	QCQFEP	1	General Electric	TQB-S	1	Square D	FY	1	Westinghouse	Quicktag P	-
Cutler Hammer	QCHCF	1	General Electric	TQC-A	1	Square D	GJL	3	Westinghouse	RE	-
Cutler Hammer	QCHGFEP	1	General Electric	TQC-S	1	Square D	KA	2-3	Westinghouse	WPHX	1
Cutler Hammer	QCHW	1	General Electric	TQD	2-3	Square D	KAL	2-3	Zinsco	HQB	6
Cutler Hammer	QHCW	1	General Electric	TQL-A	1	Square D	KC	2-3	Zinsco	QB	1



# TAGLOCK™ SECURING DEVICE FOR 120/277V BREAKER

PART NO. 148690 (EACH) and 148698 (PACK 6)

## MSDS Information

### 1. HAZARDS IDENTIFICATION

This product is NOT DANGEROUS and contains no hazardous ingredients.

### 2. FIRST AID MEASURES/HEALTH INFORMATION /PROTECTION

Eye Contact:	Not applicable, product is inert
Ingestion:	Not applicable, first aid is not normally required.
Inhalation:	Not applicable
Skin Contact:	Not applicable, product is inert, except if product is melted use gloves. For hot melted product, immerse in or flush affected area with water to dissipate heat, and then obtain medical attention.
Exposure Limits:	None
Threshold Limits:	None
Personal Protection:	None (ambient conditions)
NPCA-HMIS Rating:	Health: 0; Flammability: 1; Reactivity: 0
NFPA-704 Rating:	Health: 0; Flammability: 1; Reactivity: 0

### 3. FIRE-FIGHTING MEASURES

- ▶ Be cautious of hot melted Nylon
- ▶ Isolate product from fire
- ▶ Extinguish fire with water spray
- ▶ Use water spray to cool fire, exposed surfaces, and to protect personnel
- ▶ Respiratory and eye protection is required for fire fighting personnel
- ▶ Decomposition products under fire conditions: Oxygen-lean conditions may cause monoxide and irritating smoke

### 4. ACCIDENTAL RELEASE MEASURES

Land	Recover material and place in suitable container for reuse or for disposal in conformance with local regulations.
Water	Recover material and place in suitable container for reuse or for disposal in conformance with local regulations.

### 5. HANDLING AND STORAGE

- |   |   |
|---|---|
| <p>5.1 Handling<br/>No precautions noted-see local regulation if needed</p> | <p>5.2 Storage<br/>Storage pressure: Atmospheric<br/>Storage temperature: Ambient, no direct sunlight</p> |
|---|---|

### 6. EXPOSURE CONTROLS/PERSONAL PROTECTION

- |   |  |
|---|--|
| <p>6.1 Exposure limit values<br/>None</p> | <p>6.2 Exposure Controls<br/>6.2.1 Occupational Exposure Controls<br/>6.2.1.1 Respiratory Protection: Not applicable<br/>6.2.1.2 Hand Protection: Not applicable<br/>6.2.1.3 Eye Protection: Not applicable<br/>6.2.1.4 Skin Protection: Not applicable<br/>6.2.2 Environmental Exposure Controls: No data available</p> |
|---|--|

### 7. PHYSICAL AND CHEMICAL PROPERTIES

General Information	
Other Information	

### 8. STABILITY AND REACTIVITY

- |  |   |
|--|---|
| <p>8.1 Conditions to Avoid<br/>Higher Temperatures and direct sunlight (chemical resistance is excellent)<br/>Highly stable, but temperatures over 480°F may cause degradation</p> <p>8.2 Materials to Avoid<br/>No data available</p> | <p>8.3 Hazardous Decomposition Products<br/>Under fire and oxygen-lean conditions may cause monoxide and irritating smoke</p> |
|--|---|



# TAGLOCK™ SECURING DEVICE FOR 120/277V BREAKER

PART NO. 148690 (EACH) and 148698 (PACK 6)

## MSDS Information (continued)

### 9. ECOLOGICAL INFORMATION

9.1 Ecotoxicity	No data available
9.2 Mobility	No data available
9.3 Persistence and Degradability	No data available
9.4 Bioaccumulative Potential	No data available
9.5 Other Adverse Effects	No data available

### 10. DISPOSAL CONSIDERATIONS

None of the materials in this product are Recyclable, dispose of all materials in accordance with an applicable federal, state, and local law.

### 11. TRANSPORT INFORMATION

No data available

### 12. REGULATORY INFORMATION

This product has been tested and validated to the Regulatory Requirements listed below:

- ▶ OSHA 29 CFR 1910.147 ©(4)(ii)(A)(1)/(c)(5)(ii)(C)(1)
- ▶ ANSI Standard Z244

### 13. OTHER INFORMATION

No data available

**Brady Australia Pty Ltd**  
2 Bellevue Circuit  
Greystanes NSW 2145  
1800 620 816  
bradyid.com.au