



TAGLOCK™ SECURING DEVICE FOR SINGLE POLE BREAKERS

PART NO. 148696 (EACH) & 148688 (PACK 6)



DESIGN

- ▶ For use on Square D NQO and other breakers that have a hole in the switch tongue
- ▶ Align pins with hole and snap closed, where the pins are preventing the switch from being moved to the "ON" position
- ▶ Secure with 50 lb. minimum strength non-releasable nylon fasteners (shown) or padlock
- ▶ Made of impact modified nylon

MATERIAL

- ▶ Slide, Residential - Glass filled Nylon
- ▶ Colour: Red, PMS 1805 C
- ▶ Body - Glass-filled Nylon
- ▶ Colour: Black
- ▶ Spring form - stainless steel
- ▶ Fastener - Nylon
- ▶ UL Rating: UL 94 - HB

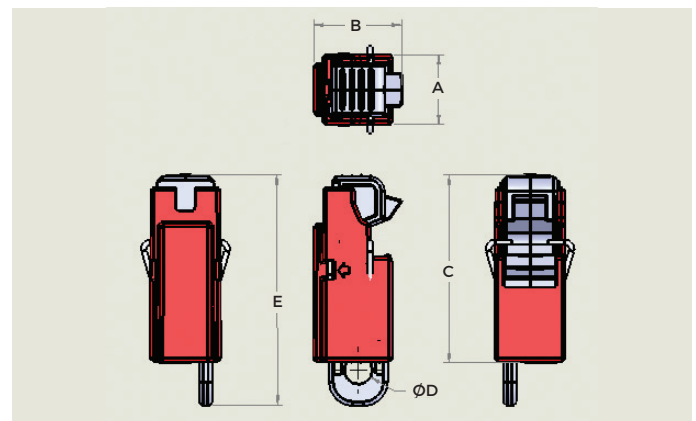
TEMPERATURE RANGE

- ▶ Glass-filled Nylon: -20° to 120°C (0° to 250°F)

CHEMICAL RESISTANCE

- ▶ All approved chemicals listed are based on the manufactures specified chemical resistance chart for plastic material only.

Chemical	°C	Chemical	°C
Acetone	25	Petroleum	25
Acetone	60	Turpentine oil	25
Chlorine, chlorine water	25	Turpentine substitute (white spirit)	25
Fuel, engine: Gasoline (normal & premium grade)	85	Trichloroethane 1,1,1	45
Lubrication oil: gear oil	<120	Lubricating oil: HD engine oils, hydraulic oils, transformer oils	<120
Fuel, engine: M15 mixture (15% methanol)	70	Water (including seawater)	25
Methanol	25	Water (including seawater), chlorinated (<0,5 mg/l)	80



DIMENSIONS

"A"	-	18.8mm
"B"	-	23.7mm
"C"	-	50.6mm
"D"	-	7.6mm
"E"	-	62.1mm



TAGLOCK™ SECURING DEVICE FOR SINGLE POLE BREAKERS

PART NO. 148696 (EACH) & 148688 (PACK 6)

WARRANTY

Note: All values shown are averages and should not be used for specification purposes. Test data and test results contained in this document are for general information only and shall not be relied upon by Brady customers for designs and specifications, or be relied on as meeting specified performance criteria. Customers desiring to develop specifications or performance criteria for specific product applications should contact Brady for further information. Product compliance information is based upon information provided by suppliers of the raw materials used by Brady to manufacture this product or based on results of testing using recognized analytical methods performed by a third party, independent laboratory. As such, Brady makes no independent representations or warranties, expressed or implied, and assumes no liability in connection with the use of this information.

CIRCUIT BREAKER CROSS REFERENCE GUIDE

Circuit Breaker Manufacture	Breaker Type	No. of Poles
American Switch	C	1
Cutler Hammer	CH	1
Cutler Hammer	CHB	1
Cutler Hammer	CHP	1
Cutler Hammer	CHQ	1
Cutler Hammer	CL	1
Siemens ITE	BL	1
Square D	QO	1
Square D	QO	2-3
Square D	QOB	1
Square D	QOB	2-32
Square D	QOB-H	2
Square D	QOB-VH	1
Square D	QO	2
Square D	QO-SWN	2-3
Square D	QOU	1
Square D	QOU	2-3
Square D	QO-VH	1
Square D	QO-VH	2-3
Square D	QYU	1



TAGLOCK™ SECURING DEVICE FOR SINGLE POLE BREAKERS

PART NO. 148696 (EACH) & 148688 (PACK 6)

MSDS Information

1. HAZARDS IDENTIFICATION

This product is NOT DANGEROUS and contains no hazardous ingredients.

2. FIRST AID MEASURES/HEALTH INFORMATION /PROTECTION

Eye Contact:	Not applicable, product is inert
Ingestion:	Not applicable, first aid is not normally required.
Inhalation:	Not applicable
Skin Contact:	Not applicable, product is inert, except if product is melted use gloves. For hot melted product, immerse in or flush affected area with water to dissipate heat, then obtain medical attention.
Exposure Limits:	None
Threshold Limits:	None
Personal Protection:	None (ambient conditions)
NPCA-HMIS Rating:	Health: 0; Flammability: 1; Reactivity: 0
NFPA-704 Rating:	Health: 0; Flammability: 1; Reactivity: 0

3. FIRE-FIGHTING MEASURES

- ▶ Be cautious of hot melted Nylon
- ▶ Isolate product from fire
- ▶ Extinguish fire with water spray
- ▶ Use water spray to cool fire, exposed surfaces, and to protect personnel
- ▶ Respiratory and eye protection is required for fire fighting personnel
- ▶ Decomposition products under fire conditions: Oxygen-lean conditions may cause monoxide and irritating smoke

4. ACCIDENTAL RELEASE MEASURES

Land	Recover material and place in suitable container for reuse or for disposal in conformance with local regulations.
Water	Recover material and place in suitable container for reuse or for disposal in conformance with local regulations.

5. HANDLING AND STORAGE

- | | |
|---|---|
| <p>5.1 Handling
No precautions noted-see local regulation if needed</p> | <p>5.2 Storage
Storage pressure: Atmospheric
Storage temperature: Ambient, no direct sunlight</p> |
|---|---|

6. EXPOSURE CONTROLS/PERSONAL PROTECTION

- | | |
|---|--|
| <p>6.1 Exposure limit values
None</p> | <p>6.2 Exposure Controls
6.2.1 Occupational Exposure Controls
6.2.1.1 Respiratory Protection: Not applicable
6.2.1.2 Hand Protection: Not applicable
6.2.1.3 Eye Protection: Not applicable
6.2.1.4 Skin Protection: Not applicable
6.2.2 Environmental Exposure Controls: No data available</p> |
|---|--|

7. PHYSICAL AND CHEMICAL PROPERTIES

General Information	
Other Information	



TAGLOCK™ SECURING DEVICE FOR SINGLE POLE BREAKERS

PART NO. 148696 (EACH) & 148688 (PACK 6)

MSDS Information (continued)

8. STABILITY AND REACTIVITY

- | | |
|---|---|
| 8.1 Conditions to Avoid
Higher Temperatures and direct sunlight (chemical resistance is excellent)
Highly stable, but temperatures over 480 F may cause degradation | 8.3 Hazardous Decomposition Products
Under fire and oxygen-lean conditions may cause monoxide and irritating smoke |
| 8.2 Materials to Avoid
No data available | |

9. ECOLOGICAL INFORMATION

- | | |
|-----------------------------------|-------------------|
| 9.1 Ecotoxicity | No data available |
| 9.2 Mobility | No data available |
| 9.3 Persistence and Degradability | No data available |
| 9.4 Bioaccumulative Potential | No data available |
| 9.5 Other Adverse Effects | No data available |

10. DISPOSAL CONSIDERATIONS

None of the materials in this product are Recyclable, dispose of all materials in accordance with an applicable federal, state, and local law.

11. TRANSPORT INFORMATION

No data available

12. REGULATORY INFORMATION

This product has been tested and validated to the Regulatory Requirements listed below:

- ▶ OSHA 29 CFR 1910.147 ©(4)(ii)(A)(1)/(c)(5)(ii)(C)(1)
- ▶ ANSI Standard Z244

13. OTHER INFORMATION

No data available

Brady Australia Pty Ltd
2 Bellevue Circuit
Greystanes NSW 2145
1800 620 816
bradyid.com.au